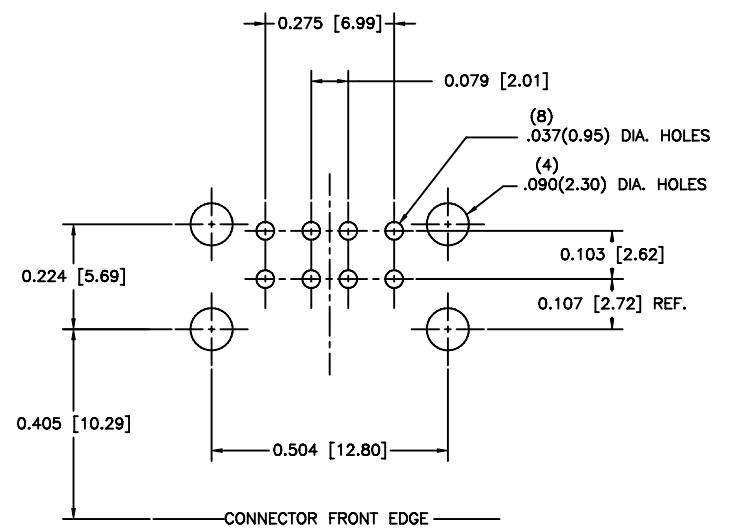
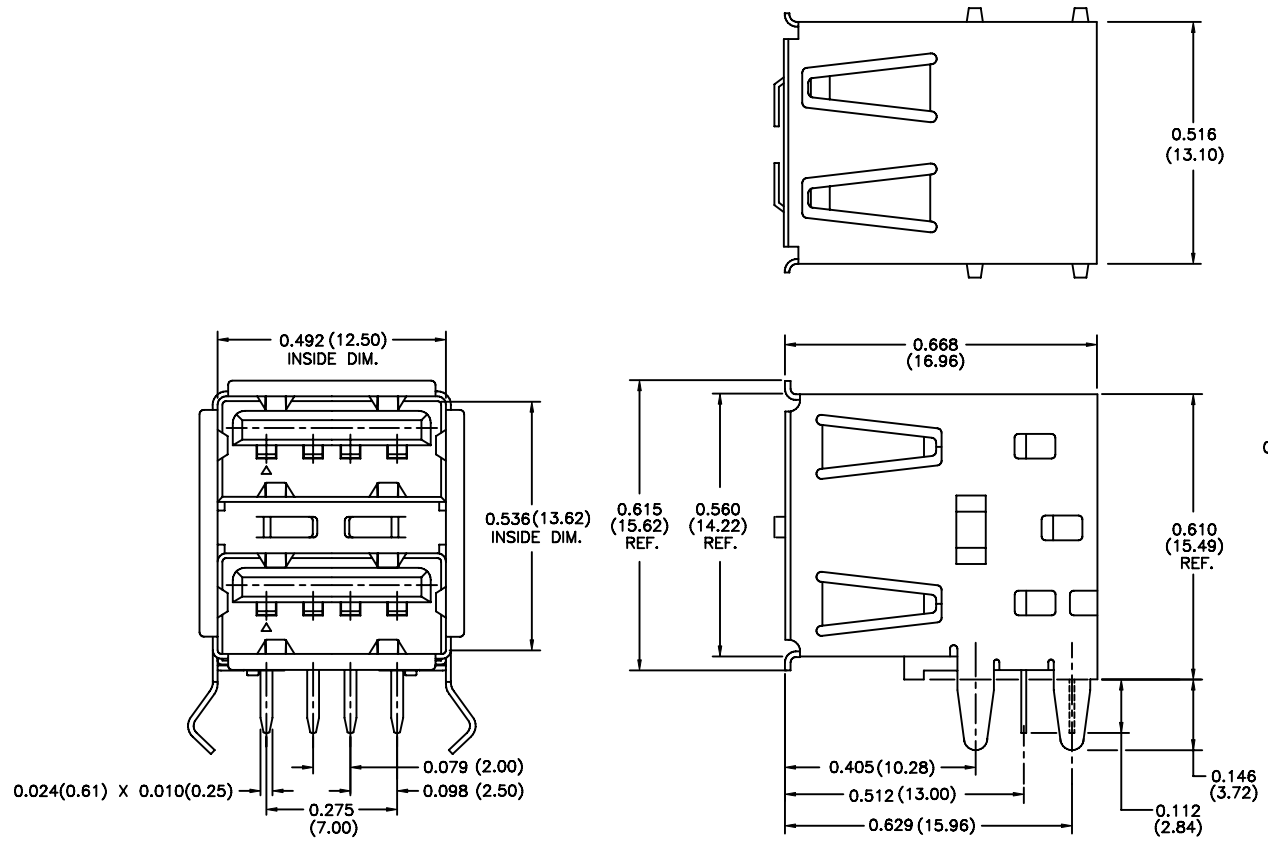


ISSUE NUMBER	
ORIGINAL	①
RE-DWG AS PER LATEST INF. F.BRIONES OCT.21/09	⑨



THIS SERIES FULLY CONFORMS TO THE EUROPEAN UNION DIRECTIVES 2002/95/EC AND 2002/96/EC FOR RoHS COMPLIANCY.

<b>EDAC</b> EDAC INC TORONTO, ONTARIO CANADA YOUR CONNECTION TO QUALITY & SERVICE	THESE DRAWINGS AND SPECIFICATIONS ARE THE PROPERTY OF EDAC INC. AND SHALL NOT BE REPRODUCED, OR COPIED OR USED AS THE BASIS FOR THE MANUFACTURE OR SALE OF APPARATUS WITHOUT WRITTEN PERMISSION.	
	ACAD REFERENCE NO.	690-008-221-013
	DRAWN:	F.BRIONES DATE: OCT.21/09
	CHECKED:	DATE:
	SCALE: N.T.S.	SHEET 1 OF 1
DRAWING NUMBER	690-008-221-013	ISSUE
		9