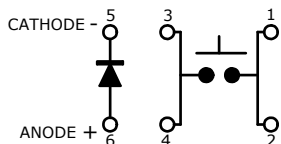
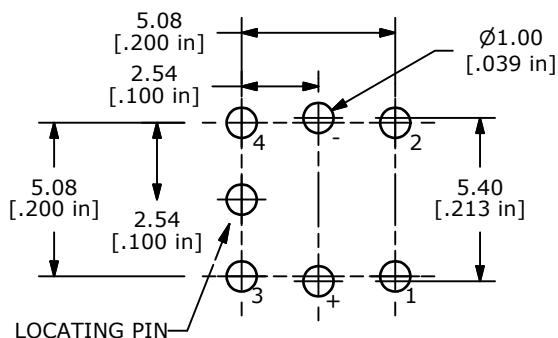


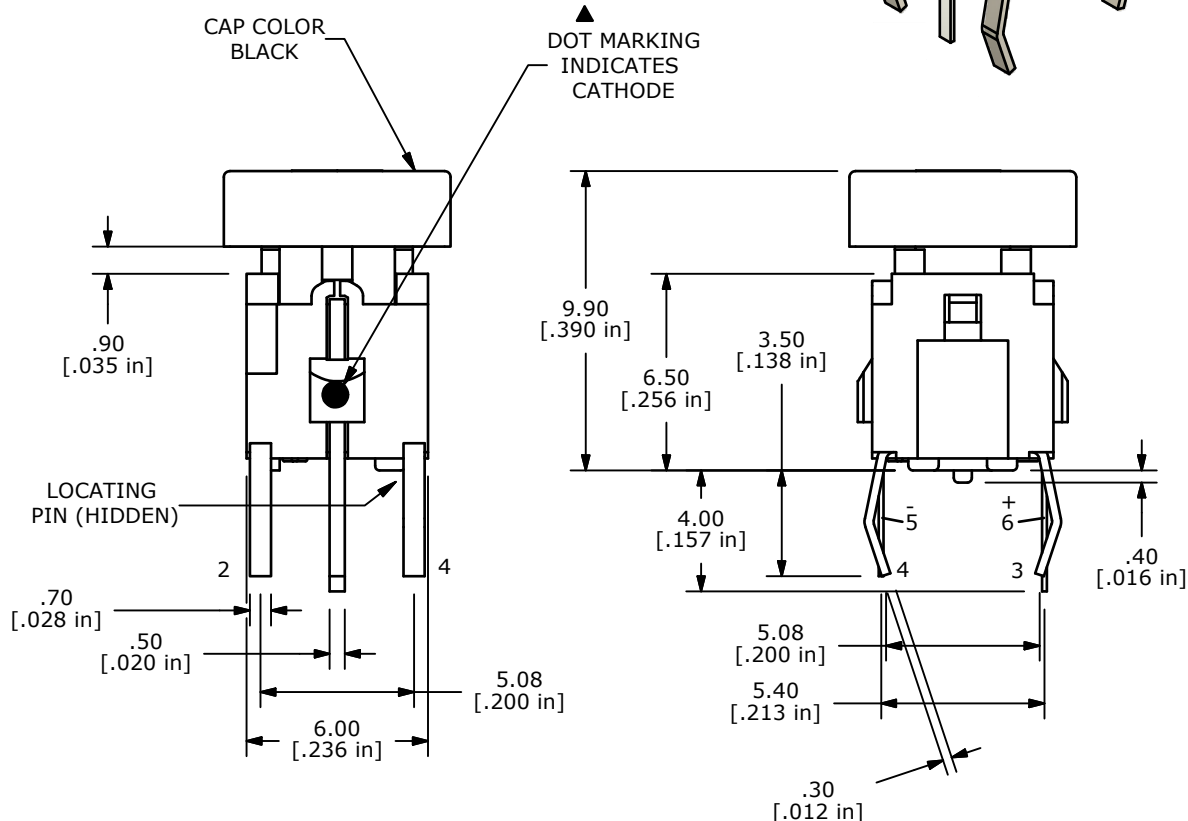
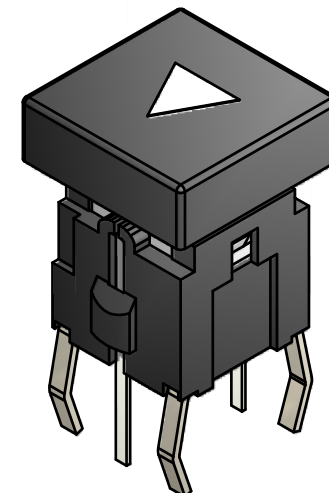
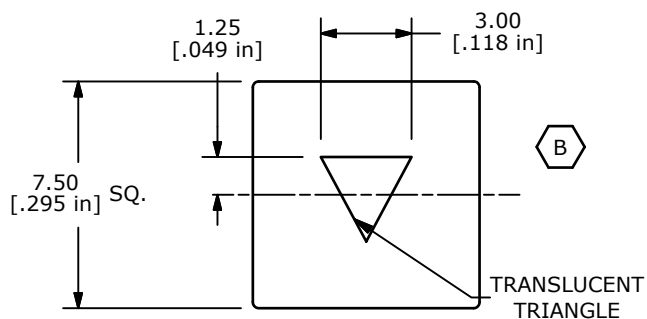
LED SPECS ▲	UNITS	WHITE
FORWARD CURRENT	mA	20
FORWARD VOLTAGE @20mA	V	3.2-4.0
LUMINOUS INTENSITY @ 20mA	MCD	100




WHITE LED ▲  
CIRCUIT: SPST

NOTES:

1. ALL DIMENSIONS IN MM [INCH]
2. GENERAL TOLERANCE: X.X=±0.4  
X.XX=±0.25
3. RATING: 12VDC @ 50mA
4. CONTACT RESISTANCE: 100 Milli-OHMS MAX.
5. INSULATION RESISTANCE: 100 Mega-OHMS MIN.
- ▲6. OPERATING FORCE: 180± 50gf
7. TRAVEL: 0.2± 0.1mm
8. OPERATING TEMPERATURE: -20°C TO 70°C
9. OPERATING LIFE: 500,000 CYCLES
10. LED: GREEN
11. ▲ DENOTES CRITICAL PARAMETERS
12. 2002/95/EC (ROHS) COMPLIANT
13. PARTS TO BE PACKAGE 100 PARTS PER TRAY.



REV	PCR NO	DESCRIPTION	DATE	BY
B	19930	CHANGE ORIENTATION OF SYMBOL	5/9/11	BGL
A	19903	Release for Production	5/4/11	BMA

				
TITLE TL1220S1NNBW-TRI				
SCALE	DATE	DR	DWG	REV
4	5/4/2011	BMA	B260014	B