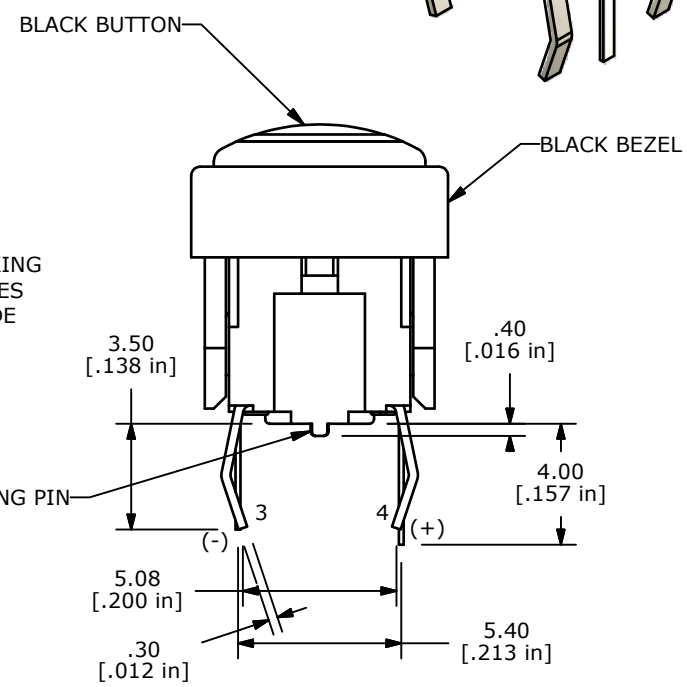
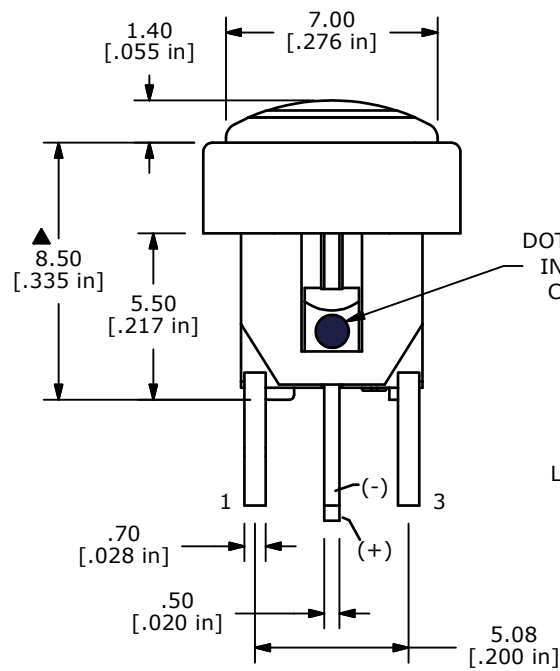
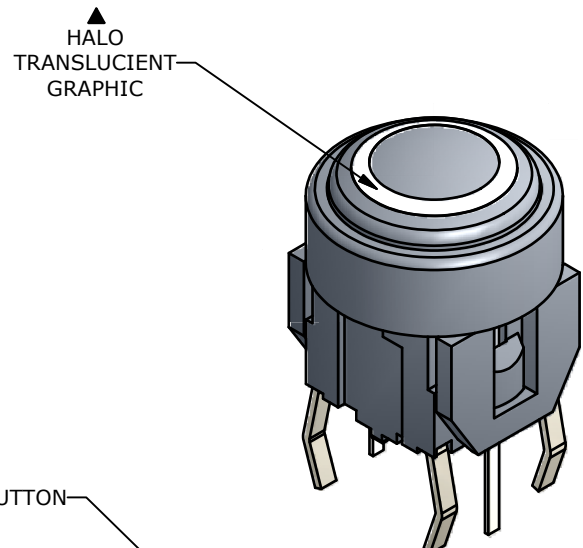
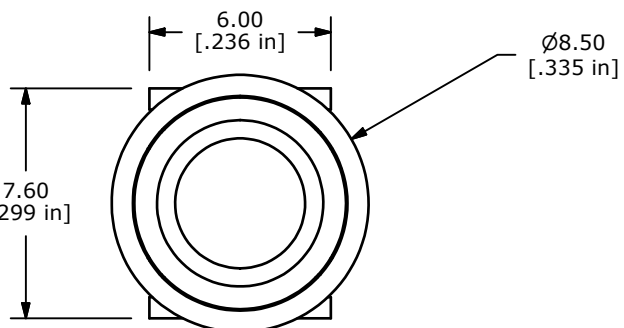
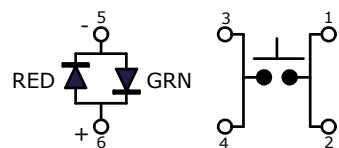
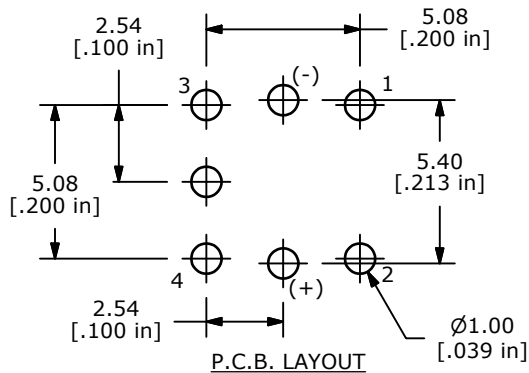


▲ LED SPECS	UNITS	RED	GREEN
FORWARD CURRENT	mA	20	20
FORWARD VOLTAGE @ 20mA	V	1.95 - 2.5	2.1-2.5
LUMINOUS INTENSITY @ 20mA	MCD	3,000	400



- NOTES:
1. ALL DIMENSIONS IN MM [INCH]
  2. GENERAL TOLERANCE: X.X=±0.4  
X.XX=±0.25
  3. RATING: 12VDC @ 50mA
  4. CONTACT RESISTANCE: 100mΩ MAX.
  5. INSULATION RESISTANCE: 100MΩ MIN.
  - ▲6. OPERATING FORCE: 180±50gf
  7. TRAVEL: 0.2±0.1mm
  8. OPERATING TEMPERATURE: -20°C TO 70°C
  9. OPERATING LIFE: 500,000 CYCLES
  - ▲10. LED COLOR: RED / GREEN
  11. ▲ DENOTES CRITICAL PARAMETERS
  12. 2002/95/EC (ROHS) COMPLIANT
  13. PARTS TO BE PACKAGE 100 PARTS PER TRAY.



<b>E-SWITCH®</b>				
TITLE TL1220R1BBBRG-HALO				
SCALE	DATE	DR	DWG	REV
4	6/6/2011	BGL	B260015	A

A	19982	RELEASE FOR PRODUCTION	6/6/11	BGL
REV	PCR NO	DESCRIPTION	DATE	BY
<small>THE INFORMATION CONTAINED IN THIS DOCUMENT IS PROPRIETARY TO E-SWITCH AND IS NOT TO BE COPIED OR TRANSFERRED</small>				