

On-screen display for VCRs

BU2875/BU2875F/BU2857/BU2857F

The BU2875, BU2875F, BU2857 and BU2857F are character generator ICs for VCRs and televisions. The display RAM can store 12 lines \times 24 characters, and the on-chip character data ROM can store either 127 or 255 different characters. The characters are displayed in a 12 \times 18 bit matrix, with no space between characters, so two or more characters can be joined to form icons or patterns.

● Applications

VCRs

● Features

- 1) Compatible with NTSC, PAL, PAL-M, and PAL-N. A non-interlace mode is also provided.
- 2) Compatible with composite and S-VHS.
- 3) 127 character types (BU2875 and BU2875F) or 255 character types (BU2857 and BU2857F).
- 4) Color can be specified for each character. Reverse video display, blinking display, and "aluminum option" can be selected.
- 5) Built-in sync-tip clamp circuit.
- 6) Built-in synchronization decision circuit.

● Absolute maximum ratings (Ta=25°C)

Parameter	Symbol	Limits	Unit
Power supply voltage	V _{CC}	-0.3~7.0	V
Power dissipation	BU2875/BU2857	700 (DIP28) ^{*1}	mW
	BU2875F/BU2857F	550 (SOP28) ^{*2}	
Operating temperature	T _{opr}	-20~75	°C
Storage temperature	T _{stg}	-50~150	°C
Pin voltages	—	-0.3~V _{CC} +0.3	V

*1 Reduced by 7mW for each increase in Ta of 1°C over 25°C.

*2 Reduced by 5.5mW for each increase in Ta of 1°C over 25°C.

● Recommended operating conditions (Ta=25°C)

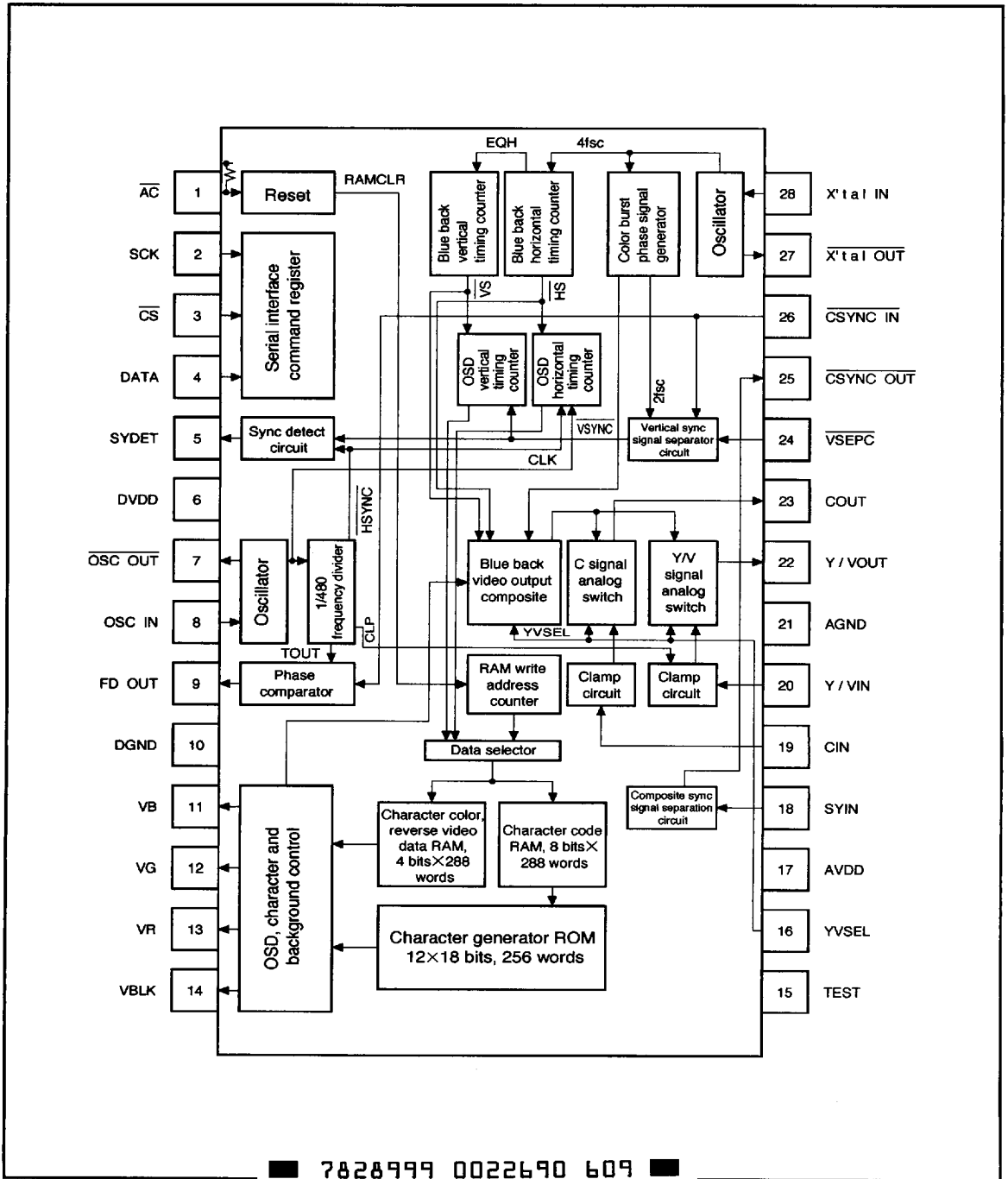
Parameter	Symbol	Min.	Typ.	Max.	Unit
Power supply voltage	V _{CC}	4.5	5.0	5.5	V
Input voltage	V _{IN}	0	—	V _{CC}	V

7828999 0022689 997

ROHM

471

●Block diagram



7828999 0022690 609

ROHM

● Pin description

Pin No.	Input/output	Pin Name	Function
1	Input	\overline{AC}	"L" input resets all registers and clears the RAM. Pullup resistor on input.
2	Input	SCK	Clock input for reading data. Data on the DATA pin is read on the rising edge of the clock. Each block of 8 bits is loaded into the register as a command.
3	Input	\overline{CS}	Serial interface chip select. Data effective when "L".
4	Input	DATA	Control data input. Data is read synchronously with the rising edge of the signal on the CLK pin.
5	Output	SYDET	The synchronizing signal is used to determine the presence or absence of a video signal, and the result is output on this pin (sync detect). Normally "L", the output goes "H" when no signal is detected.
6	—	DVDD	+5V power supply pin (digital circuit).
7	Output	OSC OUT	For connection of capacitor and coil for the VCO. Also used as the OSD character output dot clock. The oscillator frequency is $480f_H$ (f_H : horizontal synchronization frequency).
8	Input	OSC IN	
9	Output	FDOOUT	AFC circuit phase comparator output.
10	—	DGND	Connect to system ground (digital GND).
11	Output	VB*	B character data output of digital RGB output.
12	Output	VG*	G character data output of digital RGB output.
13	Output	VR*	R character data output of digital RGB output.
14	Output	VBLK	Background data digital output.
15	Input	TEST	Open during normal operation. When "H", the LC oscillator clock is output on pin 11, and the X'tal oscillator clock is output on pin 12. This is used to for checking the oscillation frequencies.
16	Input	YVSEL	For setting the mode of the video signal input/output pins. Set to "L" for separated Y/C, and "H" for composite video.
17	—	AVDD	+5V power supply pin (analog circuit).
18	Input	SYIN	Input for the video signal for the synchronous separation circuit.
19	Input	CIN	C signal input pin for Y/C separation input/output. Leave open when not used (select the mode using pin 16).
20	Input	YIN / VIN	Y signal pin for Y/C separation input/output or composite video signal input (select the mode using pin 16). Use an input level of $2V_{P-P}$.
21	—	AGND	Connect to system ground (analog GND).
22	Output	YOUT / VOUT	Y signal pin for Y/C separation input/output or composite video signal output (select the mode using pin 16).
23	Output	COUT	C signal output pin for Y/C separation input/output. Leave open when not used (select the mode using pin 16).
24	Input	\overline{VSEPC}	Input for external vertical synchronization signal. (open when not used). Logical sum of this and the internally separated vertical synchronization signal is taken.
25	Output	$\overline{CSYNCOUT}$	Output for composite synchronization signal (slicer output).
26	Input	$\overline{CSYNCIN}$	Input for composite synchronization signal. This is input to the AFC phase comparator and vertical synchronization signal separation circuit. Normally connected to pin 25.
27	Output	X' tal OUT	For connection of a capacitor for oscillation, or a crystal. For generation of internal video signal. Use a crystal oscillator with a frequency of 4fsc.
28	Input	X' tal IN	

* For superimposition, the VR, VG, and VB outputs display in monochrome.

7828999 0022691 545

ROHM

473

● Function of the \overline{AC} pin

When the \overline{AC} pin is set to "L", all registers are cleared, and character code FFH is written to all RAM addresses (RAM clear function). For this reason, do not send commands until writing of data to the RAM is complete. The time requires to write the data to the RAM is

$$3 / f_{osc} \times 288 \text{ [sec]}$$

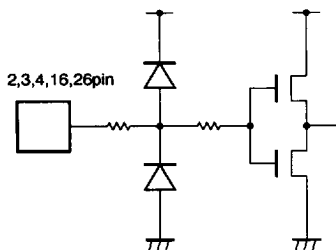
(f_{osc} : the LC oscillator frequency.)

● YVSEL setting

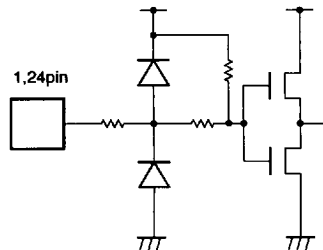
YVSEL	YIN / VIN YOUT / VOUT	CIN COUT
L	Y signal input/output	C signal input/output
H	Composite video signal input/output	Unused (open)

● Input / output circuits

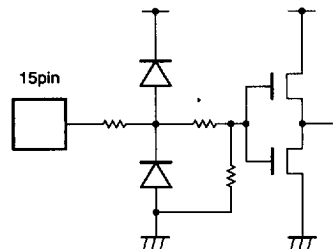
Inputs



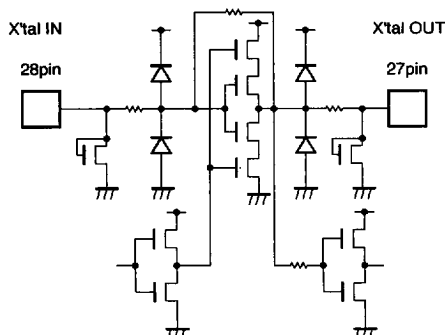
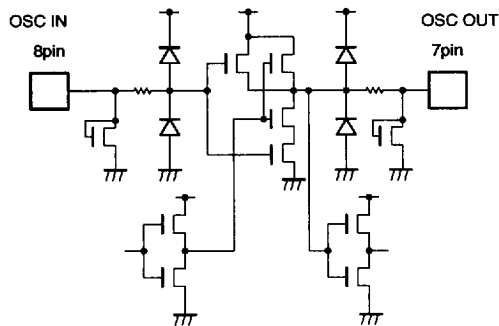
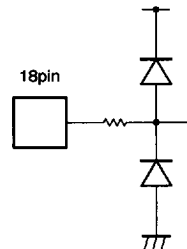
Input with pullup resistors



Input with pulldown resistors

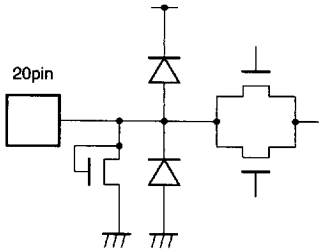


SYIN

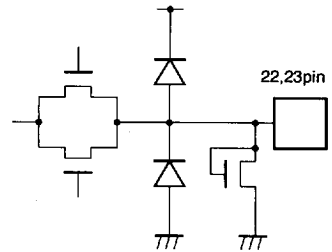


● Input / output circuits

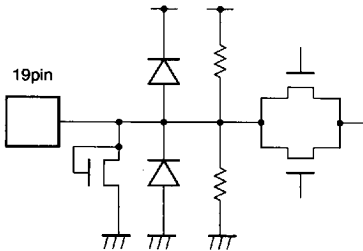
Y/V IN



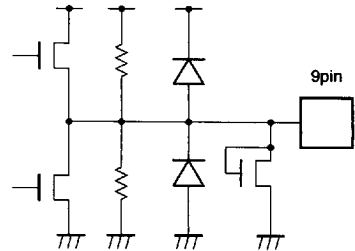
Y/V OUT, COUT



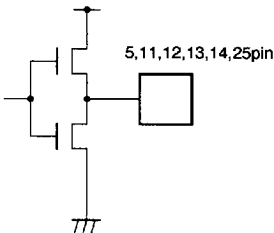
CIN



FD OUT



Outputs



On-screen display

Multimedia video components

●Electrical characteristics (Unless otherwise specified: Ta=25°C and V_{DD}=5V)

Parameter	Symbol	Min.	Typ.	Max.	Unit	Conditions	Measurement Circuit
"L" input voltage	V _{IL2}	0	—	1.5	V	For CMOS input	Fig.3
"H" input voltage	V _{IH2}	3.5	—	V _{DD}	V	For CMOS input	Fig.3
"L" output voltage	V _{OL1}	—	—	0.4	V	For OSC *1	Fig.1
"H" output voltage	V _{OH1}	4.6	—	—	V	For OSC *1	Fig.2
"L" output voltage	V _{OL2}	—	—	0.4	V	I _{OL} ≤ 2mA (CMOS output)	Fig.1
"H" output voltage	V _{OH2}	4.6	—	—	V	I _{OH} ≤ 1mA (CMOS output)	Fig.2
Video signal input level	V _{VI}	—	2.0	—	V _{P-P}	Pins 18 and 20 (when white peak) *2	—
Video signal output level	V _{VO}	—	1.85	—	V _{P-P}	Pin 22 (when white peak) *3	Fig.5
C signal input level	V _{CI}	—	1.4	3.0	V _{P-P}	19pin *2	—
C signal output level	V _{CO}	—	1.4	—	V _{P-P}	23pin *3	Fig.5
LC oscillator frequency	f _{OSC}	—	480f _H	—	MHz	f _H : horizontal synchronization signal frequency	—
Input pullup resistance	I _{IR}	—	28	—	kΩ	Pullup input	Fig.3
Operating current	I _{DS}	—	—	25	mA	*4	Fig.4

*1 When an external clock is connected to the oscillator pin (50% duty cycle).

*2 Signal level of the externally input signal in external synchronization mode (superimpose).

*3 Signal level of the internally generated signal in internal synchronization mode.

*4 All characters displayed with f_{osc} = 7.55MHz.

©Not designed for radiation resistance.

7828999 0022694 254

● Measurement circuits

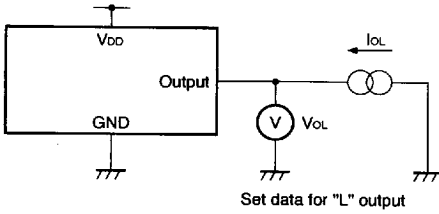


Fig. 1 "L" output voltage measurement circuit

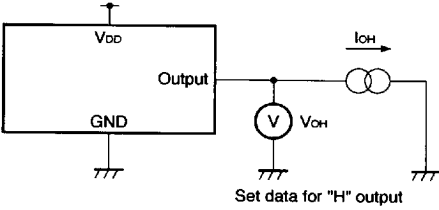


Fig. 2 "H" output voltage measurement circuit

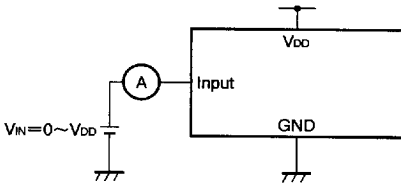


Fig. 3 Input voltage measurement circuit

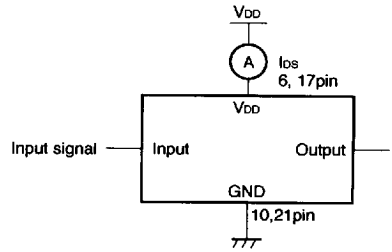


Fig. 4 Operating current measurement circuit

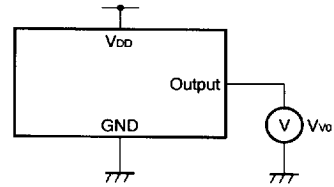


Fig. 5 Video signal output voltage measurement circuit

On-screen display

Multimedia video components

●Application example

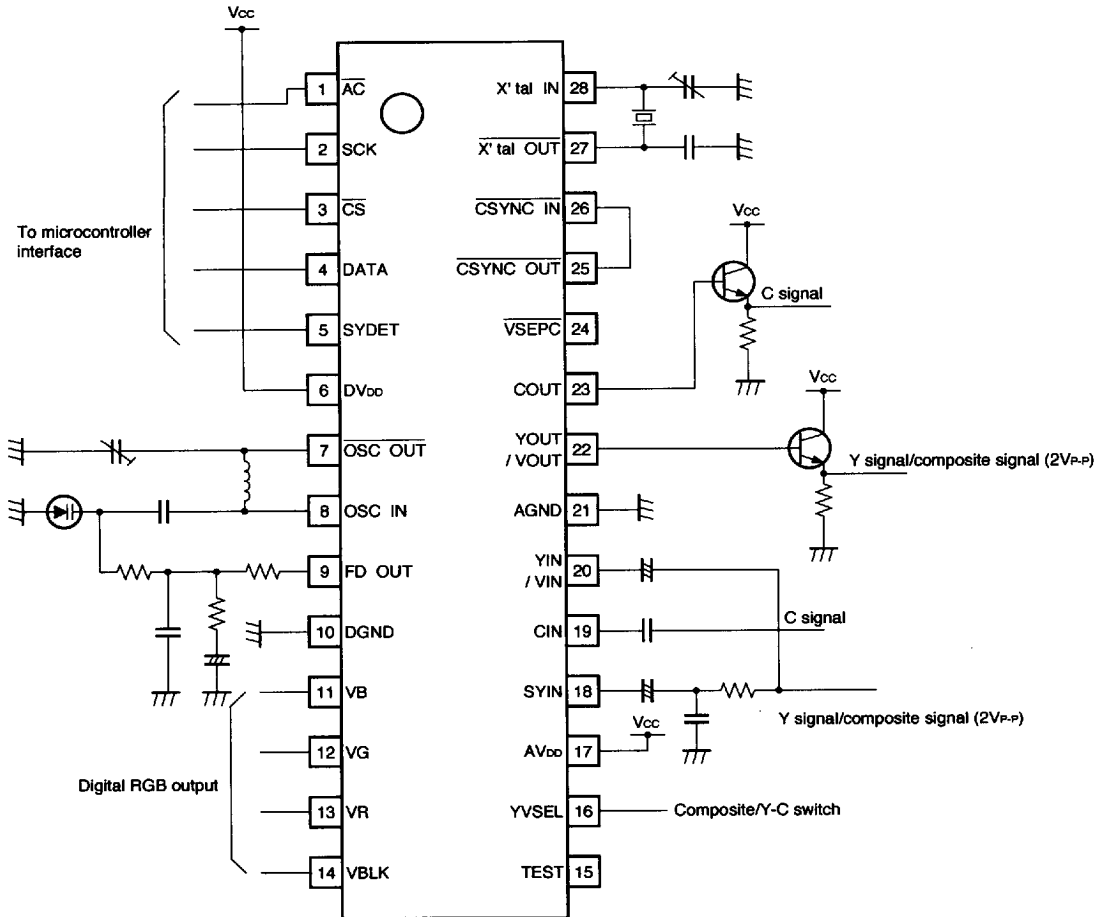
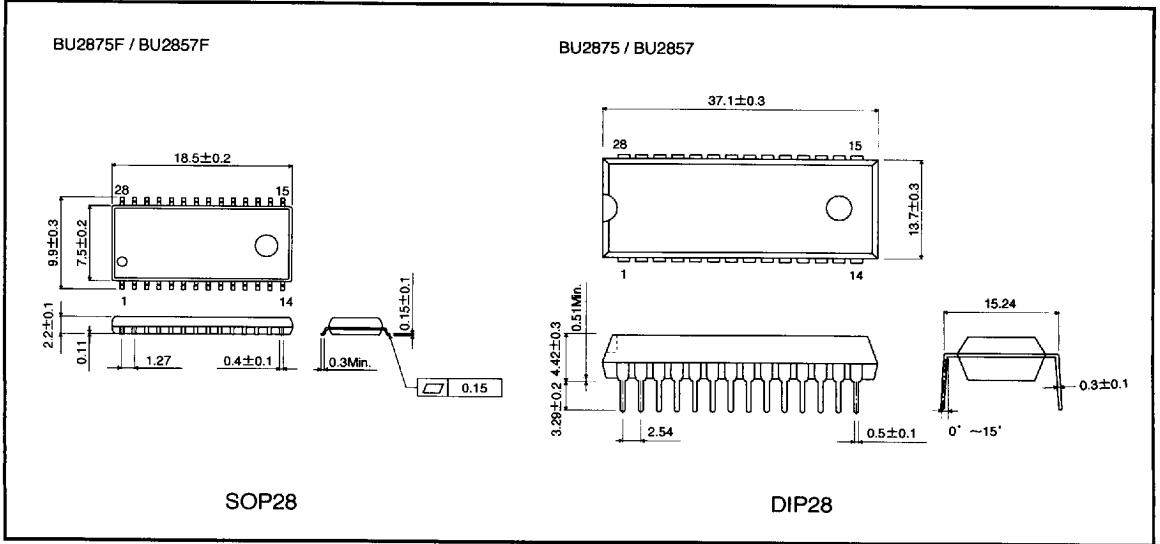


Fig. 6

7828999 0022696 027



● External dimensions (Units: mm)



On-screen display

Multimedia video components

7828999 0022697 T63

ROHM