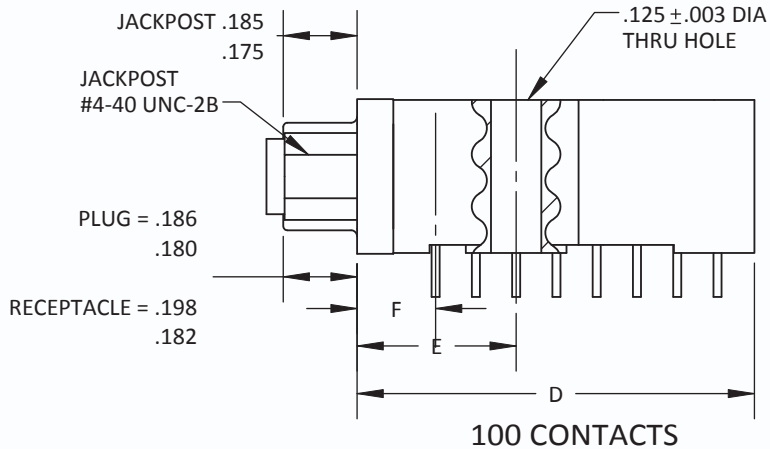
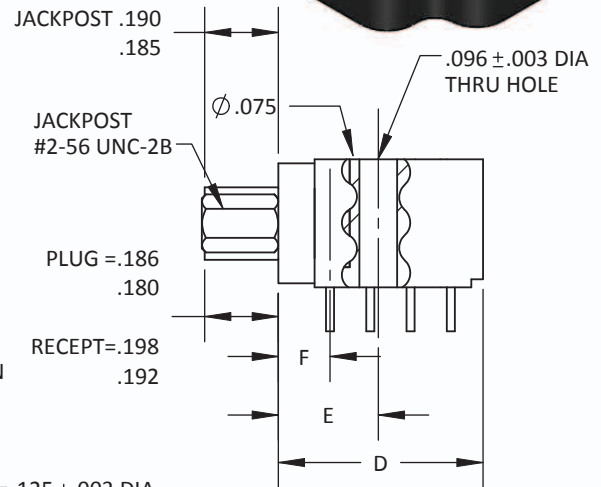
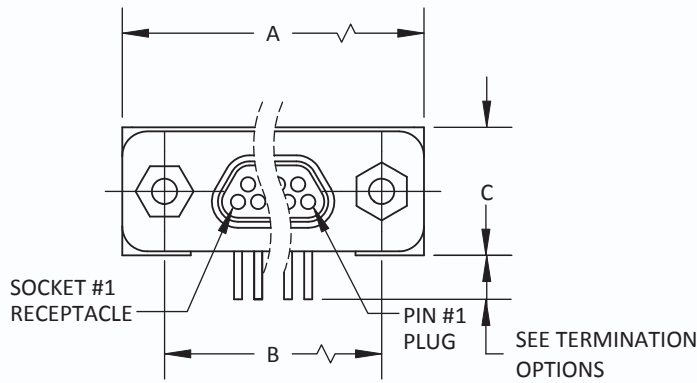
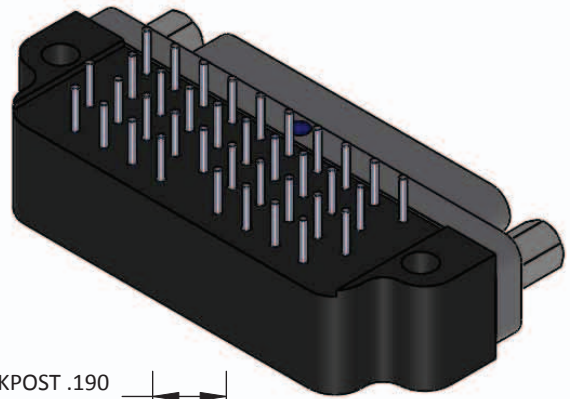
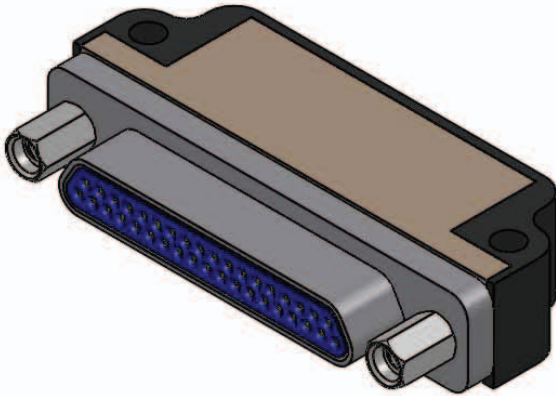
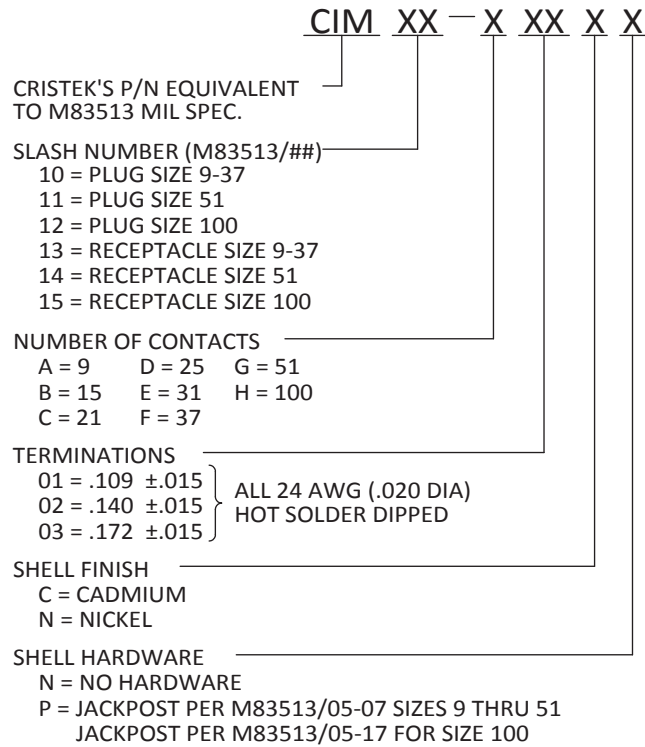


NO. OF CONTACTS	A MAX	B BSC	C MAX	D MAX	E ±.01	F ±.01
9	.787	.565	.325	.425	.25	.23
15	.937	.715	.325	.425	.25	.13
21	1.087	.865	.325	.425	.25	.13
25	1.187	.965	.325	.425	.25	.13
31	1.337	1.115	.325	.525	.25	.13
37	1.487	1.265	.325	.525	.25	.13
51	1.435	1.215	.360	.660	.30	.15
100	2.175	1.800	.420	1.010	.40	.20





MATERIALS AND FINISHES ARE IAW MIL-DTL-83513 FOR DETAILS SEE MIL SPEC OR WWW.CRISTEK.COM

1. MATERIALS:

SHELL - ALUMINUM ALLOY
 INSULATOR & BACKSHELL - GLASS FILLED THERMOPLASTIC
 CONTACT - COPPER ALLOY
 INTERFACIAL SEAL (RECEPT) - FLUOROSILICONE BLEND

2. FINISH:

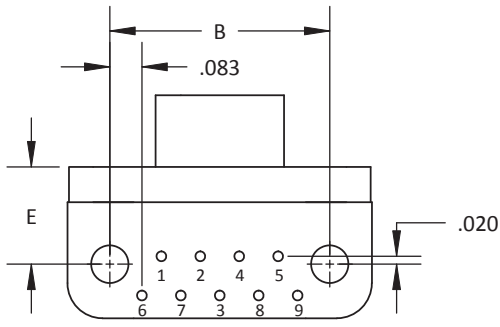
SHELL - ELECTROLESS NICKEL OR CADMIUM OVER
 ELECTROLESS NICKEL
 CONTACT - GOLD OVER NICKEL

3. SPECIFICATIONS:

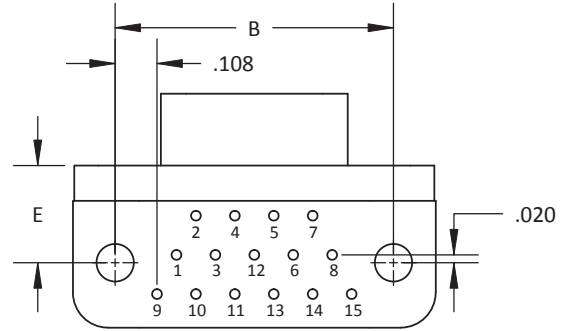
CURRENT RATING ----- 3 AMPS MAX
 TEMPERATURE RATING ----- -55° C TO +125° C
 INSULATION RESISTANCE ----- 5000 MEGOHMS MIN
 DWV AT SEA LEVEL ----- 600 VAC
 DWV AT 70,000 FT ALTITUDE ---- 150 VAC
 CONTACT RESISTANCE ----- 24 AWG = 25 MILLIOHMS MAX
 CONTACT RETENTION ----- 5 lb MAXIMUM AXIAL LOAD
 ENGAGEMENT FORCE ----- 6 oz MAX
 SEPARATION FORCE ----- 0.5 oz MIN

4. ADDITIONAL INFORMATION:

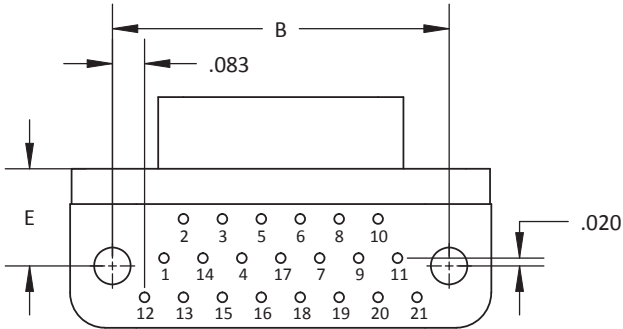
FOR CROSS-REFERENCING CRISTEK PART NUMBERS TO M83513, SEE CROSS REFERENCE INFORMATION IN THE FRONT OF THIS SECTION. FOR MOUNTING HARDWARE OPTIONS, SEE THE HARDWARE PAGES AT THE END OF THIS SECTION. ALL INTERFACE DIMENSIONS IN ACCORDANCE WITH M83513.



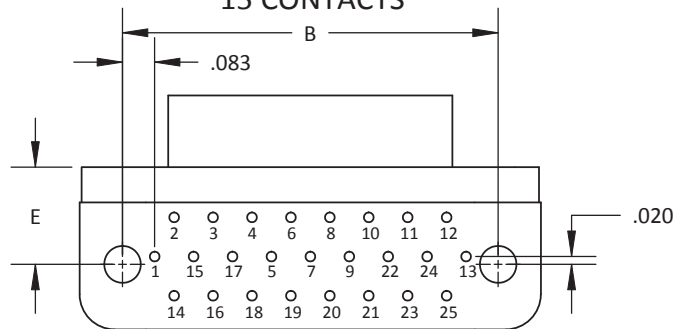
9 CONTACTS



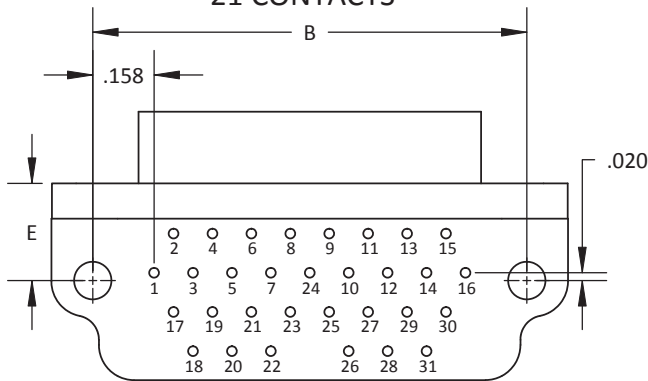
15 CONTACTS



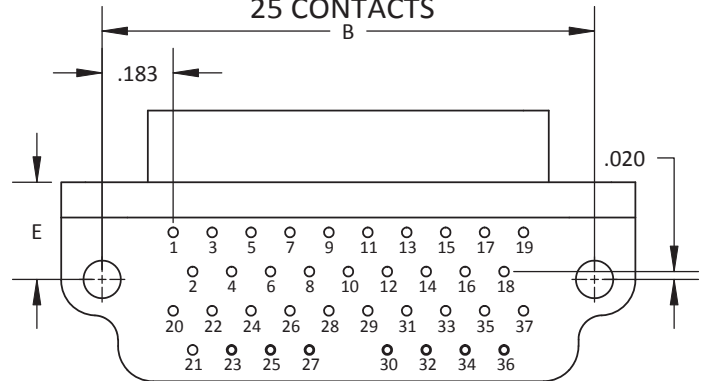
21 CONTACTS



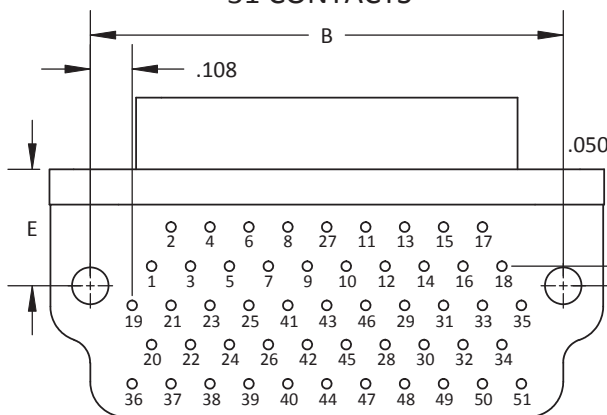
25 CONTACTS



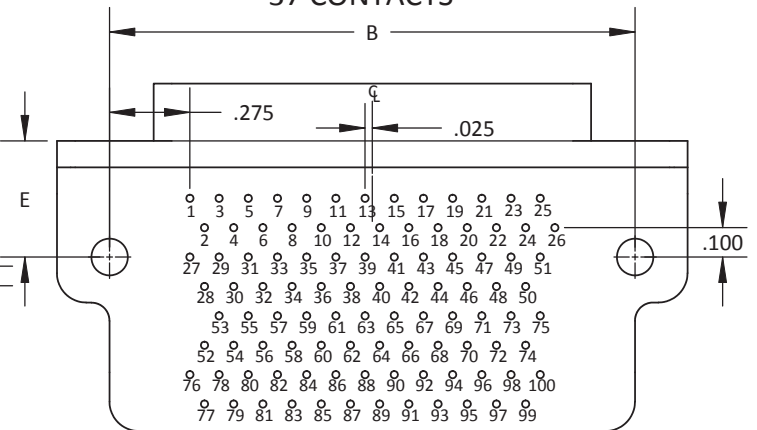
31 CONTACTS



37 CONTACTS



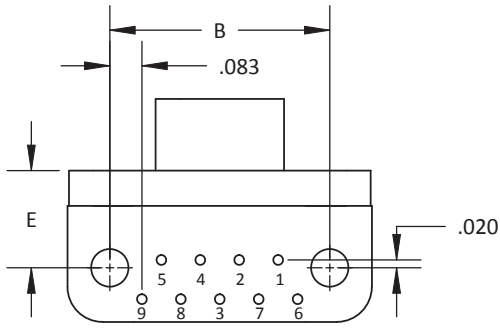
51 CONTACTS



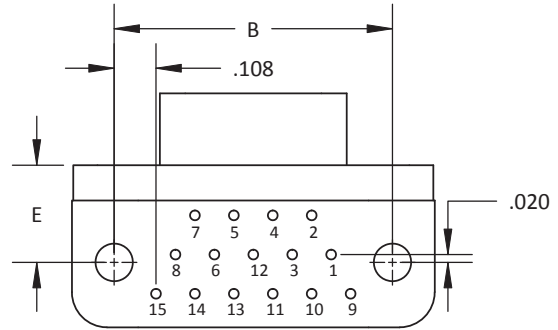
100 CONTACTS

PLUG PCB LAYOUTS (OR BOTTOM VIEW OF RECEPTACLE - EXCEPT 100)

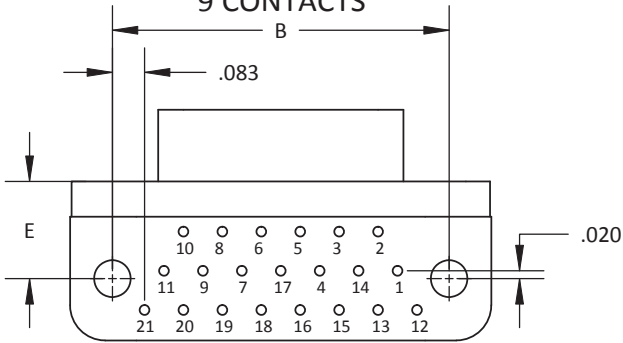
.100 X .100 GRID PATTERN OFFSET .050



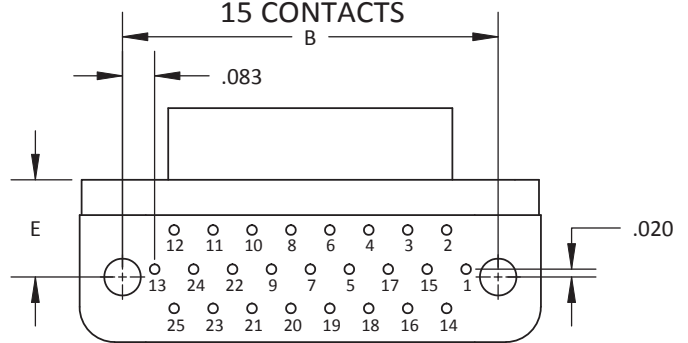
9 CONTACTS



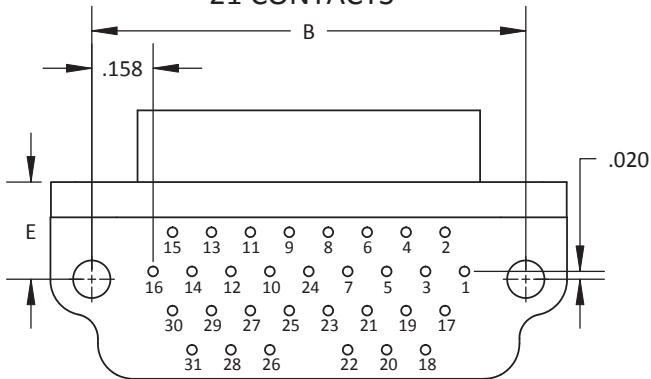
15 CONTACTS



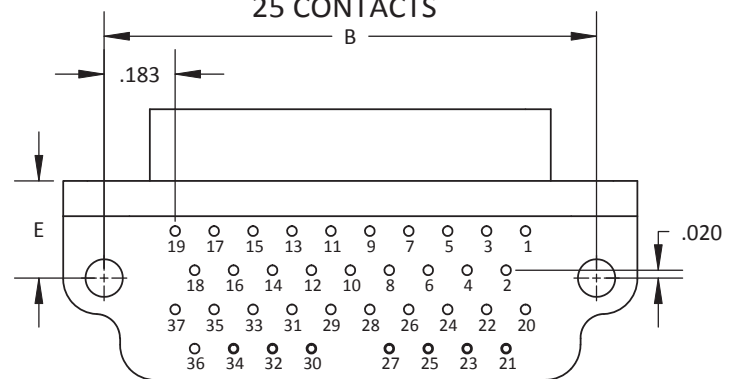
21 CONTACTS



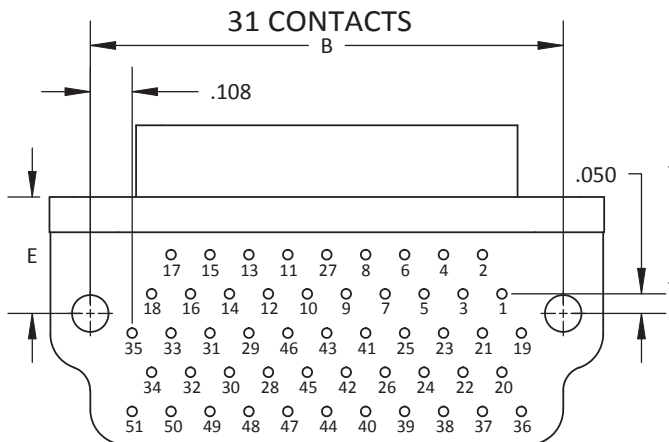
25 CONTACTS



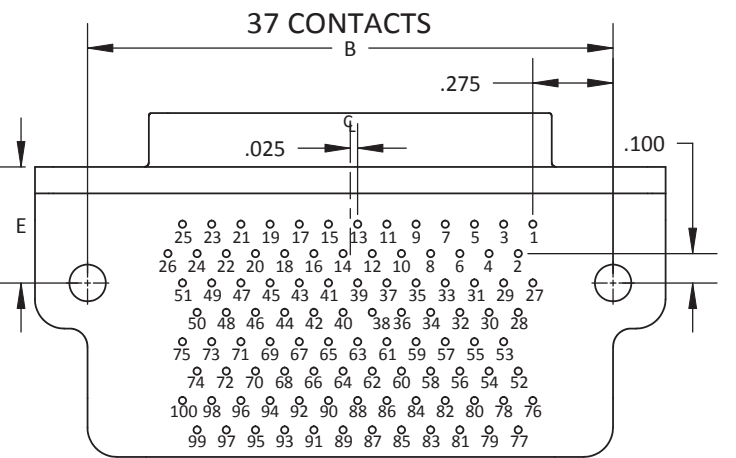
31 CONTACTS



37 CONTACTS



51 CONTACTS



100 CONTACTS

RECEPTACLE PCB LAYOUTS (OR BOTTOM VIEW OF PLUG - EXCEPT 100)

.100 X .100 GRID PATTERN OFFSET .050