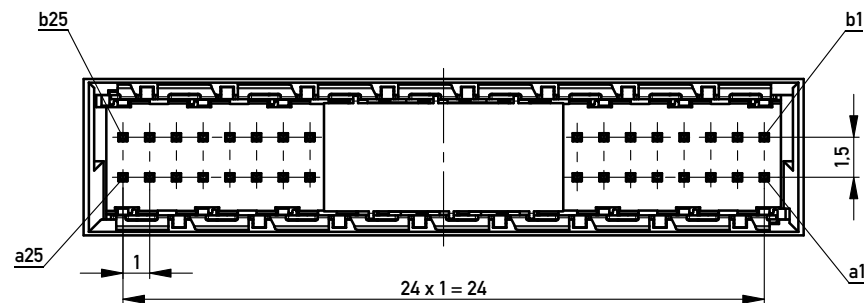
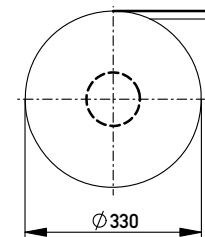
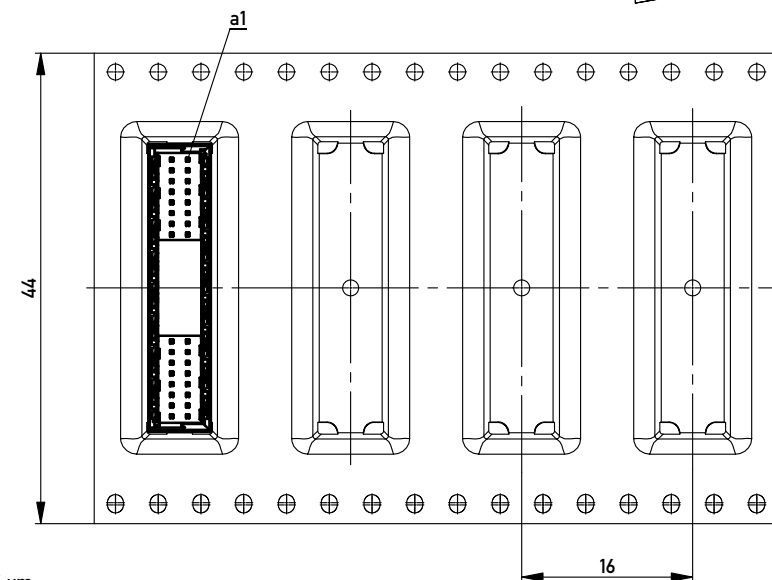


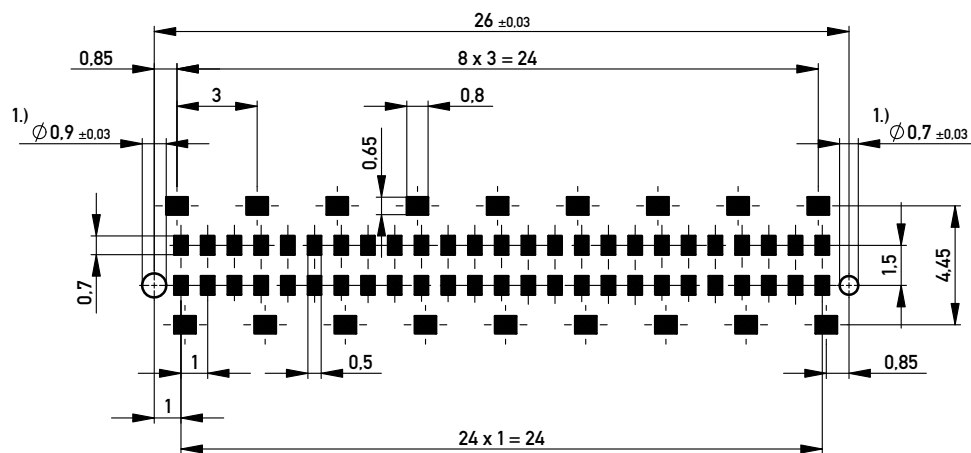
Verpackt im Gurt nach DIN IEC 60286-3  
 Tape on Reel Packaging according to DIN IEC 60286-3  
 Verpackungseinheit: 400 Stück  
 Packaging unit: 400 pcs



Abspulrichtung - Reel off Direction



Leiterplatten-Layout Vorschlag / PCB-Layout proposal



Anforderungsstufe 1  
 Performance Level 1

Kontaktbereich vergoldet  
 Mating Area gold plating

Anschlussbereich verzinkt 4-6 µm  
 Terminal Area 4-6 µm tin plating

Koplanarität der Anschlüsse ≤ 0.1 mm  
 Coplanarity Area of Termination ≤ 0.1 mm

1.) Durchmesser des Bohrers / drill tool

Information:	Tolerances	 All Dimensions in mm	Scale	5:1
	All rights reserved. Only for Information. To ensure that this is the latest version of this drawing, please contact one of the ERNI companies before using.		Subject to modification without prior notice. Drawing will not be updated.	Designation <b>Messerleiste 2mm SMD, 50 polig</b> <b>Male 2mm SMD, 50 contacts</b>
Copyright by ERNI GmbH. Proprietary notice pursuant to ISO 9006 to be observed.	 www.ERNI.com	<b>224557</b>		I <b>A3</b>
j Index	28.01.2014 Date	Class	MSPEED	