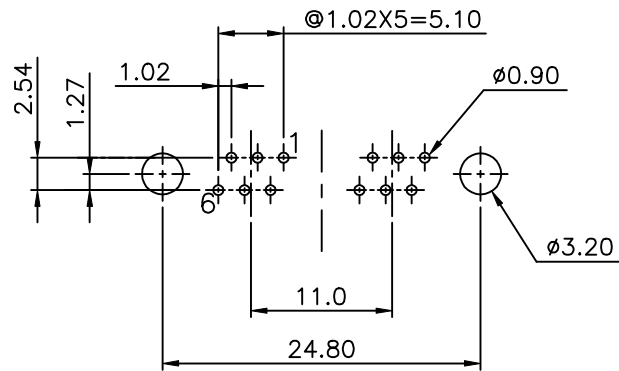
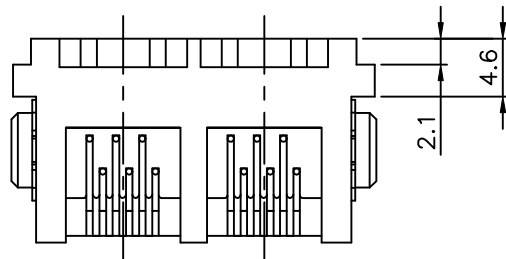
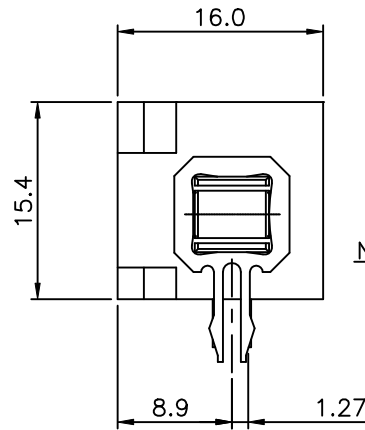
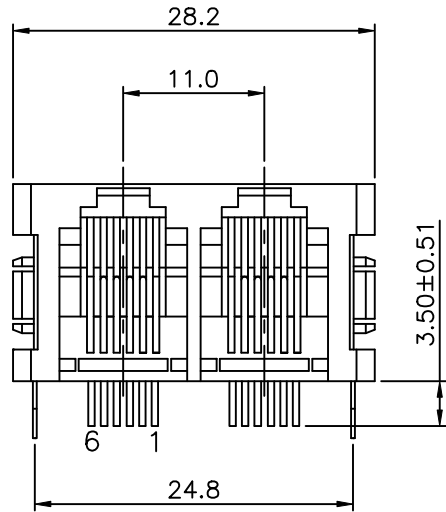


REVISION RECORD				
REV	ECO	DESCRIPTION	DRFT	CHKD
△		MODIFY NOTE	JAMY 9/29/05	



Pcb Board Layout Component Side Shown

NOTES:

ELECTRICAL:

- VOLTAGE RATING : 125 VAC RMS.
- CURRENT RATING : 1.5 AMP.
- CONTACT RESISTANCE : 30 MILLIOHMS MAX.
- INSULATION RESISTANCE: 1000 MEGOHMS MIN @ 500 VDC.
- DIELECTRIC STRENGTH : 1000 VAC RMS 60Hz, 1MIN.

MECHANICAL:

- HOUSING MATERIAL : NYLON+30%.G.F UL94V-0.
- HOUSING COLOUR : BLACK. △
- CONTACT MATERIAL : PHOSPHOR BRONZE ϕ 0.46mm
- PLATING : GOLD PLATING OVER NICKEL.
- OPERATING LIFE : 750 CYCLES MIN.
- PCB RETENTION PRE-SOLDER : 1 LB MIN.
- PCB RETENTION POST-SOLDER: 10 LBS MIN.

ENVIRONMENTAL:

- STORAGE : -40°C TO +85°C.
- OPERATION: 0°C TO 70°C.
- WAVE SOLDERING TEMPERATURE :255°C~265°C (5~10 SECONDS)

MATES WITH MODULAR PLUG CONFORMING TO

FCC PART 68, SUBPART F.

CUL FILE NO. E163191

ROHS PART NUMBER: E5H6X-10AA1X-L

NO. OF CONTACT:	┌	└	┌	└
2- 2C			1- 3u"	2- 6u"
4- 4C			3- 15u"	4- 30u"
6- 6C			5- 50u"	6- Pd20u"

DETACHED LISTS	MM (INCH)	DFTO JAMY	DATE 6/10/05	FULL RISE ELECTRONIC CO., LTD	
	TOLERANCES EXCEPT AS NOTED	CHKD SAMMY	DATE 2005/09/30		
	MM	MFO	DATE	TITLE	
	.0 ± 0.2 ±	APPV LUSHENG	DATE 2005/09/30		
.00 ± 0.15 ±	MATERIAL :	TITLE		SIDE ENTRY METAL FEET PCB JACK 6P	
.000 ± 0.075 ±	ANGLES ± 0.5	QTY :	DRAWING NO. GE5H3015-LA		SIZE A3
THIRD ANGLE PROJECTION	FINISH :	SCALE : 2 : 1	/PART NO. SEE NOTE		REV 1
	DO NOT SCALE DRAWING	SHEET	OF		