

# BAND PASS FILTER

## SURFACE MOUNT MODEL FIS-30

**OPTIMIZED BANDWIDTH**

**F<sub>c</sub> = 30 MHz**

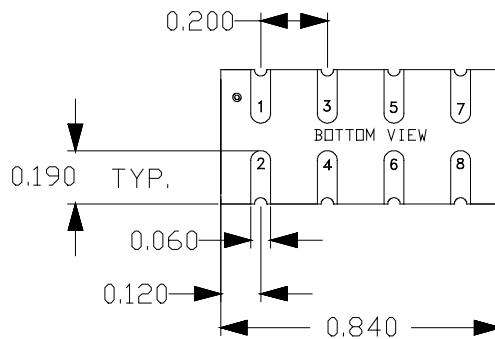
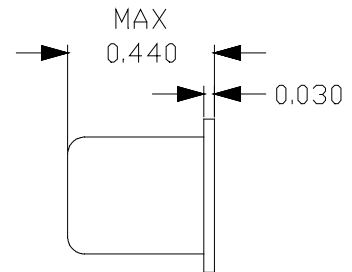
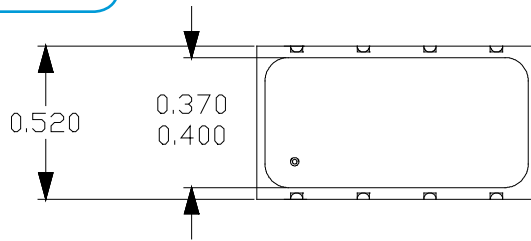
**SPECIFICATIONS:**

<b>Center Frequency:</b>	30 MHz	<b>40 dB Bandwidth:</b>	9.30 - 90.0 MHz
<b>Passband I. Loss :</b>	1.5 dB (Max)	<b>Power Rating:</b>	1 Watt (Max)
<b>Passband:</b>	27.5 - 32.5 MHz	<b>Impedance:</b>	50 Ohms
<b>20 dB Bandwidth :</b>	21.0 - 39.0 MHz	<b>Operating Temp. Range:</b>	-20° to +70° C

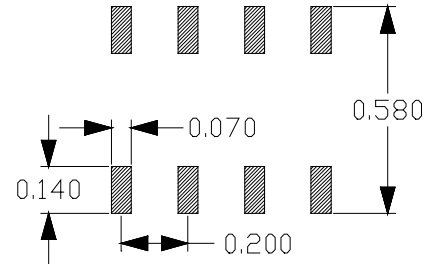


**MECHANICAL OUTLINE:102S**

PIN-OUT	
Input	1
Output	8
Case Ground - All Others	



LAYOUT FOR PRINTED CIRCUIT DESIGN



# BAND PASS FILTER

## SURFACE MOUNT MODEL FIS-30

OPTIMIZED BANDWIDTH

$F_c = 30$  MHz

### PERFORMANCE PLOTS

