

25 Amp Minature PCB Power Relay

PC354



FEATURES

- 25 Amp contact capacity
- 70 Amp Inrush
- 5 KV dielectric strength between coil and contacts
- .250 quick connect terminals for load
- 1.5 Hp @ 250 VAC
- Meets UL 873 spacing
- UL Class "F" insulation available



File # E93379

UL/CUR RATINGS

Load Type	All Forms All Contacts
Resistive	25 Amps/250 VAC, 20 Amps/277 VAC
Motor	1 1/2 Hp @ 250 VAC, 1 Hp @ 125 VAC
Maximum switched power	6380 VA, 750 W
Maximum switched voltage	300 VAC, 30 VDC

CONTACT DATA

Material	AgSnO (Silver Tin Oxide)	
Initial Contact Resistance	30 milliohms max @ 0.1A, 6VDC	
Service Life	Mechanical	1 X 10 ⁷ Operations
	Electrical	1 X 10 ⁵ Operations

CHARACTERISTICS

Operate Time	20 ms. Max.
Release Time	10 ms. Max.
Insulation Resistance	1,000 megohms min, at 500VDC, 50%RH
Dielectric Strength	5000 Vrms, 1 min. between coil and contacts 1000 Vrms, 1 min. between open contacts
Shock Resistance	10 g, 11ms, functional; 100 g, destructive
Vibration Resistance	DA 1.0 mm, 10 - 55 Hz
Power Consumption	.9 Watts
Ambient Temperature Range	-40 to 85 C, -40 to 130 C storage
Weight	28 grams approx.

ORDERING INFORMATION

Example:	PC354	-1A	-12	P	F	-X
Model						
Contact Form	1A					
Coil Voltage						
Terminal Type	Nil: QC + PC, P: All PC					
Insulation Material	Nil: Class B, F: Class F (155 degrees C)					
RoHS Compliant	-X: RoHS Compliant					

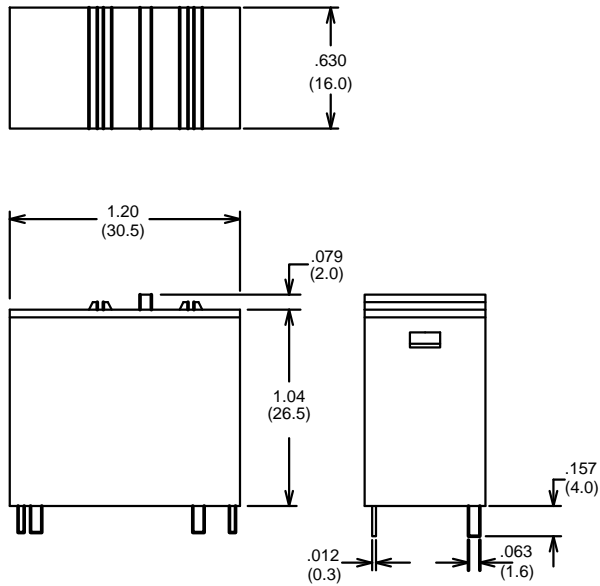
COIL DATA

Coil Voltage	Rated Current (mA)	Resistance ohms $\pm 10\%$	Must Operate Voltage Max. (VDC)	Must Release Voltage Min. (VDC)	Continuous Voltage Max. (VDC)	Coil Power (mW)
5	180	27.7	3.75	0.3	6.5	900
6	150	40	4.5	0.3	7.8	900
9	100	90	6.75	0.5	11.7	900
12	75	160	9.0	0.6	15.6	900
24	37.8	640	18.0	1.2	31.2	900
48	18.8	2560	36.0	2.4	62.4	900
110	8.18	13440	82.5	11.0	137.5	900

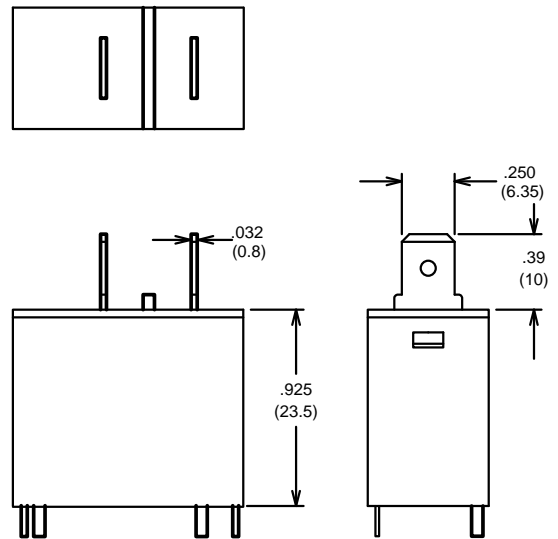
Caution: 1. The use of any coil voltage less than the rated coil voltage will compromise the operation of the relay.
 2. Pickup and release voltage are for test purposes only and are not to be used as design criteria.

Dimensions in Inches (millimeters)

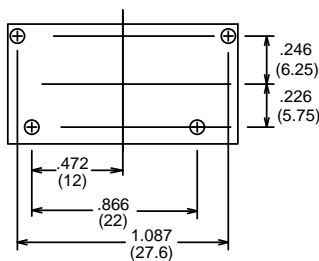
PC Version



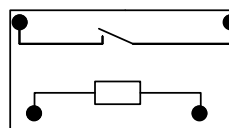
QC + PC Version



**Bottom View
PC Board Layout**



Wiring Diagram



Notes:

Tolerances $\pm .010$ unless otherwise noted



3220 Commander Drive, Suite 102, Carrollton, Texas 75006

Sales: (888) 997-3933, (972) 713-6272 Fax: (972) 724-0964 email: sales@pickercomponents.com URL: pickercomponents.com