

Model(型號): 精密多圈線繞電位器-----WXD3590

► 下載PDF文檔



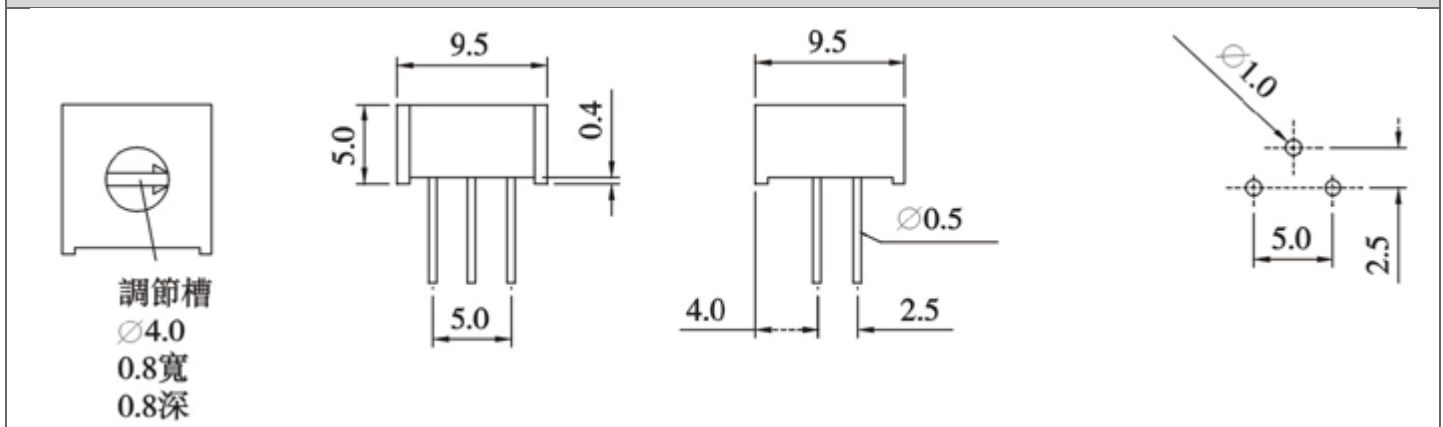
特點:

多款式均適用
超高性能及高度可靠性
可自動調節(安裝上自動調節傳動器)
寬軸設計使調節起來更方便.
在商業市場上能找到用於此電位器之可調式螺絲起子

作用:

測量設備，通信設備，工業機械，高環境要求場合

Dimensions(規格圖):



Specifications(規格)

Electrical Characteristics [電器性能]	
Range of nominal resistance[標稱阻值範圍]	100Ω-100KΩ
Resistance tolerance[阻值允許偏差]	±2%,±5%
Terminal resistance[終端電阻]	≤±0.2%R or 5Ω
Peak noise[峰值噪音]	≤ 100Ω
Linear accuracy[線性精度]	±1%,±0.5%
Electrical angle[電氣轉角]	3600°±10°
Insulation resistance[絕緣電阻]	≥ 200MΩ
Withstand voltage[耐電壓]	500V(DC or AC峰值)
Environment Characteristics [環境特性]	
(70°C)Rated power[額定功耗]	2W(70°C)
Temperature range[溫度範圍]	-55°C -+125°C
TCR[溫度系數]	±100×10 ⁻⁶ /°C
Temperature shock[溫度沖擊]	ΔR ≤ ±3%R
Collision(390m/S ² ,4000次)[碰撞]	ΔR ≤ ±1%R
Moisture proof (GJB306A-96方法106,7a、7b不適用)[耐濕]	ΔR ≤ ±3%R,絕緣電阻 ≥ 100MΩ
Vibration(10-500HZ,0.75mm,6h[振動]	ΔR ≤ ±1%R,電氣間斷 ≤ 100μS
Climate category(IEC68-2-2)[氣候順序]	ΔR ≤ ±3%R,絕緣電阻 ≥ 100MΩ,起動力矩 ≤ 20mN.m
Operation at lowtemperature(-55°C,4h)[低溫工作]	ΔR ≤ ±3%R, 起動力矩 ≤ 20mN.m
Rotational life(10000cycles)[旋轉壽命]	ΔR ≤ ±3%R,峰值噪音 ≤ 500Ω, 起動力矩 ≤ 20mN.m

Electrical endurance(2W,1000h)70°C [電氣耐久性]	$\Delta R \leq \pm 3\%R$
Steady damp heat(IEC68-2-3,Ca,96h)[穩態濕熱]	$\Delta R \leq \pm 3\%R$, 絕緣電阻 $\geq 100M\Omega$, 起動力矩 $\leq 20mN.m$
Physical Characteristics[物理特性]	
Total mechanical travel[總機械行程]	$3600^{\circ} \pm 10^{\circ}$
Rotational torque[旋轉力矩]	2-10Mn.M
Stopper torque[止檔力矩]	$\geq 300mN.m$
<p>注：可提供特殊阻值和規格的产品 可提供線性精度$\pm 0.25\%$的产品 符合GB/T15298-94總規範 訂購指南:WXD3590 B103 M20</p>	

[Http://www.productwell.com](http://www.productwell.com) E-Mail: pwltw@productwell.com TEL: 0769-81353212 FAX: 0769-81353211