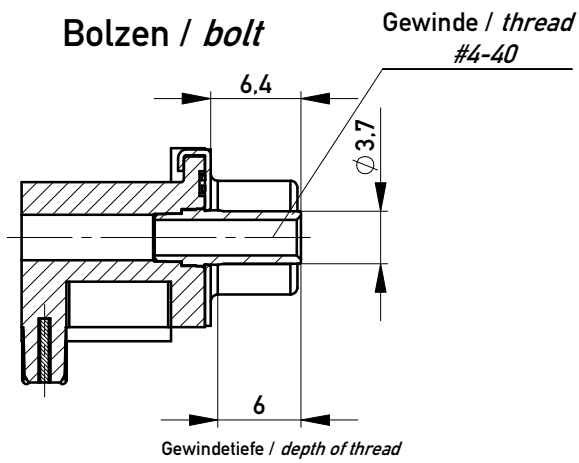
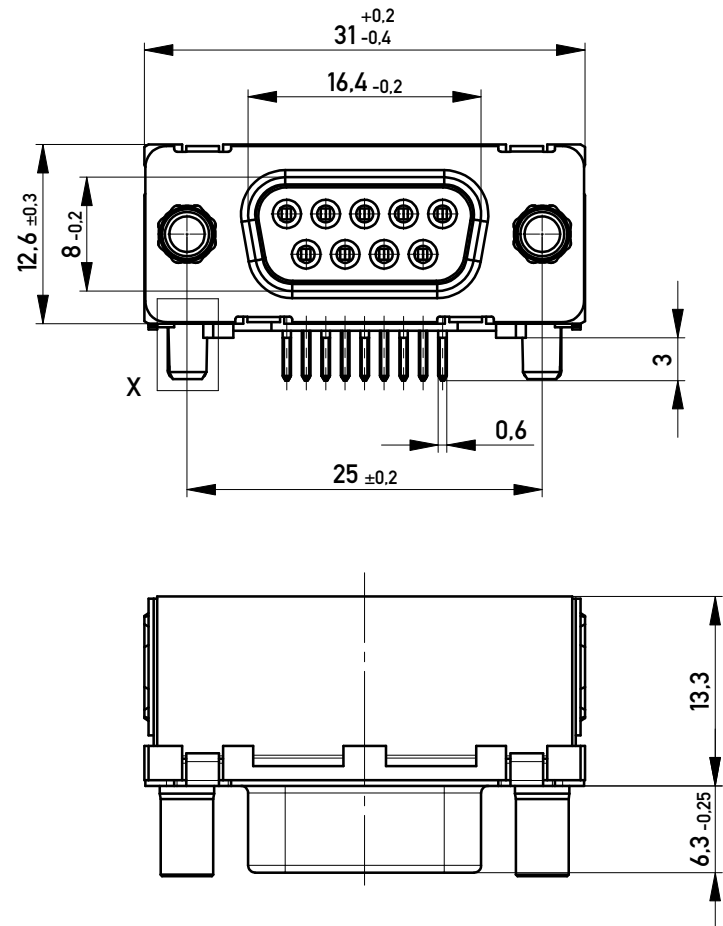
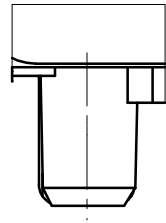


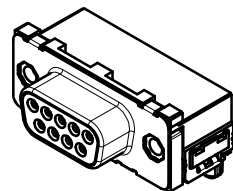
DETAIL X
M 5 : 1

Bestückung kraftlos
powerless assembly



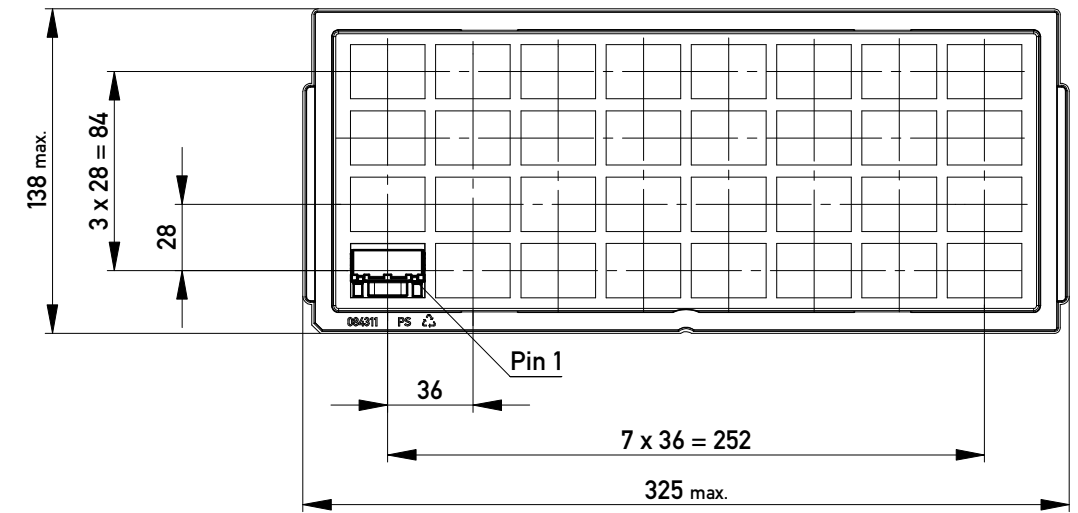
Anschlussbereich verzinkt
terminal area tin plating

Anforderungsstufe: 2
class: 2

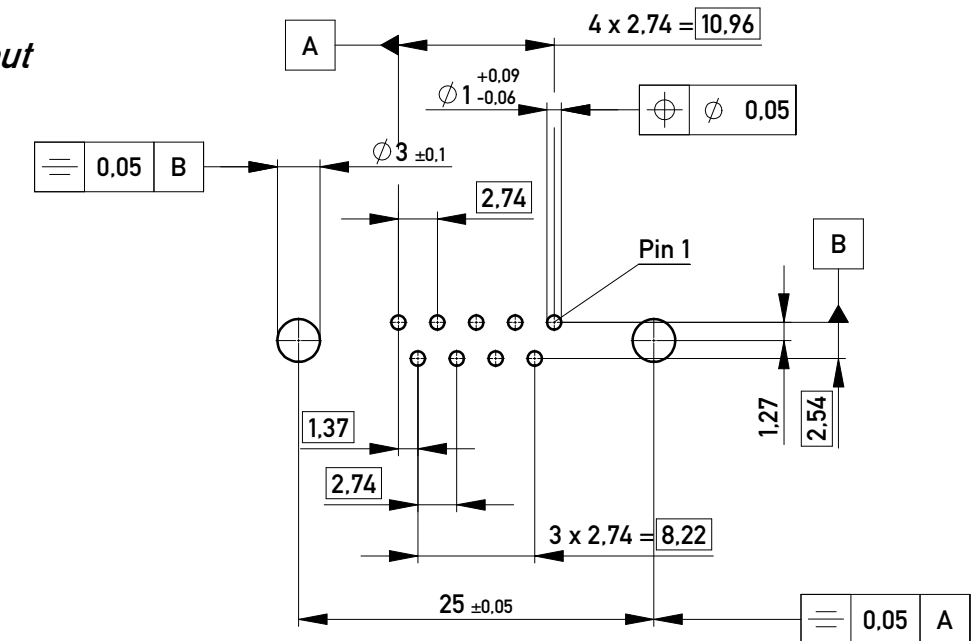


Verpackt in Tray
Verpackungseinheit 32 Stück


tray packaging
packaging unit 32 pcs



Layoutvorschlag
recommended layout



Fehlende Masse und Angaben siehe DIN 41652 / Missing information and dimensions according to DIN 41652
Sonstige Angaben siehe Fertigungsunterlagen / Additional indications according to production documentation

Information: All rights reserved. Only for Information. To ensure that this is the latest version of this drawing, please contact one of the ERNI companies before using.	Tolerances All Dimensions in mm	Scale 2:1	Designation TMC-S-09-THR OM-Standard-BA8 <i>TMC-S-09-THR OM-Standard-BA8</i>
	<p>Subject to modification without prior notice. Drawing will not be updated.</p>  www.ERNI.com		
g Index	22.11.2011 Date	Class TMCS	

Copyright by ERNI GmbH
Proprietary notice pursuant to ISO 16016 to be observed.