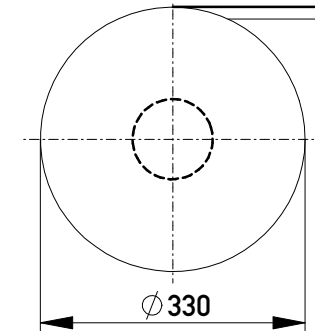
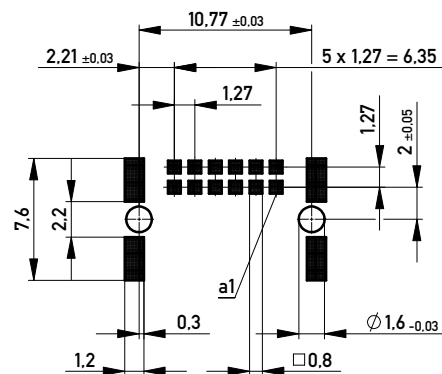


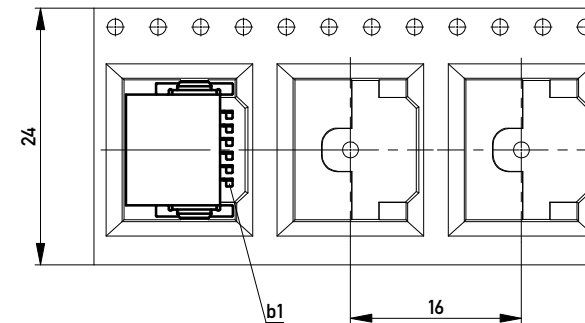
Verpackt in Gurtverpackung  
Tape on Reel Packaging  
Verpackungseinheit: 560 Stück  
Packaging unit: 560 pcs



Leiterplatten-Layout Vorschlag für SMT  
PCB-Layout Proposal for SMT



Abspulrichtung - Reel off Direction



BA7-03 - Standard Bauhöhe  
type7-03 - Standard Assembly Height

Information:	Tolerances	 All Dimensions in mm	Scale	3:1
	All rights reserved. Only for Information. To ensure that this is the latest version of this drawing, please contact one of the ERNI companies before using.		Designation <b>Messl. SMC-B 12-SMD-BA7-03</b> <b>Male SMC-B 12-SMD-type7-03</b>	
Subject to modification without prior notice. Drawing will not be updated.		 www.ERNI.com	<b>101800100001</b>	
d	18.10.2011		Class SMCB	
Index	Date	K A3		

Copyright by ERNI GmbH. Proprietary notice pursuant to ISO 16018 to be observed.