

φ172mm

San Ace 172

- 25mm thick(Sidecut type)
- 51mm thick(Sidecut type SG type)
- 51mm thick(Sidecut type GV type)
- 51mm thick(Sidecut type)
- 51mm thick(Round type)



General Specifications

- Material Frame: Aluminum, Impeller: Plastics (Flammability: UL94V-1)
- Expected Life Refer to specifications (L10:Survival rate:90% at 60°C , rated voltage, and continuously run in a free air state)
- Lead Wire ⊕red ⊖black or blue (Sensor) yellow
- Storage Temperature -30°C to +70°C (Non-condensing)

φ172mm×51mm (Mass : 780g) **Round type**

Specifications

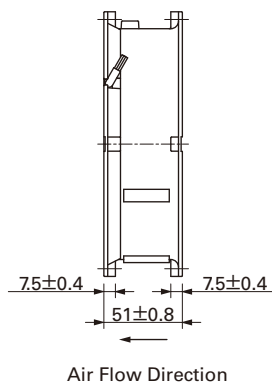
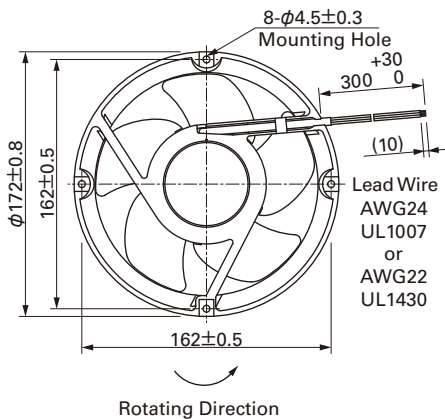
The following nos. **have pulse sensors.**

Model No.	Rated Voltage [V]	Operating Voltage Range [V]	Rated Current [A]	Rated Input [W]	Rated Speed [min ⁻¹]	Max. Air Flow [m ³ /min] [CFM]	Max. Static Pressure [Pa] [inchH ₂ O]	SPL [dB(A)]	Operating Temperature [°C]	Expected Life [h]
109E1712K501	12	10.2 to 13.8	2.9	34.8	4,100	8.5 300	243.0 0.976	55	-10 to +60	40,000
109E1712Y501			2.3	27.6	3,800	7.8 276	210.0 0.843	53		
109E1712H501			1.2	14.4	3,050	6.4 226	137.2 0.551	47		
109E1712F501			0.9	10.8	2,500	5.1 180	95.0 0.382	42		
109E1712M501			0.48	5.76	2,000	4.2 148	67.6 0.271	36		
109E1724C501	24	20.4 to 27.6	2.3	55.2	4,800	9.9 350	308.0 1.237	60	-10 to +70	
109E1724K501			1.3	31.2	4,100	8.5 300	243.0 0.976	55		
109E1724H501			0.58	13.92	3,050	6.4 226	137.2 0.551	47		
109E1724F501			0.35	8.4	2,500	5.1 180	95 0.382	42		
109E1724M501			0.2	4.8	2,000	4.2 148	67.6 0.271	36		
109E1748C501	48	40.8 to 55.2	1.2	57.6	4,800	9.9 350	308.0 1.237	60	-10 to +60	
109E1748K501			0.7	33.6	4,100	8.5 300	243.0 0.976	55		
109E1748H501			0.28	13.44	3,050	6.4 226	137.2 0.551	47		
109E1748F501			0.19	9.12	2,500	5.1 180	95 0.382	42		
109E1748M501			0.11	5.28	2,000	4.2 148	67.6 0.271	36		

Available options: ⇒ **Without Sensor**

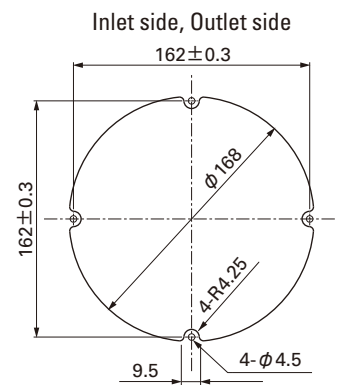
Please inquire as the availability of these functions depend on the model. ⇒ **Lock Sensor** **Low speed Sensor** **PWM Control**

Dimensions (Unit : mm)



Reference dimension of

mounting holes and vent opening (Unit : mm)

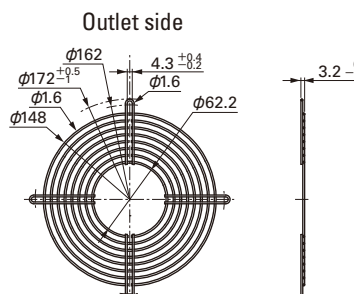
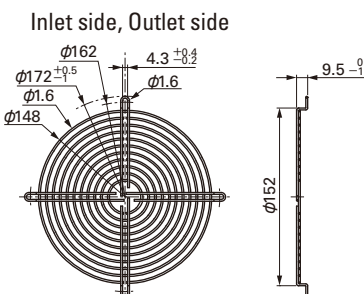


Options (Unit : mm)

Finger guards

Model : 109-1066 Surface treatment : Nickel-chrome plating (silver) Color

Model : 109-1068 Surface treatment : Nickel-chrome plating (silver) Color

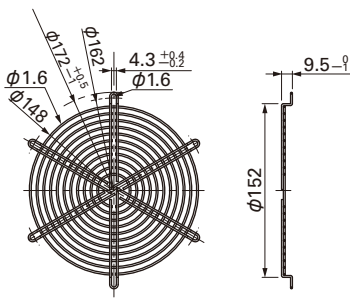


Options (Unit : mm)

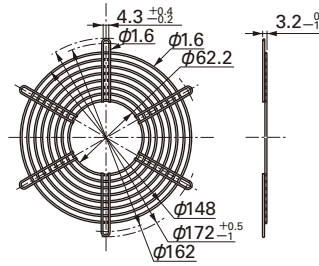
Model : 109-319E Surface treatment : Nickel-chrome plating (silver)
 : 109-319H : Cation electropainting (black)

Model : 109-320 Surface treatment : Nickel-chrome plating (silver)
 Color : Cation electropainting (black)

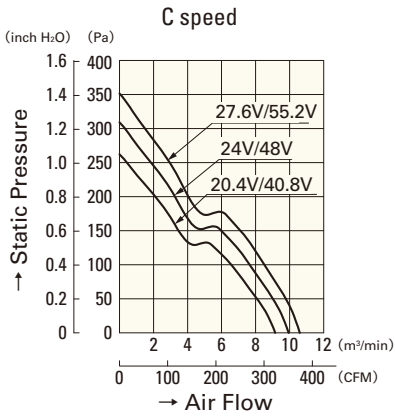
Inlet side, Outlet side



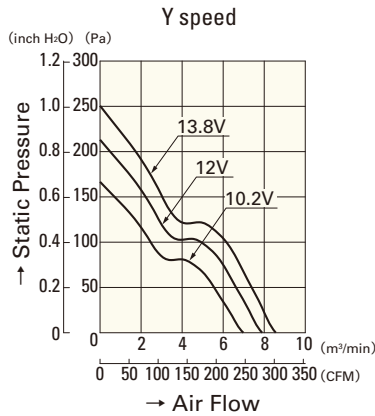
Outlet side



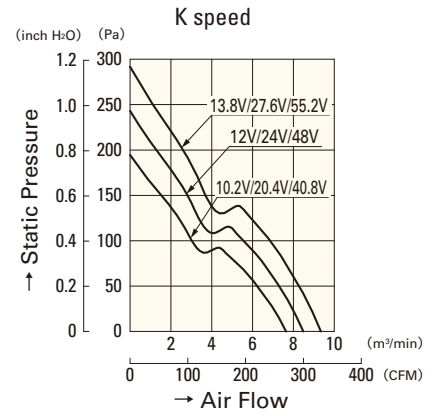
Air Flow - Static Pressure Characteristics



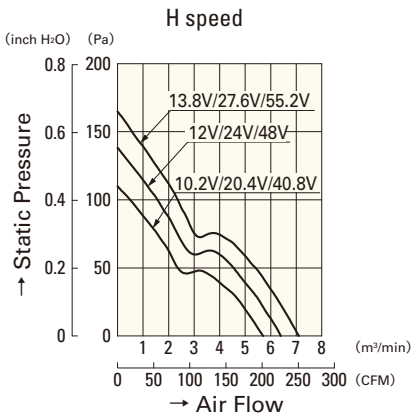
109E1724C501
109E1748C501



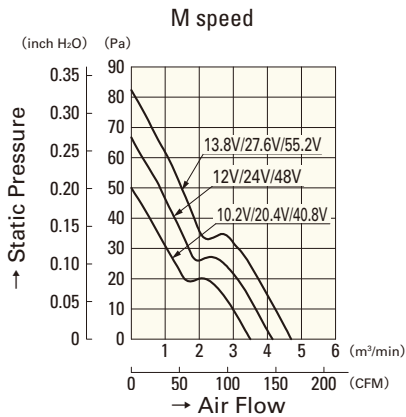
109E1712Y501



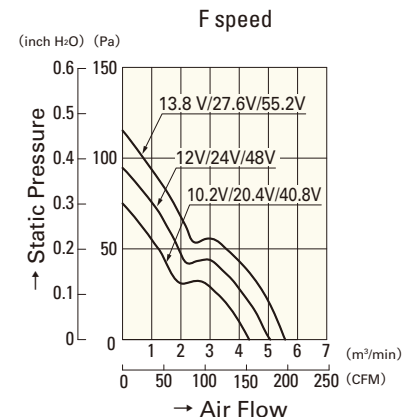
109E1712K501
109E1724K501
109E1748K501



109E1712H501
109E1724H501
109E1748H501



109E1712M501
109E1724M501
109E1748M501



109E1712F501
109E1724F501
109E1748F501