

1870VE • 1870WE SERIES

■ Features

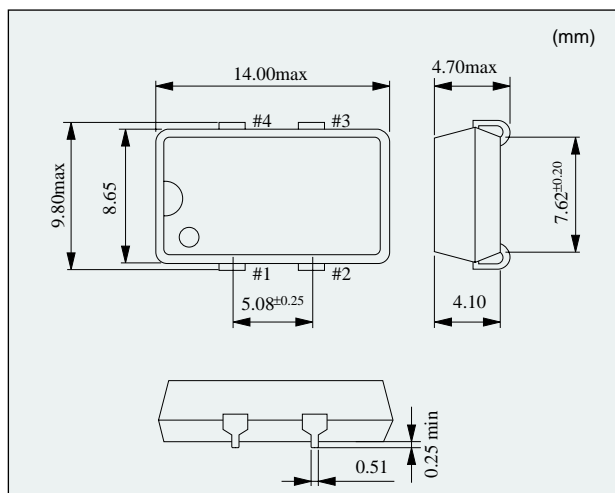
- Directly drives C-MOS IC.
- The PLL technology enables this series to cover the frequency range from 1 to 125MHz.
- The frequency writing technology makes quick delivery possible.
- Stand-by function for output (Tri-state output).
- Compact and light weight : height 4.7mm, volume 0.4cm³, weight 1.5g.
- High reliability.
(metal hermetic sealed crystal unit is inhoused)
- Applicable for reflow automatic mounting processes.
- Static electricity proof packaging : tape & reel.

■ **Absolute Maximum Rating**
Supply Voltage (V_{DD}) -0.5~+7.0V DC
Storage Temperature Range -55~+125°C

Item	Model	1870VE	1870WE
Output Level		C-MOS	
Frequency Range	(MHz)	1~125	
Frequency Stability	($\times 10^{-6}$)	$\pm 50, \pm 100$	
Operating Temp. Range	(°C)	-20~+70	
Supply Voltage	(V)	5.0 \pm 10%	
Current Consumption (+5V, at 25°C)		45mA (max)	
	stand-by	30mA (max)	50 μ A (max)
V _{OL} max / V _{OH} min	(V)	0.4/V _{DD} -0.4 I _{OL} =8mA, I _{OH} =-8mA	
Tr max/Tf max	(ns)	3/3 (at 0.2V _{DD} -0.8V _{DD})	
Duty Cycle	(%)	45~55 (\leq 66.7MHz), 40~60(>66.7MHz): at 1/2V _{DD}	
Fanout (gate)	C _L (pF)	25	
Stand-by Function		Yes (tri-state)	
Jitter	P-P (ps)	250 max (<33MHz), 200 max (\geq 33MHz): at C _L =15pF	

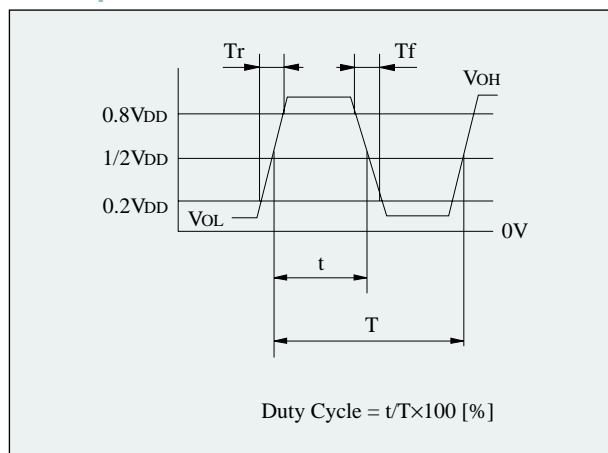
Note : If requested, Operating Temp. Range -40~+85°C (Frequency 40MHz max./Frequency Stability $\pm 100 \times 10^{-6}$) is available.

■ 1870VE • 1870WE Series Outline



PIN	Connection
# 1	STAND-BY
# 2	GND
# 3	OUTPUT
# 4	+5VDC

■ Output Wave <C-MOS>



■ Stand-by Function

# 1 pin input	# 3 pin output
H level (+2.0 Vmin) or open	Operating
L level (+0.8 Vmax)	High impedance (Weak pull down)