

**PLEASE CHECK WWW.MOLEX.COM FOR LATEST PART INFORMATION**

**Part Number:** [98780-1018](#)  
**Status:** **Active**  
**Description:** 2.54mm Pitch, Male Header, PA 4.6, 6 Circuits, Dual Row, Black

**Documents:**

[Drawing \(PDF\)](#) [RoHS Certificate of Compliance \(PDF\)](#)  
[Application Specification AS-98787-001 \(PDF\)](#)

**General**

Product Family	Crimp Housings
Series	<a href="#">98780</a>
Application	Power, Wire-to-Wire
Product Name	N/A
UPC	822348815234

**Physical**

Circuits (maximum)	6
Circuits Detail	6
Color - Resin	Gray
Gender	Female
Glow-Wire Compliant	No
Lock to Mating Part	Yes
Material - Resin	Polyester
Net Weight	3.098/g
Number of Rows	2
Packaging Type	Bag
Panel Mount	No
Pitch - Mating Interface	2.54mm
Pitch - Termination Interface	2.54mm
Polarized to Mating Part	Yes
Ports	1
Stackable	No
Temperature Range - Operating	-40°C to +80°C

**Solder Process Data**

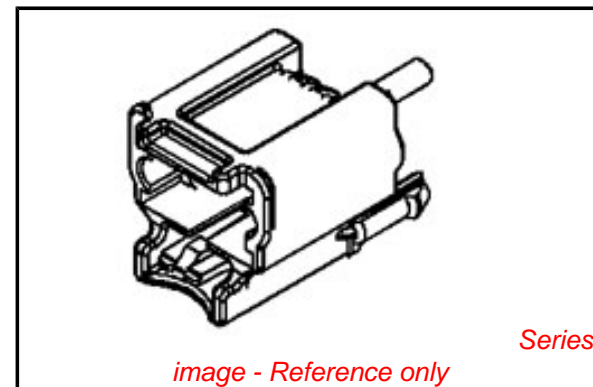
Duration at Max. Process Temperature (seconds)	40
Lead-free Process Capability	SMC & Wave Capable (TH only)
Max. Cycles at Max. Process Temperature	1
Process Temperature max. C	265

**Material Info**

Old Part Number	18818EV6F8
-----------------	------------

**Reference - Drawing Numbers**

Application Specification	AS-98787-001
Sales Drawing	SD-98787-001



**EU RoHS**

**ELV and RoHS  
Compliant**  
**REACH SVHC  
Contains SVHC: No**  
**Low-Halogen Status  
Low-Halogen**

**China RoHS**



**Need more information on product  
environmental compliance?**

Email [productcompliance@molex.com](mailto:productcompliance@molex.com)  
 For a multiple part number RoHS Certificate of  
 Compliance, [click here](#)

Please visit the [Contact Us](#) section for any  
 non-product compliance questions.

**Search Parts in this Series**

[98780Series](#)

**Mates With**

[98786-1011 MOX Receptacle Housing](#)