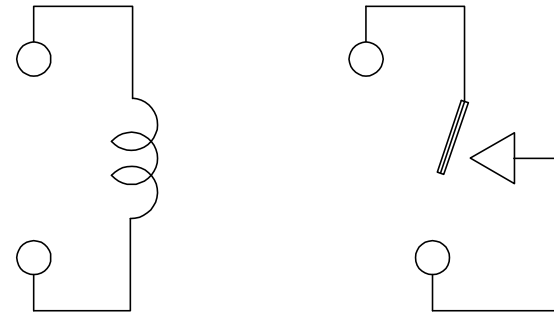
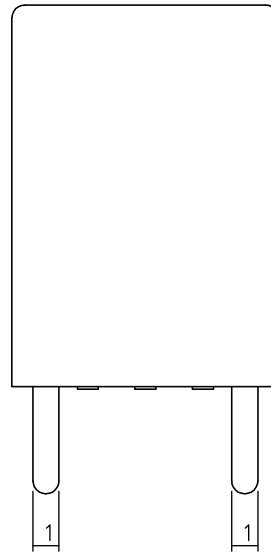
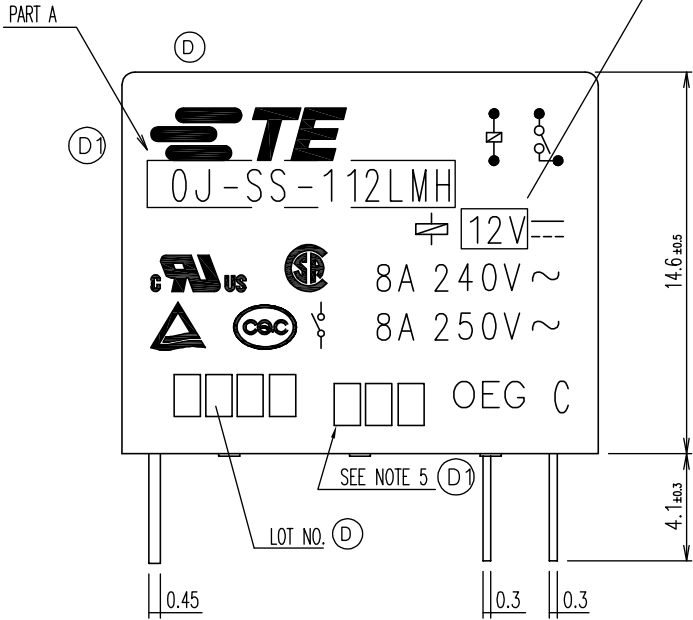


THIS DRAWING IS UNPUBLISHED. RELEASED FOR PUBLICATION
 © COPYRIGHT - By - TE CONNECTIVITY ALL RIGHTS RESERVED.

LOC	DIST	REVISIONS					
		P	LTR	DESCRIPTION	DATE	DWN	APVD
HB	-		D1	CHANGE LOGO&ADD LINE IDENTIFICATION ECO-12-001771	21Aug2012	HYS	YBH



CONNECTION FIGURE

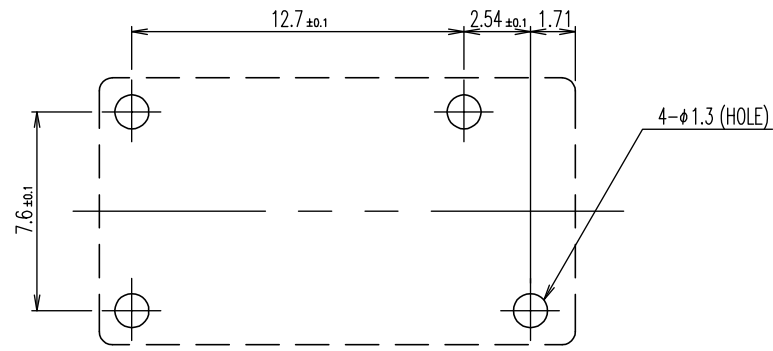
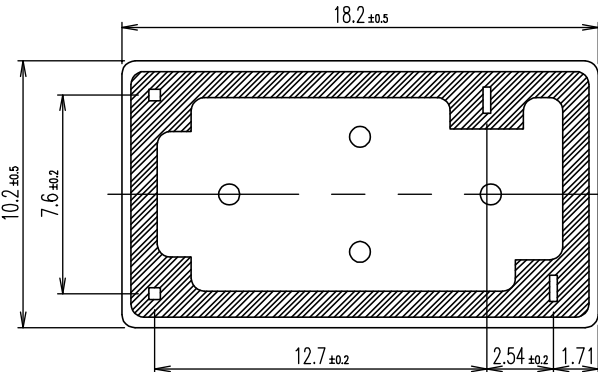


FIGURE FOR PRINTED CIRCUIT BOARD PROCESSING (BOTTOM VIEW)



THIS DRAWING IS A CONTROLLED DOCUMENT.		DWN	H.Sasaki		TE Connectivity OJ-SS-LMH CUSTOMER DRAWING	
DIMENSIONS: mm		CHK	Y.Oikawa			
TOLERANCES UNLESS OTHERWISE SPECIFIED:		APVD	A.Nagai			
0 PLC ± - 1 PLC ± - 2 PLC ± - 3 PLC ± - 4 PLC ± - ANGLES ± -		PRODUCT SPEC	-			
MATERIAL	FINISH	APPLICATION SPEC	SIZE	CAGE CODE	DRAWING NO	RESTRICTED TO
-	-	-	A3	00779	G= 1461080	-
CUSTOMER DRAWING			SCALE	5:1	SHEET	1 of 2
			REV	D1		

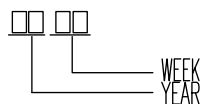
THIS DRAWING IS UNPUBLISHED. RELEASED FOR PUBLICATION
 © COPYRIGHT - By - TE CONNECTIVITY ALL RIGHTS RESERVED.

LOC	DIST	REVISIONS					
		P	LTR	DESCRIPTION	DATE	DWN	APVD
HB	-		-	SEE SHEET 1	-	-	-

PART STATUS	TE PART NO	TE TYPE NAME	PACKAGE SPEC.	PART B	PART A	TYPE
ACTIVE	4-1419144-4	OJ-SS-124LMH	107-79010	24V	OJ-SS-124LMH	g
ⓓⓐ OBSOLETE	1-1461080-1	OJ-SS-118LMH	107-79010	18V	OJ-SS-118LMH	f
ACTIVE	2-1419129-5	OJ-SS-112LMH	107-79010	12V	OJ-SS-112LMH	e
ACTIVE	1461080-3	OJ-SS-109LMH	107-79010	9V	OJ-SS-109LMH	d
ⓓⓐ OBSOLETE	4-1419144-0	OJ-SS-106LMH	107-79010	6V	OJ-SS-106LMH	c
ACTIVE	1461080-2	OJ-SS-105LMH	107-79010	5V	OJ-SS-105LMH	b
ⓓⓐ OBSOLETE	1461080-1	OJ-SS-103LMH	107-79010	3V	OJ-SS-103LMH	a

RELAY TYPE

ⓓⓐ NOTES:
 1. LOT NO. SYSTEM AS FOLLOWING:



ⓓⓐ 2. TERMINAL DIMENSION IS BEFORE SOLDER DIP;

ⓓⓐ 3. FOR THE TIN-PLATING OF THE PINS:
 +0.1mm FOR WIDTH, THICKNESS AND DIAMETER.
 +0.5mm FOR LENGTH.

ⓓⓐ 4. MARKING FROM INK TO LASER.

ⓓⓐ 5. ADD LOT NO. SYSTEM AS FOLLOWING;
 I, DIGITS FOR DAY OF THE WEEK
 1...MONDAY IN THIS WEEK;
 2...TUESDAY IN THIS WEEK;

 7...SUNDAY IN THIS WEEK
 II, DIGITS FOR SHIFT OF THE DAY
 1...DAY SHIFT IN THIS DAY;
 2...NIGHT SHIFT IN THIS DAY;
 III, ONE CHARACTER DISTINGUISH THE LINE IDENTITY,
 SUCH AS: A,B,.....Z

		EPOXY RESIN	SEAL (BASE & BOBBIN)	ITEM
		3UEW	MAGNETIC WIRE	14
94V-0		P.B.T	CASE	13
94V-0		P.B.T	BASE	12
94V-0		P.B.T	BOBBIN	11
	SOLDER DIP	C.P WIRE	COIL TERMINAL	10
94V-0		P.P.S	CARD	9
		Ag ALLOY	MOVABLE CONTACT	8
		Ag ALLOY	NO.CONTACT	7
		STEEL	HINGE SPRING	6
	SOLDER DIP	Cu ALLOY	NO.TERMINAL	5
	SOLDER DIP	Cu ALLOY	MOVABLE SPRING	4
	NIP	STEEL	CORE	3
	NIP	STEEL	ARMATURE	2
	NIP	STEEL	YOKE	1
INCOMBUSTIBILITY	TREATMENT	MATERIAL	DESCRIPTION	ITEM

THIS DRAWING IS A CONTROLLED DOCUMENT.		DWN	H.Sasaki		 TE Connectivity OJ-SS-LMH CUSTOMER DRAWING				
DIMENSIONS: mm		CHK	Y.Oikawa						
TOLERANCES UNLESS OTHERWISE SPECIFIED:		APVD	A.Nagai						
0 PLC ± - 1 PLC ± - 2 PLC ± - 3 PLC ± - 4 PLC ± - ANGLES ± -		PRODUCT SPEC	-						
MATERIAL	FINISH	APPLICATION SPEC	-		SIZE	CAGE CODE	DRAWING NO	RESTRICTED TO	
-	-	WEIGHT	-		A3	00779	G= 1461080	-	
CUSTOMER DRAWING				SCALE	5:1	SHEET	2 of 2	REV	D1