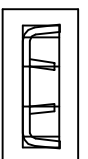
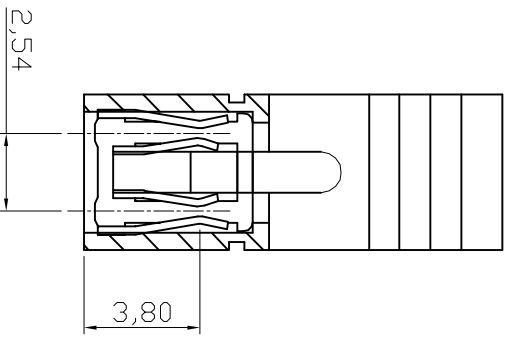
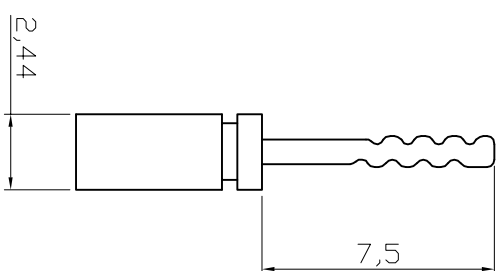
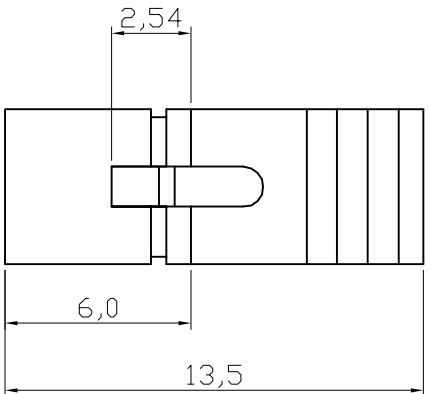


1	2	3	4	5	6	7
---	---	---	---	---	---	---



- NOTES:**
1. Insulation: Nylon 66, UL94V-0
 2. Contact : Brass
 3. Plated: Gold Flash Plated Over Nickel
 4. Current Rating: 3A Max
 5. Dielectric Voltage: 1000V rms / 1 minute
 6. Insulation Resistance: 1000M ohm Min.
 7. Contact Resistance: 30m ohm Max.
 8. Operating and Storage Temperature: -40°C ~ +105°C
 9. Mating Cycles: 10 Min.

⑤ AKSPLTx BLACK& AKSPLTx RED

Contact Area Plating:
G: Gold Flash
Z: Tinned

RoHS compliant
Unit:mm

Scale	Free																
TOLERANCE																	
.X	±0.38	⑤	Add the order code: AKSPLTx RED	13.01.2014	Winnie	Drawn	21.03.2007	Hellwig	Customer-No.								
.XX	±0.25	④	Order code correction	07.01.2014	Winnie	Approved	07.01.2014	Winnie	ASSMANN WSW-No.	④ AKSPLTx BLACK							
.XXX	±0.13	③	Update	07.06.2013	Winnie				⑤ AKSPLTx RED								
DIM	TOL	②	Update	27.07.2009	Rale				Drawing-No.								
X.°	±1°								ASS 0327 CO								
Angle	TOL	①	RoHS compliant added	21.03.2007	Hellwig				Replace								
UNIT	mm		Modification														

1	2	3	4	5	6	7
---	---	---	---	---	---	---

rev05
SHEET

