



Pontiac Coil

2110 Queensway Searcy, AR 72143

Phone 501-268-6877 Website: www.pontiaccoil.com

Model L-90 DC Solenoid Open Frame, Pull Type

Pontiac Coil - Arkansas is an ISO 9001:2000 Certified Company

*Resistance values are $\pm 10\%$ at 25°C

Model Code	Part No.	Voltage	Duty Cycle	Power (W)	Resistance (Ω)*	Current (A)
L-90PL012D-C	F0461A	12VDC	Continuous	13	11.0	1.1
L-90PL012D-I	F0462A	12VDC	Intermittent	48	3.0	4.0
L-90PL024D-C	F0463A	24VDC	Continuous	13	44.0	0.6
L-90PL024D-I	F0464A	24VDC	Intermittent	48	12.0	2.0

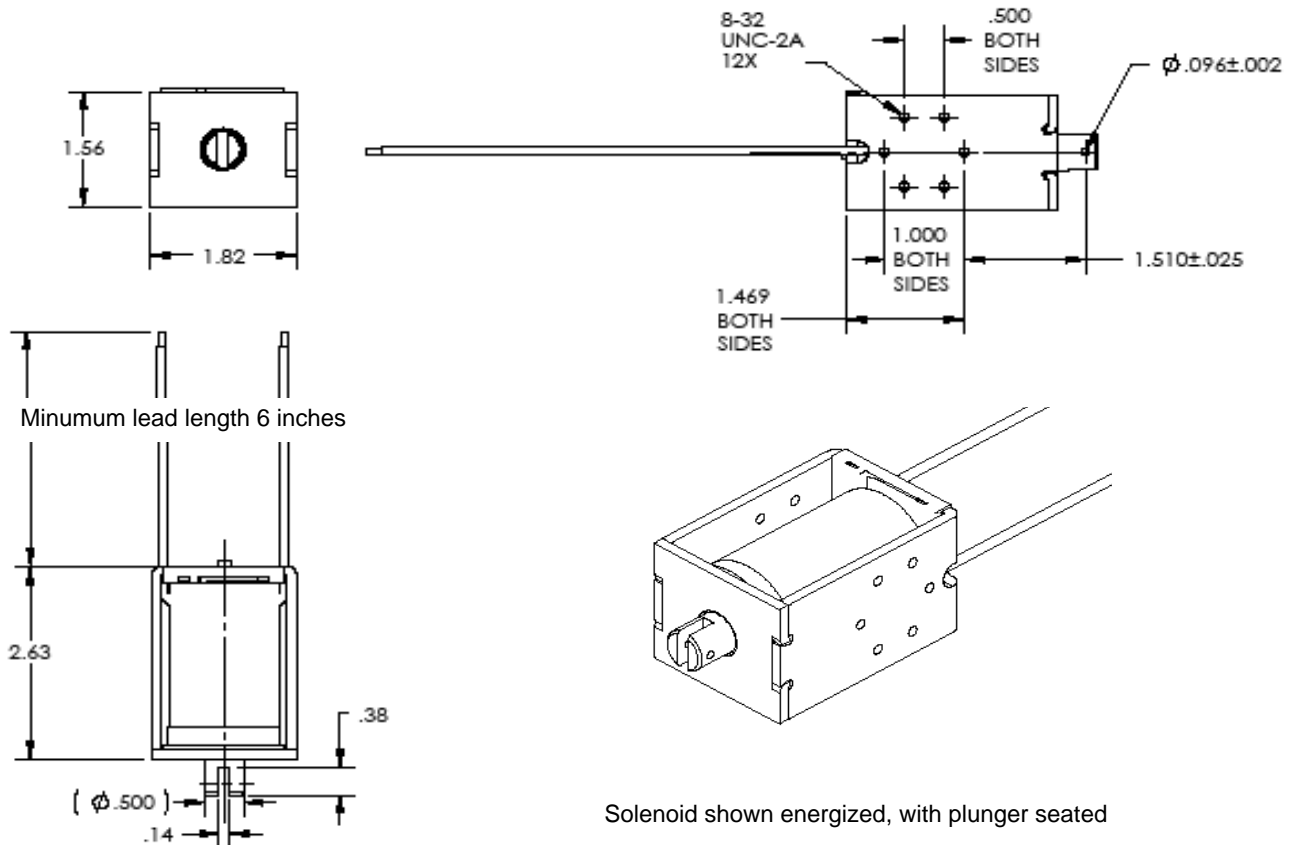
Definition of Duty Cycles:

Continuous = indefinite activation; **Intermittent** = 1 minute ON and 3 minutes OFF; **Pulse** = 100 msec. ON and 900 msec. OFF

Special order options: 6 to 48 volts DC or AC. Consult factory for other available modifications.

Stroke (in.):	Sealed	1/8	1/4	3/8	1/2	3/4	1	1-1/4
Cont. Duty force	212 oz.	114 oz.	62 oz.	35 oz.	23 oz.	13 oz.	8 oz.	5 oz.
Int. Duty force	250 oz.	176 oz.	131 oz.	95 oz.	72 oz.	44 oz.	28 oz.	16 oz.

Typical force values when operated at 100% rated voltage at 25°C. Derating required for lower voltage and higher temperature.



Solenoid shown energized, with plunger seated

Insulation Materials: UL Construction, Class B 130°C

Copper magnet wire insulation rated 155°C (class F)

Voltage Breakdown Strength: 1500 VAC RMS

Life Expectancy: 10 million operations