

## GENERAL DESCRIPTION

The LD1083 is a low dropout three terminal regulator with 7.5A output current capability. The output voltage is adjustable with the use of a resistor divider or fixed 1.5V/1.8V/2.5V/3.3V/5V. Dropout voltage is guaranteed to be at maximum of 1.5V with the maximum output current. Its low dropout voltage and fast transient response make it ideal for low voltage microprocessor applications. Current limit and thermal protection provide protection against any overload condition that would create excessive junction temperatures.

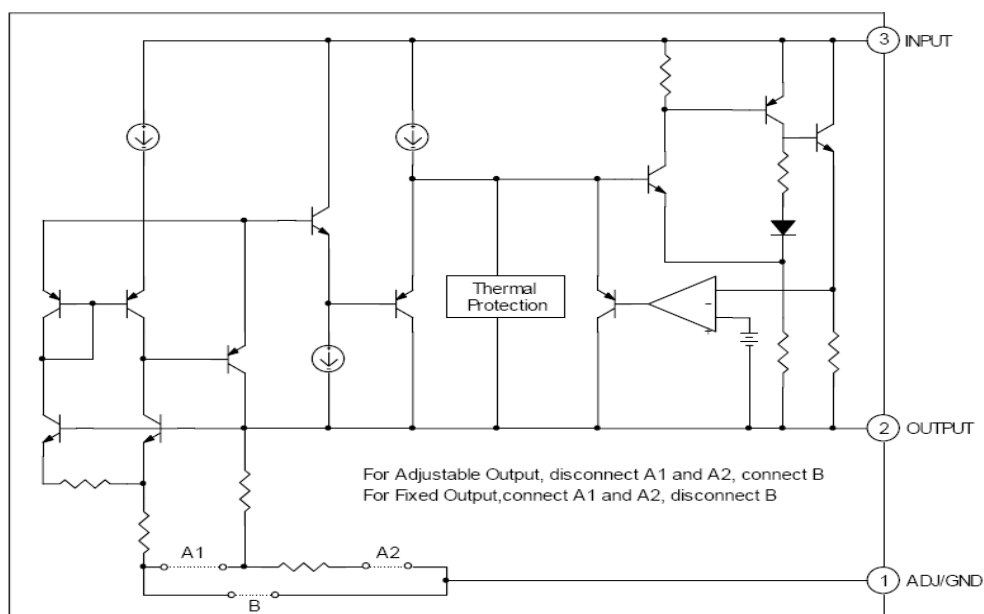
## FEATURES

- ◆ 1.5V Max. Dropout Voltage at 7.5A Output Current.
- ◆ Fast Transient Response.
- ◆ Extremely Tight Line and Load Regulation.
- ◆ Current Limiting and Thermal Protection.
- ◆ Adjustable Output Voltage or Fixed 1.5V, 1.8V,2.5V,3.3V,5.0V.

## APPLICATIONS

- Mother Board I/O Power Supplies
- Microprocessor Power Supplies.
- High Current Regulator
- Post Regulator for Switching Supply.
- Notebook Computers

## BLOCK DIAGRAM



# LD1083

## PIN DESCRIPTIONS

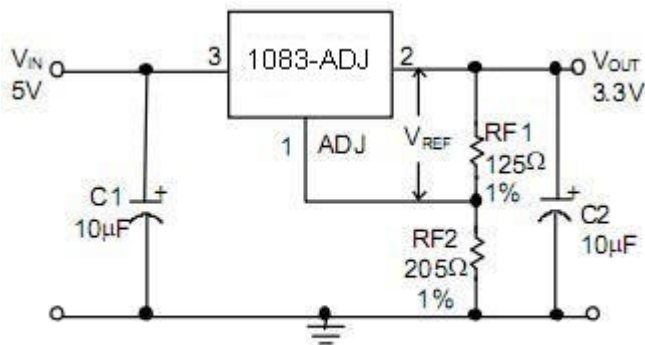
ADJ PIN - Providing  $V_{REF}=1.25V$  (typ.) for adjustable  $V_{OUT}$ .  $V_{REF}=V_{OUT}-V_{ADJ}$  and  $I_{ADJ}=60\mu A$  (typ.)

/GND PIN- Power ground.

VOUT PIN - Adjustable output voltage.

VIN PIN - Power Input.

## TYPICAL APPLICATION CIRCUIT



Adjustable Voltage Regulator

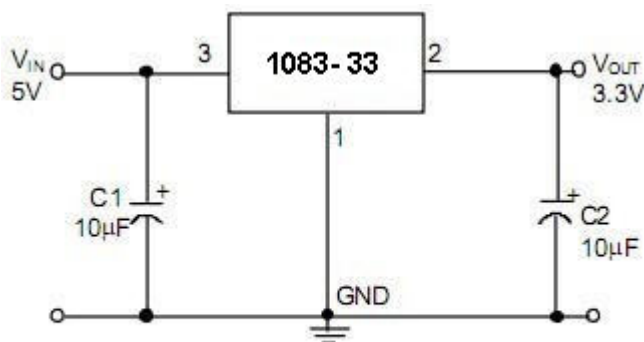
$$V_{REF}=V_{OUT} - V_{ADJ}=1.25V \text{ (typ.)}$$

$$V_{OUT}=V_{REF} \times (1+RF2/RF1)+ I_{ADJ} \times RF2$$

$$I_{ADJ}=60\mu A \text{ (typ.)}$$

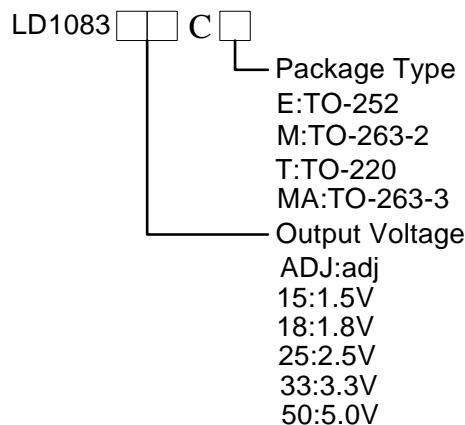
(1) C1 needed if device is far away from filter capacitors.

(2) C2 required for stability.

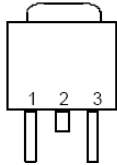
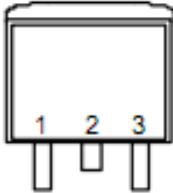
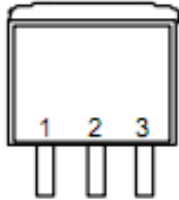
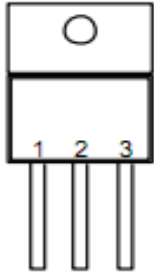


Fixed Voltage Regulator

## ORDERING INFORMATION



# LD1083

ORDER NUMBER	PIN CONFIGURATION
LD1083CE (TO-252)	FRONT VIEW 1: ADJ (GND) 2: VOUT (TAB) 3: VIN 
LD1083CM (TO-263-2)	FRONT VIEW 1: ADJ (GND) 2: VOUT (TAB) 3: VIN 
LD1083CMA (TO-263-3)	FRONT VIEW 1: ADJ (GND) 2: VOUT (TAB) 3: VIN 
LD1083CT (TO-220)	FRONT VIEW 1: ADJ (GND) 2: VOUT (TAB) 3: VIN 

## ABSOLUTE MAXIMUM RATINGS

Input Voltage(Note 1).....	30V
Operating Junction Temperature Range .....	-20°C~ 125°C
Storage Temperature Range .....	- 65°C ~ 150°C
Thermal Resistance Junction to Case TO-252 .....	15°C/W
TO-263-3, TO263-2, TO-220.....	6°C /W
Thermal Resistance Junction to Ambient TO-252 .....	100°C/W
(Assume no ambient airflow, no heatsink) TO-263-2 ...	60°C /W
TO-263-3 ...	60°C /W
TO-220 ...	50°C /W
Lead Temperature (Soldering) 10 sec. ....	260°C

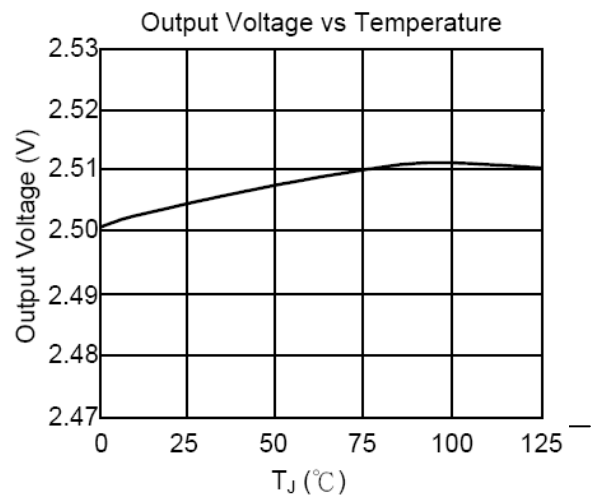
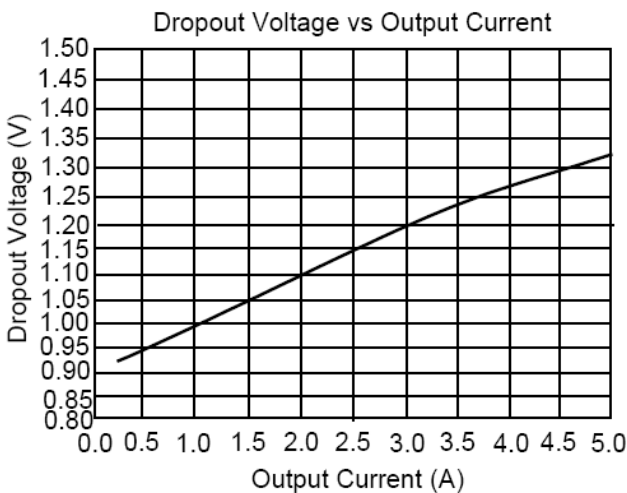
# LD1083

Note 1: Although the devices maximum operating voltage is limited, The devices are guaranteed to withstand transient input voltages up to 30V. For input voltages greater than the maximum operating input voltage some degradation of specifications will occur. For input/output voltage differentials greater than 12V, a minimum external load of 5mA is required to maintain regulation.

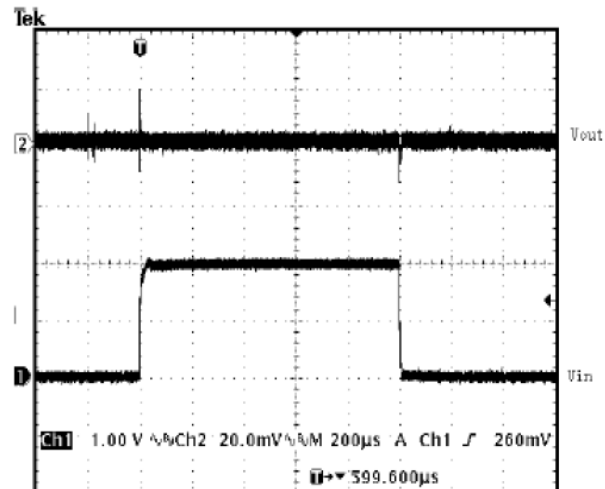
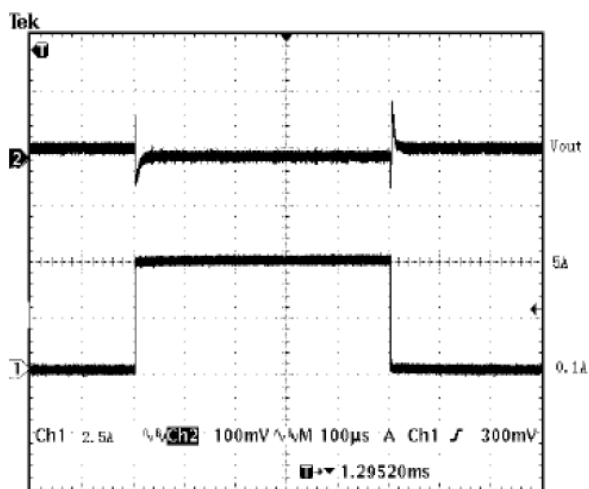
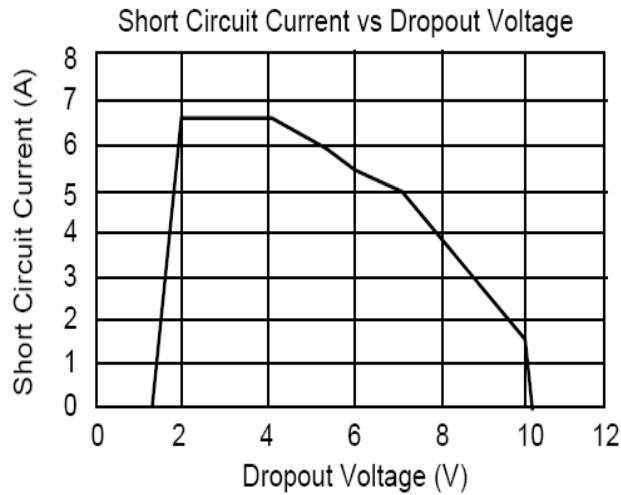
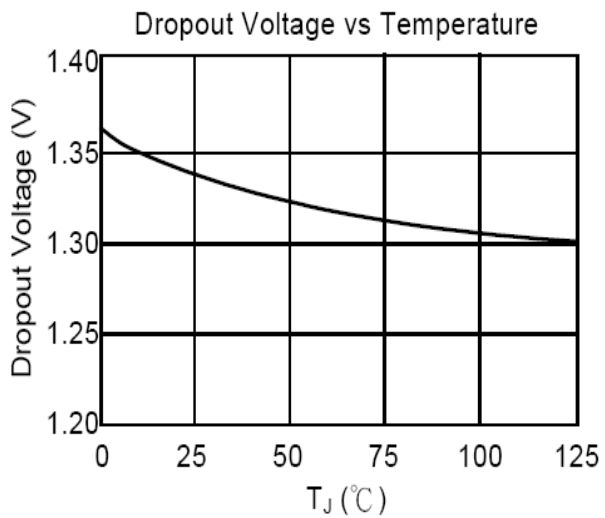
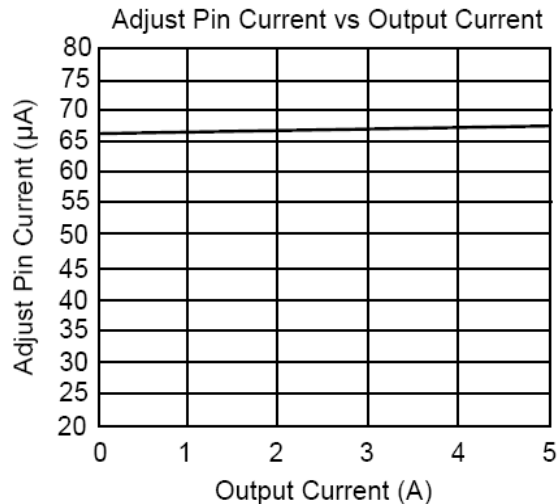
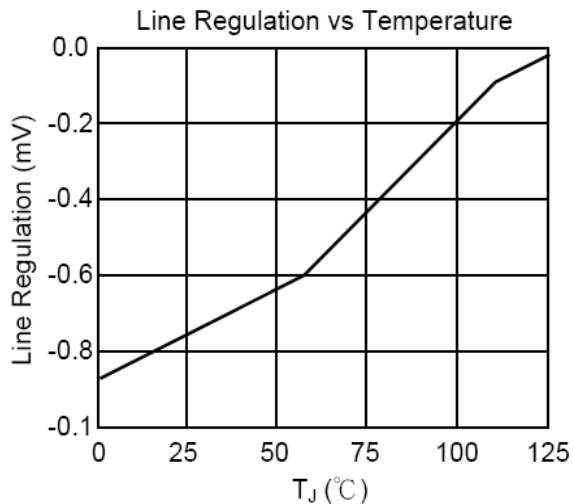
**ELECTRICAL CHARACTERISTICS** ( $V_{IN} \leq 10V$ ,  $T_J = 25^\circ C$ ,  $I_O = 10mA$ , Unless otherwise specified)

PARAMETER	TEST CONDITIONS	MIN.	TYP.	MAX.	UNIT
Reference Voltage	LD1083 (ADJ) $1.5V \leq V_{IN} - V_{OUT} \leq 8V$	1.225	1.25	1.275	V
Output Voltage	LD1083-15 LD1083-18 LD1083-25 LD1083-33 LD1083-50	1.470 1.764 2.450 3.235 4.90	1.50 1.80 2.50 3.30 5.00	1.530 1.836 2.550 3.365 5.10	V
Line Regulation	$1.5V \leq V_{IN} - V_{OUT} \leq 10V$		0.02	0.5	%
Load Regulation	$10mA < I_O < 7.5A$			1	%
Dropout Voltage	$I_{OUT} = 7.5A, \Delta V_{OUT} = 1\% V_{OUT}$		1.3	1.5	V
Current Limit	$V_{IN} - V_{OUT} = 3V$	5.1			A
Adjusted Pin Current	$I_O = 10mA \sim 7.5A$ $1.5V \leq V_{IN} - V_{OUT} \leq 10V$		60	120	uA
Adjusted Pin Current Change ( $\Delta I_{ADJ}$ )	$I_O = 10mA \sim 7.5A$ $1.5V \leq V_{IN} - V_{OUT} \leq 10V$		0.2	5	uA
Temperature Stability	$I_O = 10mA$		0.5		%
Minimum Load Current	$1.5V \leq V_{IN} - V_{OUT} \leq 10V$		5	10	mA
RMS Output Noise (% of $V_{OUT}$ )	$10Hz \leq f \leq 10KHz$		0.003		%
Ripple Rejection Ratio	120Hz input ripple $C_{OUT} = 25\mu f$ $(V_{IN} - V_{OUT}) = 3V$		60	72	dB

**TYPICAL PERFORMANCE CHARACTERISTICS**



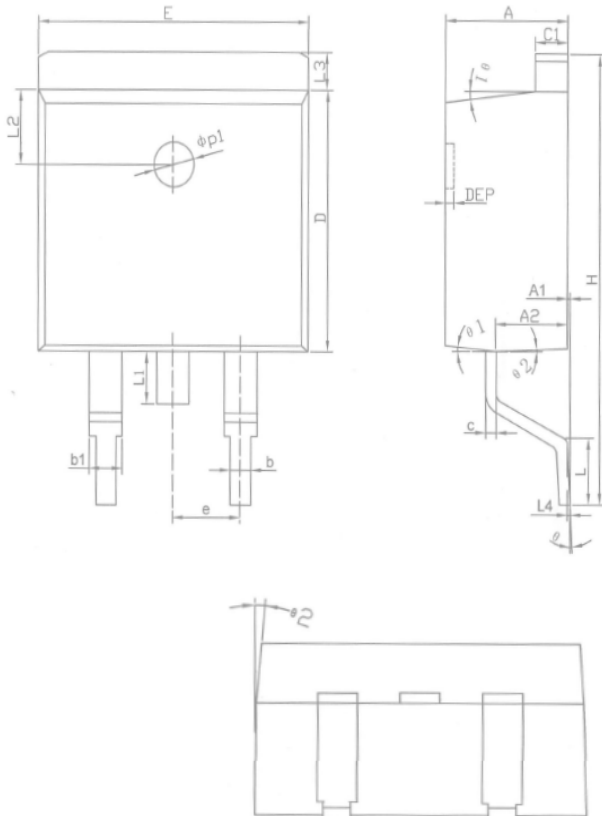
# LD1083



**Load Transient Response**

**Line Transient Response**

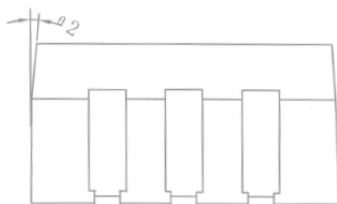
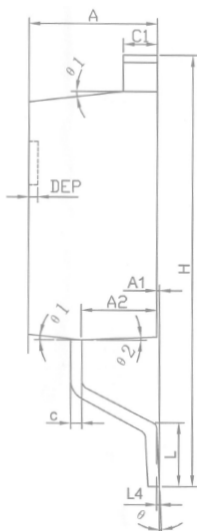
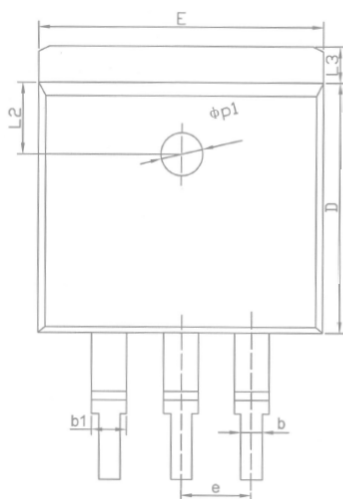
**PACKAGE INFORMATION**



COMMON DIMENSIONS

SYMBOL	MILLIMETER			INCHES		
	MIN	NDM	MAX	MIN	NDM	MAX
A	4.40	4.57	4.70	0.173	0.180	0.185
A1	0	0.10	0.25	0	0.004	0.010
A2	2.59	2.69	2.79	0.102	0.106	0.110
b	0.77	-	0.90	0.030	-	0.035
b1	1.23	-	1.36	0.048	-	0.054
c	0.34	-	0.47	0.013	-	0.019
C1	1.22	-	1.32	0.048	-	0.052
D	8.60	8.70	8.80	0.338	0.343	0.346
E	10.06	10.16	10.26	0.396	0.4	0.404
e	2.54BSC			0.1BSC		
H	14.70	15.10	15.50	0.579	0.594	0.610
L	2.00	2.30	2.60	0.079	0.090	0.102
L3	1.17	1.27	1.40	0.046	0.050	0.055
L1	-	-	1.70	-	-	0.067
L4	0.25BSC			0.01BSC		
L2	2.50REF			0.098REF		
$\theta$	0°	-	8°	0°	-	8°
$\theta 1$	5°	7°	9°	5°	7°	9°
$\theta 2$	1°	3°	5°	1°	3°	5°
DEP	0.05	0.10	0.20	0.002	0.004	0.008
$\phi p1$	1.40	1.50	1.60	0.055	0.059	0.063

NOTES:  
 1. ALL DIMENSIONS REFER TO JEDEC STANDARD TO263-2L DO NOT INCLUDE MOLD FLASH OR PROTRUSIONS



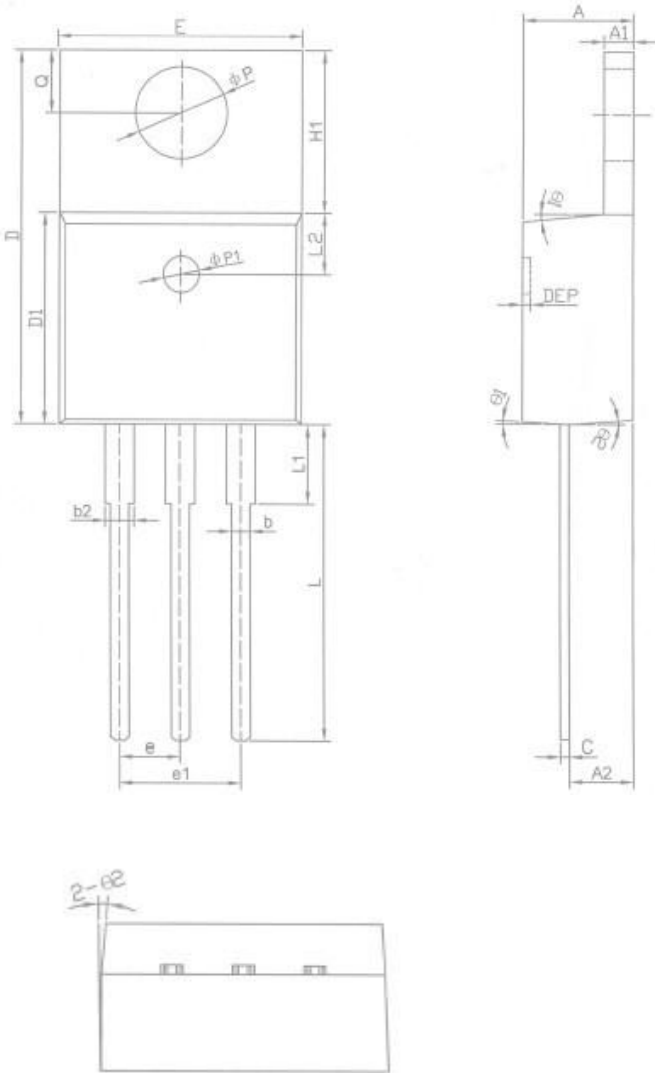
COMMON DIMENSIONS

SYMBOL	MILLIMETER			INCHES		
	MIN	NOM	MAX	MIN	NOM	MAX
A	4.40	4.57	4.70	0.173	0.180	0.185
A1	0	0.10	0.25	0	0.004	0.010
A2	2.59	2.69	2.79	0.102	0.106	0.110
b	0.77	-	0.90	0.030	-	0.035
b1	1.23	-	1.36	0.048	-	0.054
c	0.34	-	0.47	0.013	-	0.019
c1	1.22	-	1.32	0.048	-	0.052
D	8.60	8.70	8.80	0.338	0.343	0.346
E	10.06	10.16	10.26	0.396	0.4	0.404
e	2.54BSC			0.1BSC		
H	14.70	15.10	15.50	0.579	0.594	0.610
L	2.00	2.30	2.60	0.079	0.090	0.102
L3	1.17	1.27	1.40	0.046	0.050	0.055
L4	0.25BSC			0.01BSC		
L2	2.50REF			0.098REF		
θ	0°	-	8°	0°	-	8°
θ1	5°	7°	9°	5°	7°	9°
θ2	1°	3°	5°	1°	3°	5°
DEP	0.05	0.10	0.20	0.002	0.004	0.008
φp1	1.40	1.50	1.60	0.055	0.059	0.063

NOTES:

1. ALL DIMENSIONS REFER TO JEDEC STANDARD TO263-3L DO NOT INCLUDE MOLD FLASH OR PROTRUSIONS

# LD1083



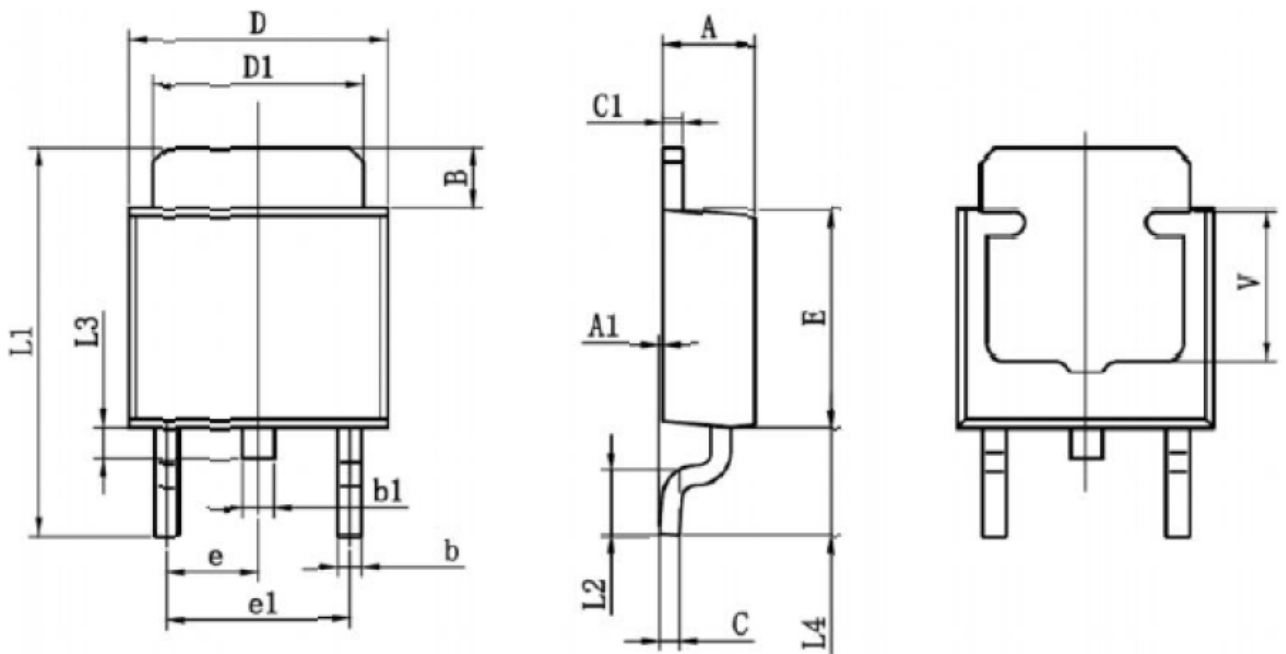
COMMON DIMENSIONS

SYMBOL	MILLIMETER			INCHES		
	MIN	NDM	MAX	MIN	NDM	MAX
A	4.40	4.57	4.70	0.173	0.180	0.185
A1	1.22	-	1.32	0.048	-	0.052
A2	2.59	2.69	2.79	0.102	0.106	0.110
b	0.77	-	0.90	0.030	-	0.035
b2	1.23	-	1.36	0.048	-	0.054
c	0.34	-	0.47	0.013	-	0.019
D	14.70	15.00	15.30	0.579	0.591	0.602
D1	8.60	8.70	8.80	0.338	0.343	0.346
E	10.06	10.16	10.26	0.396	0.400	0.404
e	2.54BSC			0.1BSC		
e1	5.08BSC			0.2BSC		
H1	6.10	6.30	6.50	0.240	0.248	0.256
L	13.15	-	13.57	0.518	-	0.534
L1	-	-	4.35	-	-	0.171
L2	2.50REF			0.098REF		
$\Phi P$	3.80	3.84	3.88	0.149	0.151	0.153
$\Phi$	2.60	-	2.90	0.102	-	0.114
$\theta1$	5°	7°	9°	5°	7°	9°
$\theta2$	1°	3°	5°	1°	3°	5°
DEP	0.05	0.1	0.2	0.002	0.004	0.008
$\Phi p1$	1.4	1.5	1.6	0.055	0.059	0.063

NOTES:  
 1. ALL DIMENSIONS REFER TO JEDEC STANDARD TO-220AB DO NOT INCLUDE MOLD FLASH OR PROTRUSIONS



# LD1083



Symbol	Dimensions In Millimeters		Dimensions In Inches	
	Min	Max	Min	Max
A	2.200	2.400	0.087	0.094
A1	0.000	0.127	0.000	0.005
B	1.350	1.650	0.053	0.065
b	0.500	0.700	0.020	0.028
b1	0.700	0.900	0.028	0.035
c	0.430	0.580	0.017	0.023
c1	0.430	0.580	0.014	0.023
D	6.350	6.650	0.250	0.262
D1	5.200	5.400	0.205	0.213
E	5.400	5.700	0.213	0.224
e	2.300TYP		0.0901TYP	
e1	4.500	4.700	0.177	0.185
L1	9.500	9.900	0.374	0.390
L2	1.400	1.780	0.055	0.070
L3	0.650	0.950	0.026	0.037
L4	2.550	2.900	0.100	0.114
V	3.80REF		0.150REF	