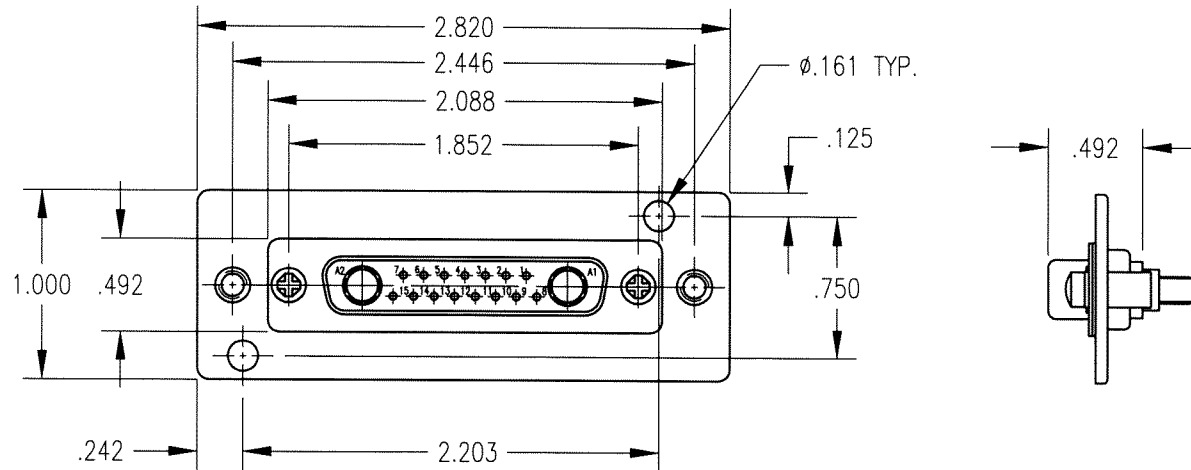
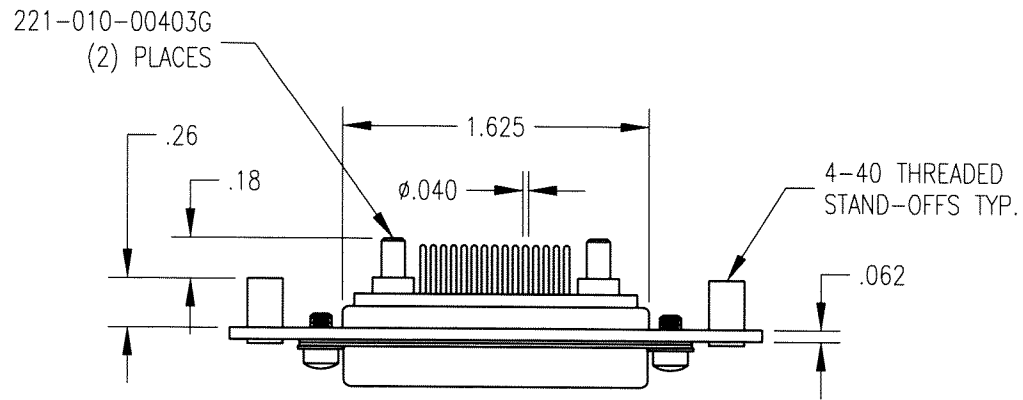


DWG. NO. RM200B-17W2S-1			
REV	DESCRIPTION	BY DATE	APPD
C	ECR 6917	10/02/01 MJJ	JEM



NOTES:

1. MATERIALS;

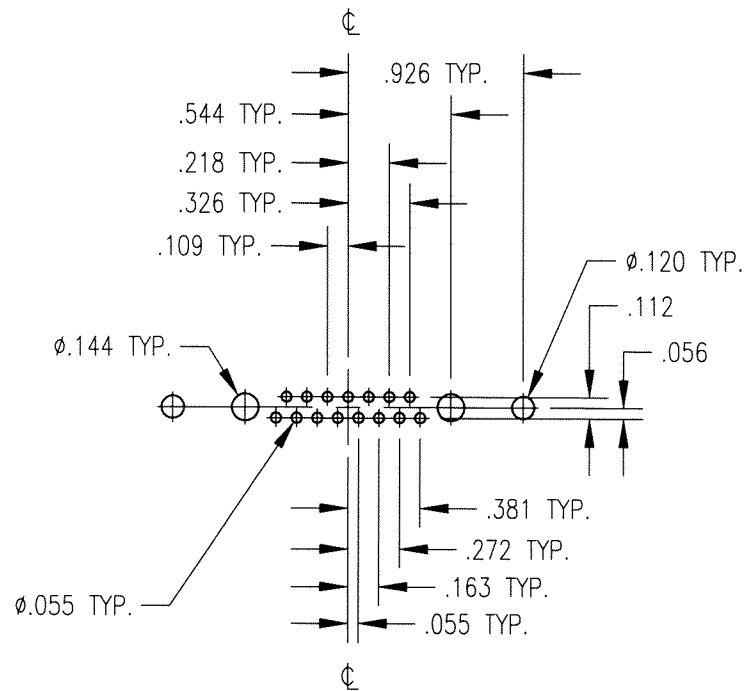
SHELL AND SCREWS: STEEL PER ASTM A568  
 CONTACT: COPPER ALLOY  
 INSULATOR: TEFLON PER ASTM D1710  
 GUIDE PIN PLATE: COLD ROLLED STEEL PER ASTM A620  
 STAND-OFFS: BRASS PER ASTM B16  
 FOR SIZE 8 CONTACT SPECIFICATION SEE CONTACT SALES DRAWING

2. FINISH:

SHELL, STAND-OFFS, GUIDE PLATE, AND SCREW: YELLOW CHROMATE OVER ZINC  
 INSULATOR: GREEN  
 CONTACTS: .000030 MIN. GOLD PER MIL-G-45204 OVER  
 NICKEL PER QQ-N-290  
 FOR SIZE 8 CONTACT SPECIFICATION SEE CONTACT SALES DRAWING.

PER ASME Y14.5M-1994 UNLESS OTHERWISE SPECIFIED: DIMENSIONS ARE IN INCHES [MM]				<b>Litton</b>			
TOLERANCES: DECIMALS xx ± 01/0.254 xxx ± .005/0.127 ANGLES ± 2'				Winchester/Retconn 400 Park Road Waterford, Connecticut 06795			
SCALE: 1:1				TITLE			
<b>CUSTOMER DRAWING</b>				17W2S D-SUB CONNECTOR			
DRAWN	DATE	CHECKED	DATE	A			
JWH	2/8/01	MJF	2/12/01	RM200B-17W2S-1			
APPROVED	DATE	APPROVED	DATE	SMT.	OF	REV.	
JEM	2/9/01	JED	2/9/01	1	2	C	

DWG. NO. RM200B-17W2S-1			
REV	DESCRIPTION	BY DATE	APPD
	SEE SHEET 1		



FOOTPRINT  
VIEWED FROM COMPONENT SIDE OF PCB

PER ASME Y14.5M-1994 UNLESS OTHERWISE SPECIFIED: DIMENSIONS ARE IN INCHES [MM]				<b>Litton</b> <b>Winchester/Retconn</b> 400 Park Road Watertown, Connecticut 06795		
TOLERANCES: DECIMALS xx ± .01/0.254 xxx ± .005/0.127 ANGLES ± 2° SCALE: 4:1						
<b>CUSTOMER DRAWING</b>				TITLE		
				17W2S D-SUB CONNECTOR		
DRAWN	DATE	CHECKED	DATE	A	RM200B-17W2S-1	
JWH	2/8/01	MJF	2/12/01			
APPROVED	DATE	APPROVED	DATE	SHT.	OF	REV.
JEM	2/12/01	JED	2/12/01	1	1	C