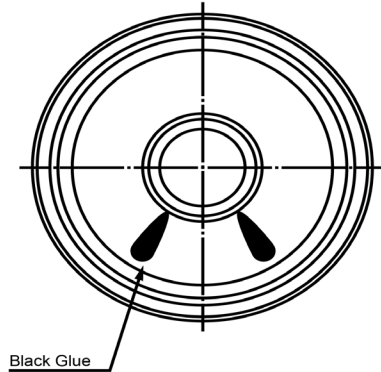
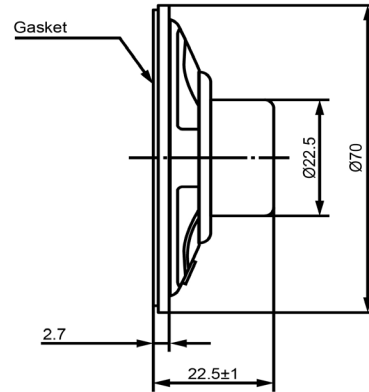


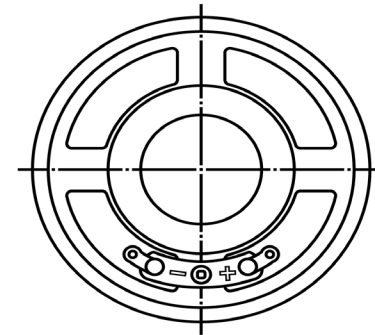
TOP VIEW





SIDE VIEW



BOTTOM VIEW



Specifications			Notes	Revision History							
Description	Value	Unit		Version	Description		Date	Approved			
Shape	Round		1) All dimensions are in mm unless otherwise noted 2) All parts meet RoHS	1	Released from Engineering		2/5/2014	J.S.			
Resonant Frequency	350	(Hz)									
Frequency Range	350 ~ 8,000	(Hz)									
SPL @ 10cm	104	(dBA)									
Impedance	8	(Ohm)									
Cone Material	Paper										
Nominal Power	0.5	(W)									
Max Power	0.8	(W)									
Mount Type	Flush Mount										
Operating Temperature	-30 ~ +70	°C									
Storage Temperature	-30 ~ +70	°C									
Weight	48	(g)									
 DB UNLIMITED			 DB UNLIMITED			Dynamic Speaker			SP700308-1		