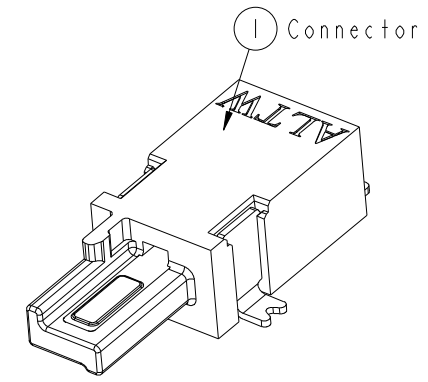
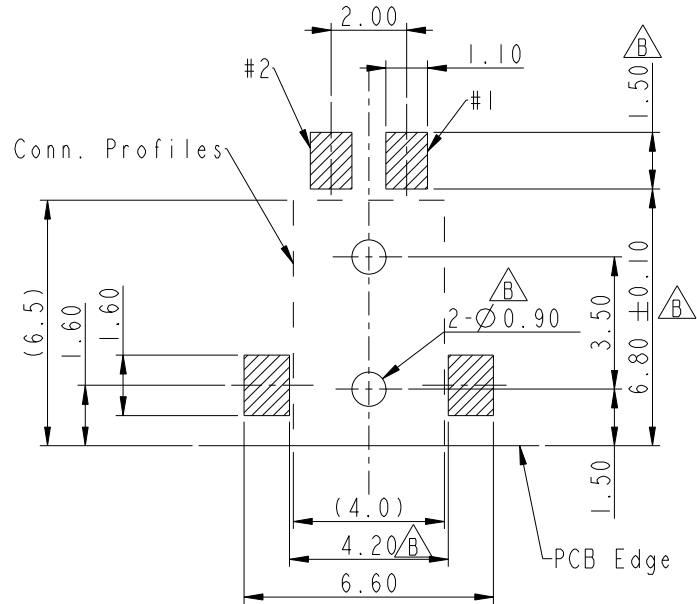
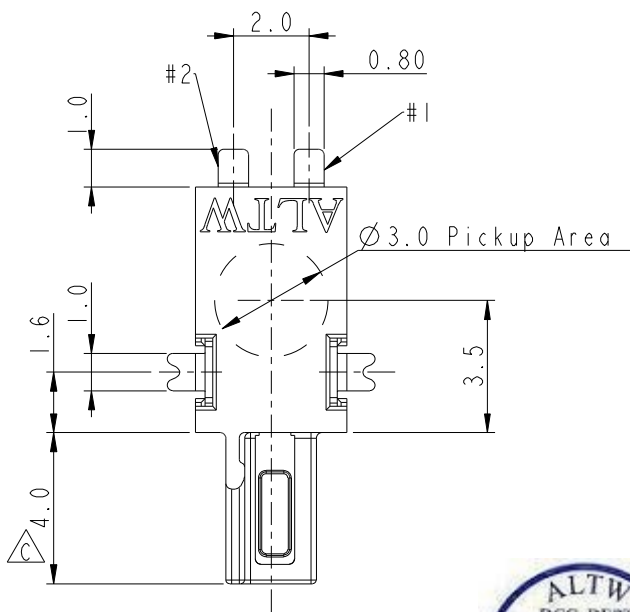
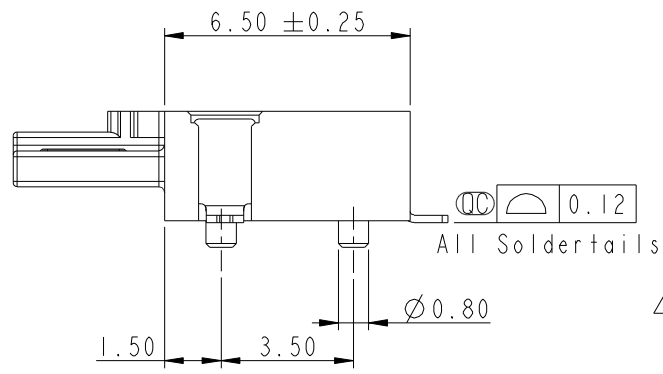
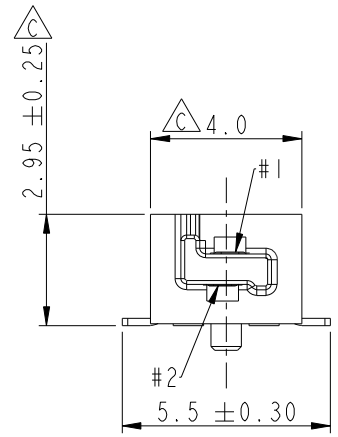
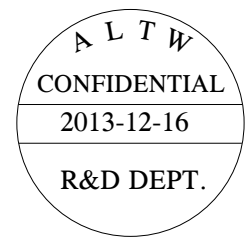


THIS DOCUMENT IS SUBJECT TO CHANGE WITHOUT NOTICE. IT IS CONFIDENTIAL AND A PROPERTY OF Amphenol LTW. DISCLOSURE TO THIRD PARTY HAS TO BE AUTHORIZED BY Amphenol LTW.

REV.	ECN NO.	DATE	SIGN	DESCRIPTION
A		2012-12-06	Fisher	Initial Release
B	LEN1310198	2013-02-20	Fisher	Change Plating and PCB Layout
C	LE313C0098	2013-12-16	Fisher	Change Plating and Package



RECOMMENDED P.C.B. LAYOUT  
GENERAL TOLERANCE IS  $\pm 0.05$



- Notes:
- \*  $\text{⊘}$  Important Dimension To Check.
  - \* Housing: High temperature thermoplastic. UL94V-0, color is Natural white.
  - \* Terminal: Copper Alloy, Gold Plated on contact area. Tin plated on solder tails.
  - \* Solder Peg: Copper Alloy, Tin plated over Nickel.

UNIT: mm		
TOLERANCE	.X	$\pm 0.25$
	.XX	$\pm 0.1$
	.XXX	$\pm 0.05$
	ANGLES	$\pm 1^\circ$

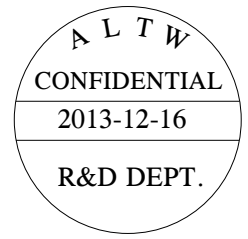
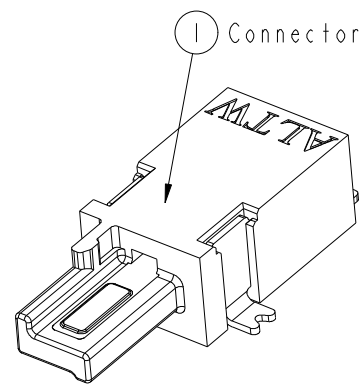
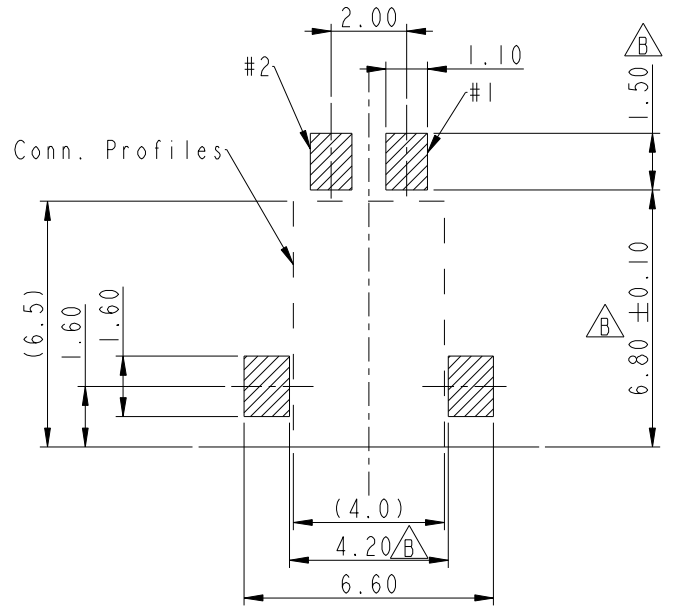
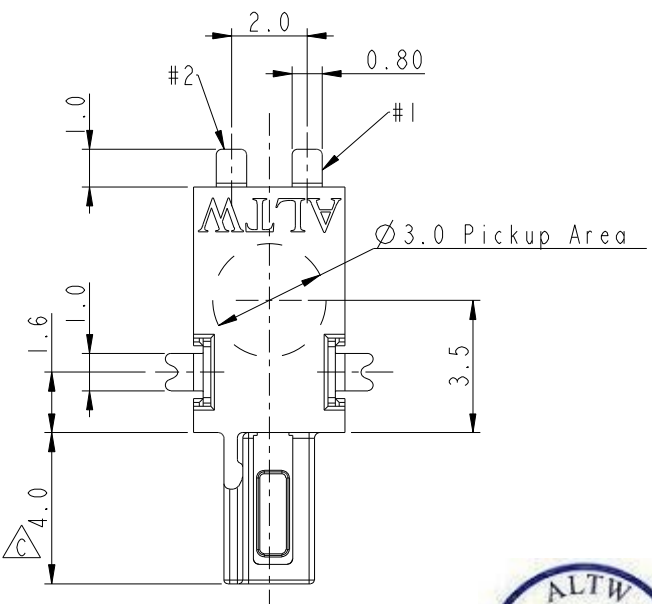
TITLE SSL-1.1 DC PLUG CONNECTOR 2-POS. WITH POST, SMT TYPE			
SCALE	SIZE	SHEET	OF
5:1	A4	1	2
REV.	WC-REV.	$\text{⊘}$ : Inspection item	
C	C.3		

**Amphenol LTW**  
安費諾亮泰企業股份有限公司

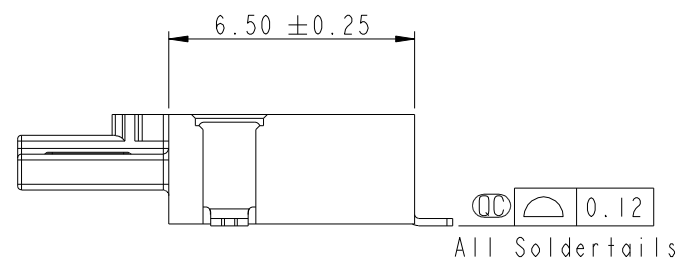
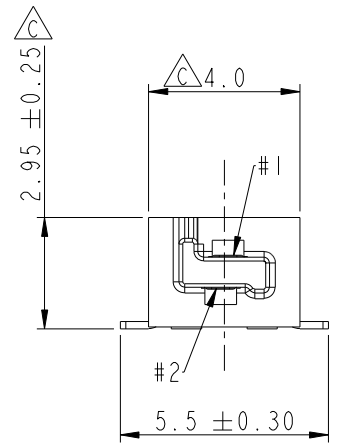
ITEM NO	SSLI1-P2C00-000001	DRAWN BY	Fisher_Wang	DATE	2013-12-16
DWG NO	SSLI1-P2C00-000001	CHECKED BY	Ivan_Lin	DATE	2013-12-16
CUSTOMER	ALTW	APPROVED BY	Kevin_Hu	DATE	2013-12-16

THIS DOCUMENT IS SUBJECT TO CHANGE WITHOUT NOTICE. IT IS CONFIDENTIAL AND A PROPERTY OF Amphenol LTW. DISCLOSURE TO THIRD PARTY HAS TO BE AUTHORIZED BY Amphenol LTW.

REV.	ECN NO.	DATE	SIGN	DESCRIPTION
A	Initial Release	2012-12-06	Fisher	Initial Release
B	LEN1310199	2013-02-20	Fisher	Change Plating and PCB Layout
C	LE313C0099	2013-12-16	Fisher	Change Plating and Dimensions



RECOMMENDED P.C.B. LAYOUT  
GENERAL TOLERANCE IS ±0.05



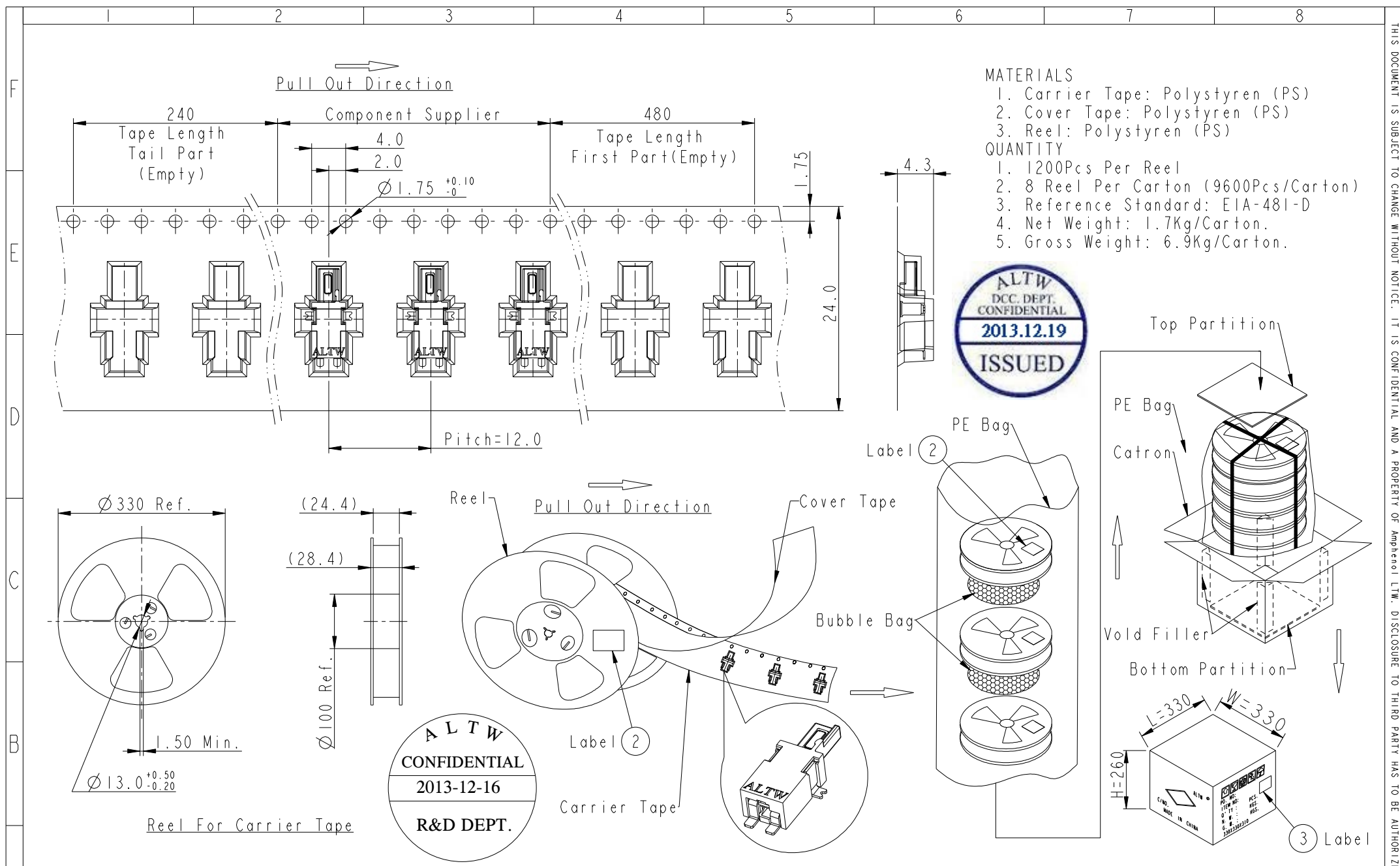
- Notes:
- \* Important Dimension To Check.
  - \* Housing: High temperature thermoplastic. UL94V-0, color is Natural white.
  - \* Terminal: Copper Alloy, Gold Plated on contact area. Tin plated on solder tails.
  - \* Solder Peg: Copper Alloy, Tin plated over Nickel.

UNIT: mm	
TOLERANCE	
.X	±0.25
.XX	±0.1
.XXX	±0.05
ANGLES	±1°

TITLE SSL-1.1 DCPLUG CONNECTOR 2-POS. W/O POST, SMT TYPE			
SCALE	SIZE	SHEET	OF
5:1	A4	1	2
REV.	WC-REV.	Inspection item	
C	C.2		

**Amphenol LTW**  
安費諾亮泰企業股份有限公司

ITEM NO	DRAWN BY	DATE
SSL11-P2D00-000001	Fisher_Wang	2013-12-16
DWG NO	CHECKED BY	DATE
SSL11-P2D00-000001	Ivan_Lin	2013-12-16
CUSTOMER	APPROVED BY	DATE
ALTW	Kevin_Hu	2013-12-16



- MATERIALS**
- Carrier Tape: Polystyren (PS)
  - Cover Tape: Polystyren (PS)
  - Reel: Polystyren (PS)
- QUANTITY**
- 1200Pcs Per Reel
  - 8 Reel Per Carton (9600Pcs/Carton)
  - Reference Standard: EIA-481-D
  - Net Weight: 1.7Kg/Carton.
  - Gross Weight: 6.9Kg/Carton.

**ALTW**  
 CONFIDENTIAL  
 2013-12-16  
 R&D DEPT.

<b>UNIT:mm</b>		
TOLERANCE	.X ±0.25	
	.XX ±0.1	
	.XXX ±0.05	
ANGLES	±1°	

<b>TITLE</b> SSL-1.1 DC PLUG CONNECTOR 2-POS. W/O POST, SMT TYPE			
<b>SCALE</b> 5:1	<b>SIZE</b> A4	<b>SHEET</b> 2 OF 2	
<b>REV.</b> C	<b>WC-REV.</b> A.7	☉: Inspection item	

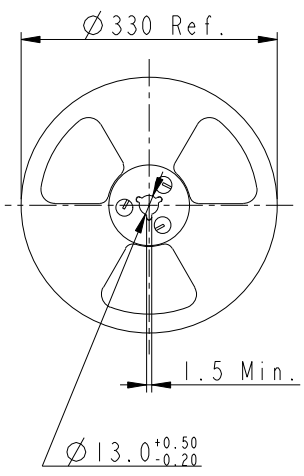
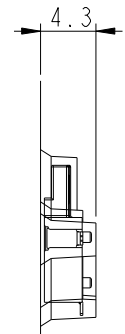
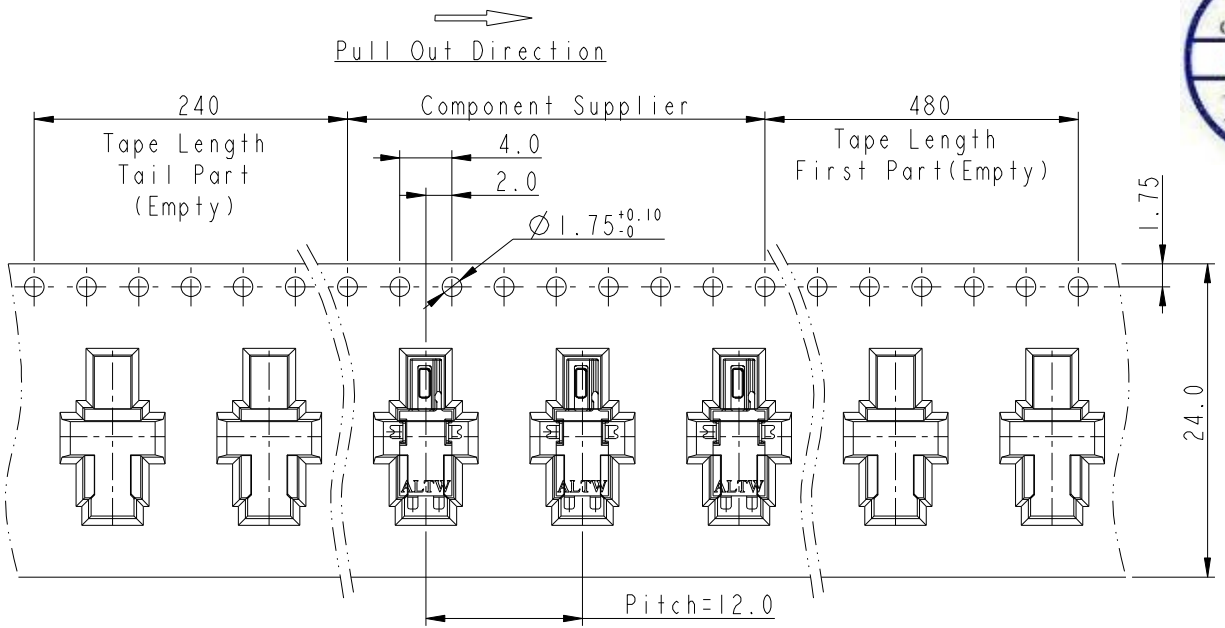
**Amphenol LTW**  
 安費諾亮泰企業股份有限公司

<b>ITEM NO</b> SSL11-P2D00-000001	<b>DRAWN BY</b> Fisher_Wang	<b>DATE</b> 2013-12-16
<b>DWG NO</b> SSL11-P2D00-000001	<b>CHECKED BY</b> Ivan_Lin	<b>DATE</b> 2013-12-16
<b>CUSTOMER</b> ALTW	<b>APPROVED BY</b> Kevin_Hu	<b>DATE</b> 2013-12-16

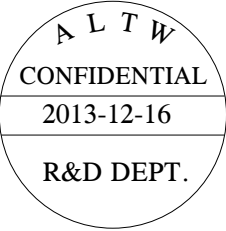
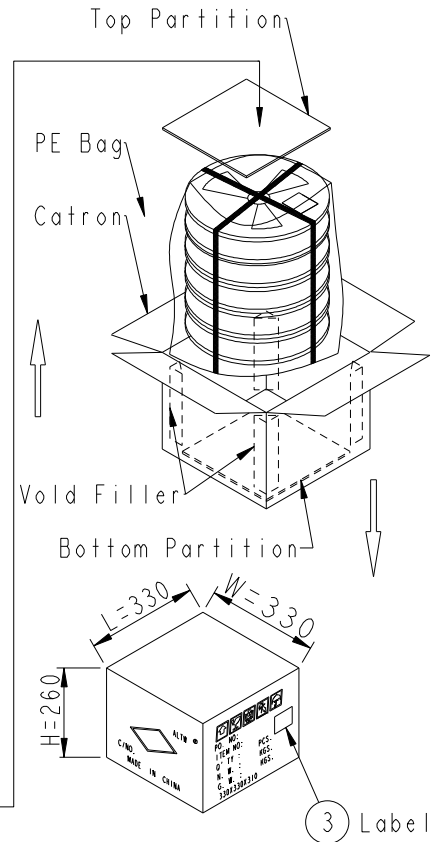
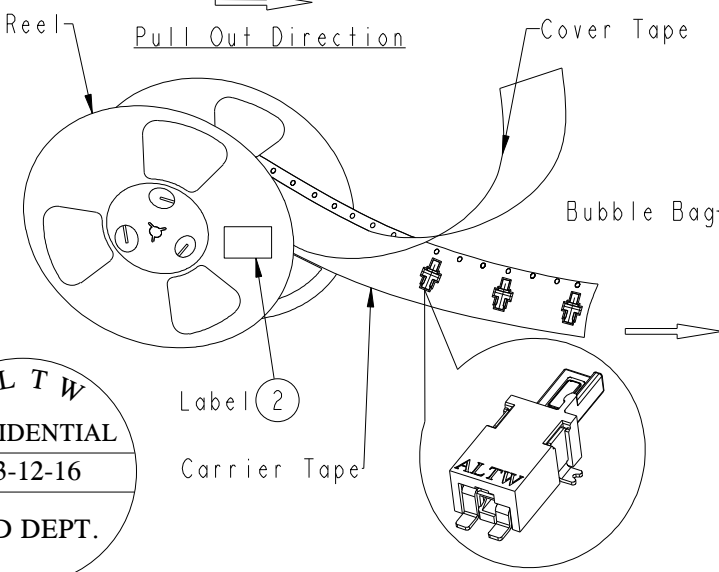
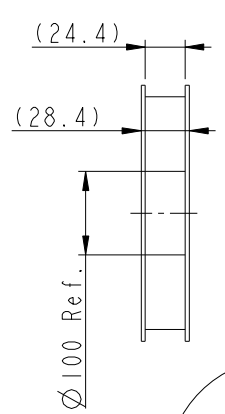
THIS DOCUMENT IS SUBJECT TO CHANGE WITHOUT NOTICE. IT IS CONFIDENTIAL AND A PROPERTY OF Amphenol LTW. DISCLOSURE TO THIRD PARTY HAS TO BE AUTHORIZED BY Amphenol LTW.



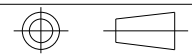
- MATERIALS**
- Carrier Tape: Polystyren (PS)
  - Cover Tape: Polystyren (PS)
  - Reel: Polystyren (PS)
- QUANTITY**
- 1200Pcs Per Reel
  - 8 Reel Per Carton (9600Pcs/Carton)
  - Reference Standard: EIA-481-D
  - Net Weight: 1.7Kg/Carton.
  - Gross Weight: 6.9Kg/Carton.



Reel For Carrier Tape



UNIT:mm



TOLERANCE	
.X	±0.25
.XX	±0.1
.XXX	±0.05
ANGLES	±1°

TITLE SSL-1.1 DC PLUG CONNECTOR 2-POS. WITH POST, SMT TYPE			
SCALE	5:1	SIZE	A4
REV.	C	WC-REV.	A.7
		SHEET	2 OF 2
		☉: Inspection item	

**Amphenol LTW**  
安費諾亮泰企業股份有限公司

ITEM NO	SSL11-P2C00-000001	DRAWN BY	Fisher_Wang	DATE	2013-12-16
DWG NO	SSL11-P2C00-000001	CHECKED BY	Ivan_Lin	DATE	2013-12-16
CUSTOMER	ALTW	APPROVED BY	Kevin_Hu	DATE	2013-12-16