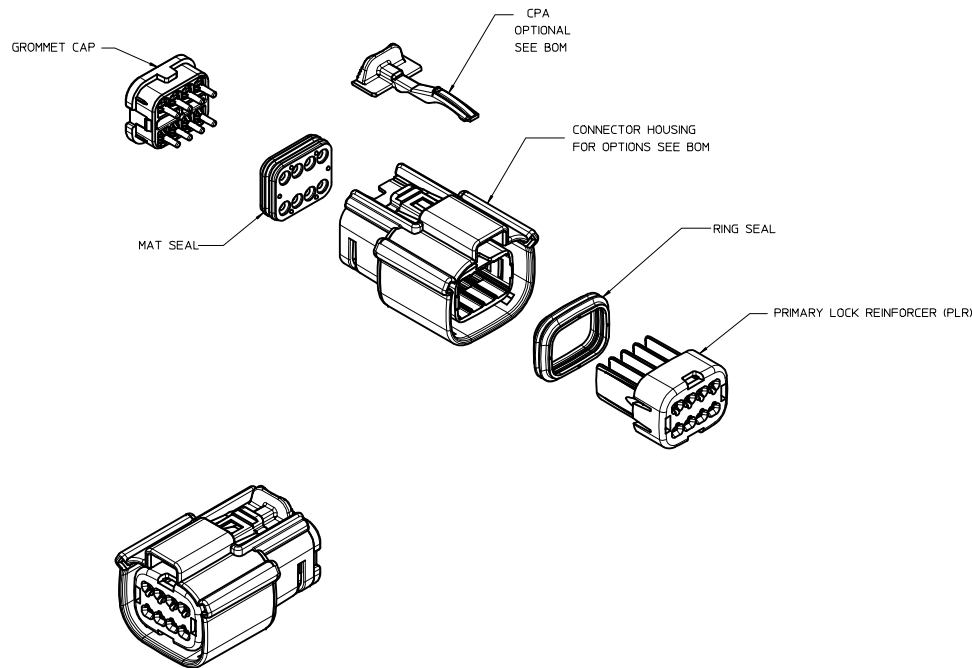


TABLE OF CONTENTS	
SHEET NO.	SHEET DESCRIPTION
1	NOTES
2	KEY CONFIGURATIONS
3	RECEPTACLE SEALED ASSEMBLY
4	WIRE DRESS COVER NOTES
5	WIRE DRESS COVER
6	WIRE DRESS COVER CONFIGURATIONS
7-9	BOM



NOTES: VALID UNLESS OTHERWISE SPECIFIED

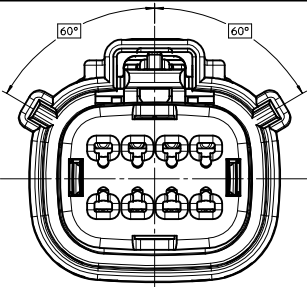
1. GENERAL:
 - a. APPLICATION SPECIFICATION SEE: AS-33472-100
 - CONTAINS: PRODUCT INTRODUCTION, PRODUCT SUMMARY, CONNECTOR ASSEMBLY, PACKAGING INFORMATION, CONNECTOR MATING, SERVICE INSTRUCTIONS, ELECTRICAL CONTINUITY CHECKING, CRIMPING, AND TROUBLESHOOTING.
 - DESIGNED TO MATE WITH DEVICE CONNECTION AS SPECIFIED IN DRAWING EWCAP 150-S-008-2-Z02, AVAILABLE AT <http://ewcap.uscarteams.org/>.
 - DESIGNED TO MATE WITH BLADE SEALED ASSEMBLY AS SPECIFIED IN DRAWING SD-33482-081
 - FOR 15mm RECEPTACLE TERMINALS TO BE USED WITH THIS ASSEMBLY, SEE MOLEX DRAWING SD-33012-002.
 - SYSTEM TO BE USED WITH WIRE WITH DIAMETER RANGE OF 1.2mm TO 2.69mm.
 - ASSEMBLY SHIPPED WITH PLR AND CPA IN PRE-LOCK POSITION (SEE SECTION Z-Z PRE-LOCK).
 - IN THE EVENT THAT THE PLR IS FOUND IN THE SEATED (FINAL LOCK) POSITION, REFER TO MOLEX SPECIFICATION PS-34646-001, AVAILABLE AT www.molex.com <http://www.molex.com>.
 - ASSEMBLY CONFORMS TO SAE/USCAR-2 REV.4 WITH THE FOLLOWING EXCEPTIONS:
 - ENGAGEMENT FORCE TO MOVE CPA FROM PRE-LOCK POSITION WHEN UNMATED: 40N MIN.
 - DISENGAGEMENT FORCE TO MOVE CPA FROM FINAL LOCK TO PRE-LOCK POSITION: 3N MIN, 40N MAX
 - TERMINAL INSERTION FORCE FOR WIRE DIAMETER ABOVE 2.5mm NOT EXCEEDING 2.69mm SHALL NOT EXCEED 40 NEWTONS.
 - PLR REMOVAL FROM FINAL LOCK TO PRE-LOCK POSITION SHALL NOT EXCEED 130 NEWTONS.
 - b. PRODUCT SPECIFICATION SEE: PS-33472-000
 - CONTAINS: PRODUCT INTRODUCTION, PRODUCT SUMMARY, RATINGS (CURRENT, TEMPERATURE, SEALING, AND FLAMMABILITY), AND PRODUCT VALIDATION.
 - c. PACKAGING SPECIFICATION PER MOLEX DRAWING: PK-31300-903
 - d. PARTS MUST BE IN COMPLIANCE TO MOLEX CHEMICAL SUBSTANCES FOR PRODUCTS AND PACKAGING SPECIFICATION: ES-40000-5016
 - e. DATA MUST BE SUBMITTED UNDER THE MOLEX PART NUMBER TO IMDS (COMPANY ID#13255)
 - f. FOR INFORMATION ON 2X4 RECEPTACLE SEALED ASSEMBLY WITH CLIPSLOT SEE SD-33472-091
2. DESIGN - MATERIALS:
 - a. SEE BOM TABLE
3. DESIGN - GEOMETRY:
 - a. THIS IS A 100% CAD GENERATED PART. THE CAD MATHEMATICAL DATA IS THE MASTER FOR THIS PART. FOR DIMENSIONAL OR ANY INFORMATION NOT SHOWN ON THIS DRAWING, ANALYZE THE CAD MODEL.
 - b. GEOMETRIC DIMENSIONS AND TOLERANCES PER ASME Y14.5M - 1994
 - c. EDGES AND UNDIMENSIONED DETAILS PER ISO13715
 - d. CORNERS SHOWN AS SHARP TO BE R 0.2 MAX.
 - e. LETTERING SHALL BE 0.15 MAX RAISED IN 0.25 MAX RECESS PAD. THIS INCLUDES RECYCLING CODE, CAVITY ID, VENDOR IDENTIFICATION, AND CUSTOMER MATERIAL NUMBER.
 - f. VISUAL DEFECTS SHALL MEET COSMETIC STANDARD PS-45499-002 (Class B).
 - g. LASER MARKING: TBD

INSPECTION NUMBERR LOG
 LAST NUMBER USED:
 ADDED:
 REMOVED:

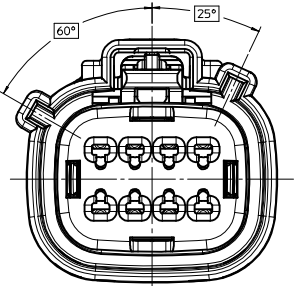
Y4	ADD NEW P/N 33472-0897
	UPDATED 33472-0803 33472-0804 33472-0808 33472-0809
Y3	PRODUCTION STATUS
	ADD NEW P/N 33472-0895 33472-0896
Y2	UPDATED NOMENCLATURE ON SHEET 3
Y1	ADD NEW P/N 33472-0894
Y	REDRAWN, ADDED WIRE DRESS COVER
REV	DESCRIPTION

ENTER DESCRIPTION EC NO: UAU2013-1018 DRAWN BY: 2013/01/04 CHKD: Y4 APPR: WKO5HY 2013/01/16 REV:	QUALITY SYMBOLS	GENERAL TOLERANCES (UNLESS SPECIFIED)	DIMENSION STYLE	SCALE	DESIGN UNITS	THIRD ANGLE PROJECTION
	▽=0	4 PLACES ± ---	mm INCH	MM ONLY	2:1	METRIC
	▽=0	3 PLACES ± ---		DRAWN BY DATE		
	▽=0	2 PLACES ± 0.10		D. MARCOUX 06-13-02		
	1 PLACE ± 0.3		CHECKED BY DATE			
	0 PLACE ±		DGRIFFI THS 06-13-02			
			APPROVED BY DATE			
			FHOLUB 06-13-02			
			MATERIAL NO.			
			SEE BOM			
			ANGULAR ± 3 °			
			DRAFT WHERE APPLICABLE MUST REMAIN WITHIN DIMENSIONS			
			SIZE			
			D THIS DRAWING CONTAINS INFORMATION THAT IS PROPRIETARY TO MOLEX INCORPORATED AND SHOULD NOT BE USED WITHOUT WRITTEN PERMISSION			
			DOCUMENT NO.			
			SD-33472-081			
			SHEET NO.			
			1 OF 9			

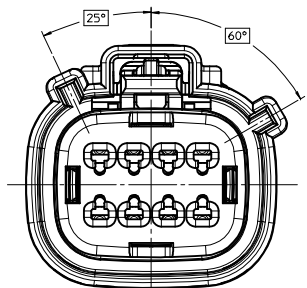
KEY CONFIGURATIONS



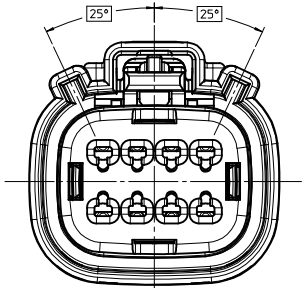
KEY A



KEY B



KEY C



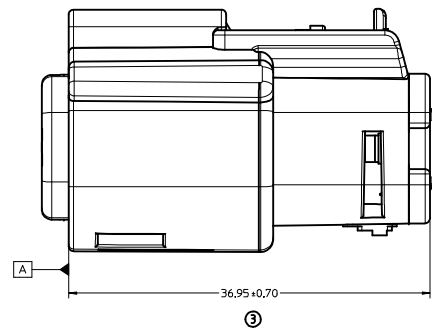
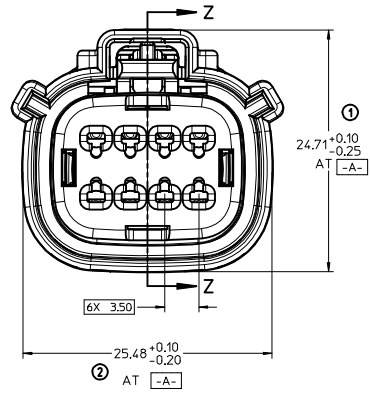
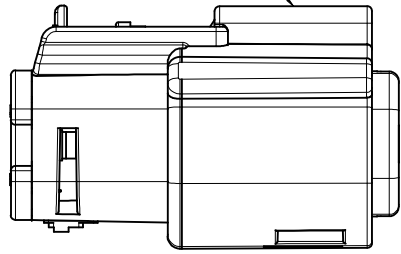
KEY D

ENTER DESCRIPTION REC NO: UAU2013-1018 DRAWN BY CHKD: APPR: WOSHY 2013/01/16 2013/01/16 4 74	QUALITY SYMBOLS ∇=0 ∇=0 ∇=0	GENERAL TOLERANCES (UNLESS SPECIFIED) mm INCH 4 PLACES ± .005 ± .0005 3 PLACES ± .002 ± .0002 2 PLACES ± 0.10 ± .004 1 PLACE ± 0.3 ± .012 0 PLACE ± ±	DIMENSION STYLE MM ONLY	SCALE 4:1	DESIGN UNITS METRIC	THIRD ANGLE PROJECTION
	DRAFT WHERE APPLICABLE MUST REMAIN WITHIN DIMENSIONS	MATERIAL NO. SEE BOM	DRAWN BY D. MARCOUX DATE 06-13-02	CHECKED BY DGRIFITHS DATE 06-13-02	APPROVED BY FHOLUB DATE 06-13-02	TITLE MX150 2X4 RECEPTACLE SEALED ASSEMBLY MAT SEAL molex

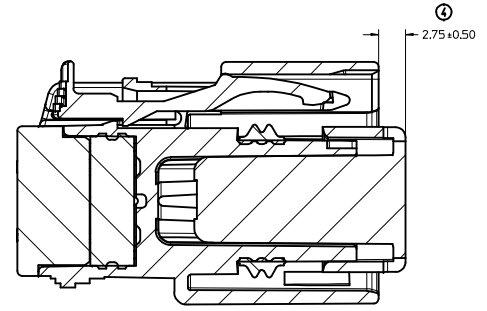
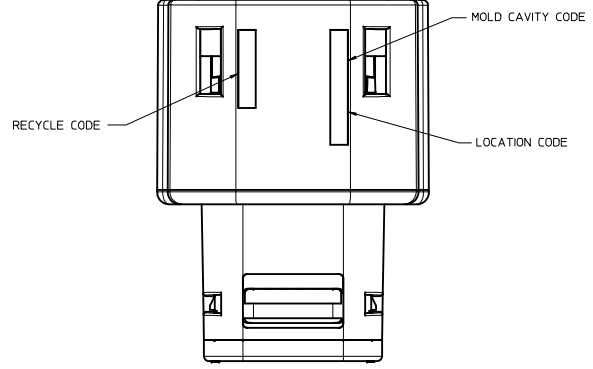
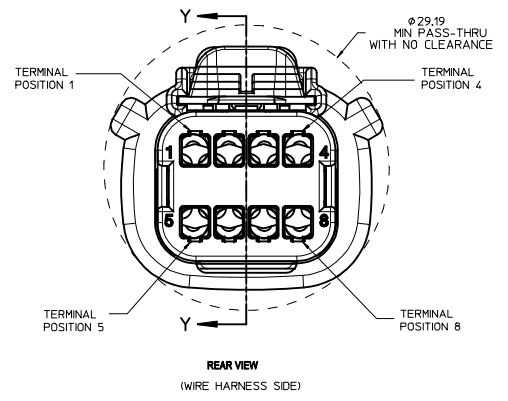
SHEET NO.
2 OF 9

THIS DRAWING CONTAINS INFORMATION THAT IS PROPRIETARY TO MOLEX INCORPORATED AND SHOULD NOT BE USED WITHOUT WRITTEN PERMISSION

LASER MARKING ON THIS SURFACE
SEE NOTE 3g.

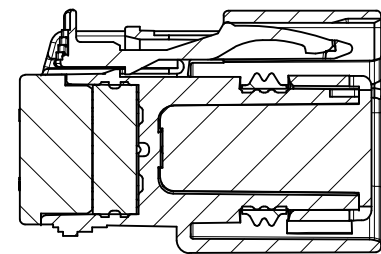


RECEPTACLE SEALED ASSEMBLY



PRIMARY LOCK REINFORCEMENT (PLR) SHOWN
IN PRE-STAGED POSITION

SECTION Z-Z

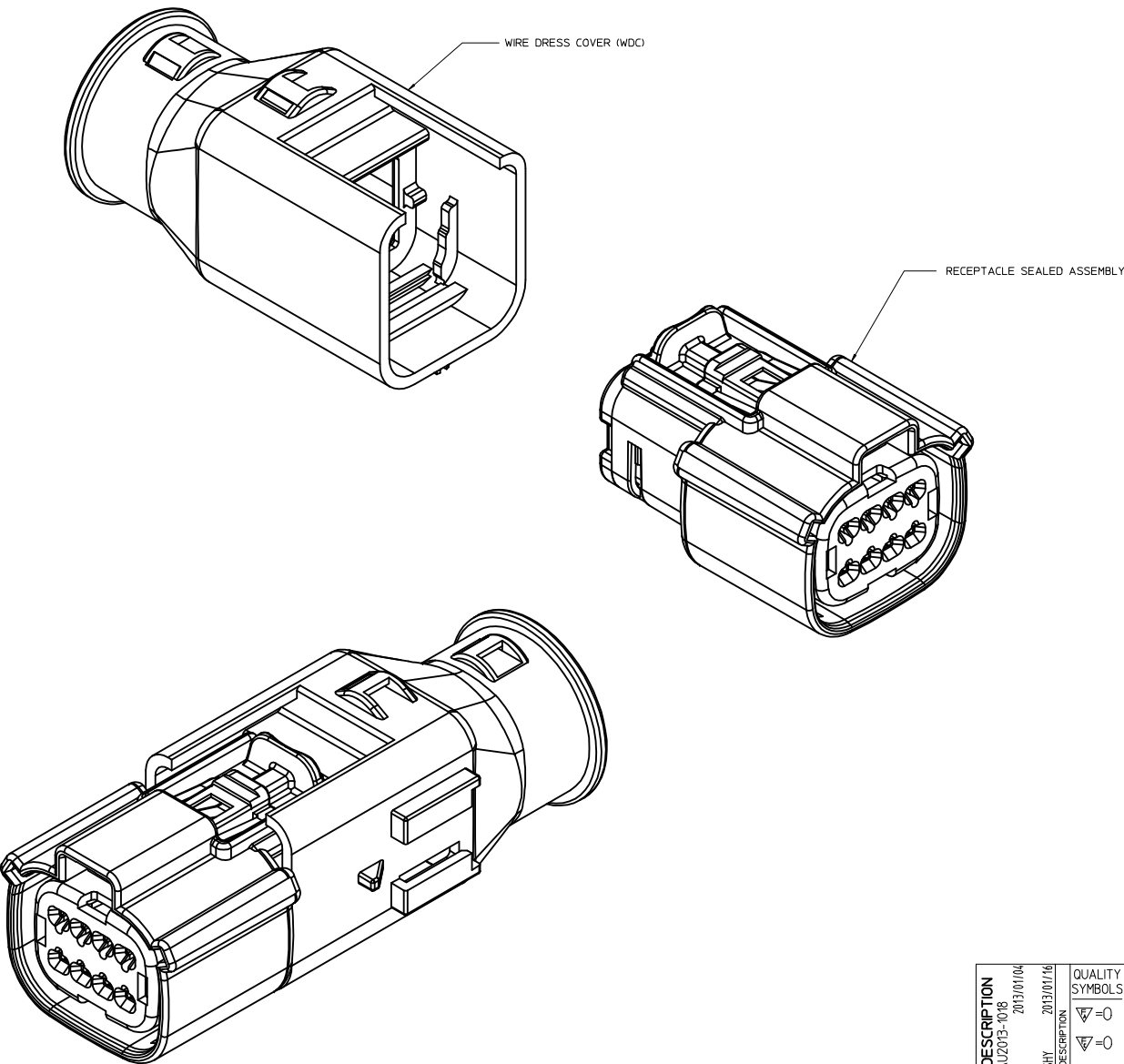


PRIMARY LOCK REINFORCEMENT (PLR) SHOWN
IN FINAL-LOCK POSITION

SECTION Y-Y

ENTER DESCRIPTION ELEC NO: UAU2013-1018 DRAWN BY: CHYD CHYD APPR: IKOSHY 2013/01/16 REV: 4	QUALITY SYMBOLS ∇=0 ∇=0 ∇=0	GENERAL TOLERANCES (UNLESS SPECIFIED) mm INCH 4 PLACES ± --- ± --- 3 PLACES ± --- ± --- 2 PLACES ± 0.10 ± --- 1 PLACE ± 0.3 ± --- 0 PLACE ± ±	DIMENSION STYLE MM ONLY	SCALE 4:1	DESIGN UNITS METRIC	THIRD ANGLE PROJECTION
	DRAWN BY: D. MARCOUX DATE: 06-13-02 CHECKED BY: D. GRIFFITHS DATE: 06-13-02 APPROVED BY: F. HOLUB DATE: 06-13-02	MATERIAL NO. SEE BOM	DOCUMENT NO. SD-33472-081	TITLE MX150 2X4 RECEPTACLE SEALED ASSEMBLY MAT SEAL	SHEET NO. 3 OF 9	
	DRAFT WHERE APPLICABLE MUST REMAIN WITHIN DIMENSIONS					
	THIS DRAWING CONTAINS INFORMATION THAT IS PROPRIETARY TO MOLEX INCORPORATED AND SHOULD NOT BE USED WITHOUT WRITTEN PERMISSION					

WIRE DRESS COVER NOTES



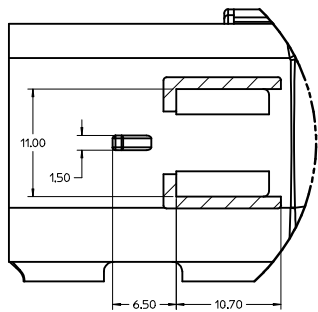
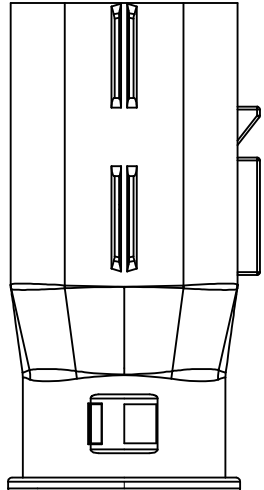
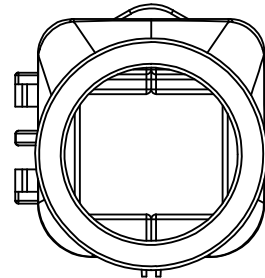
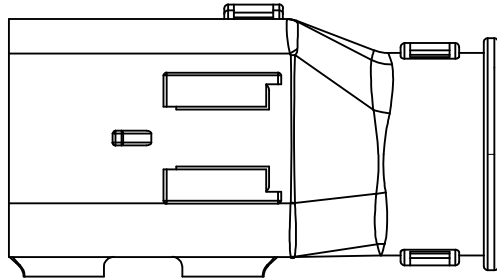
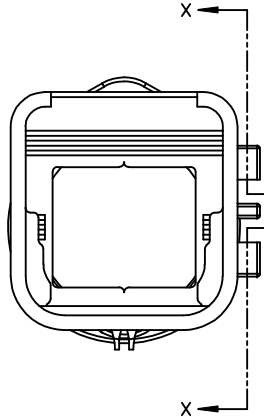
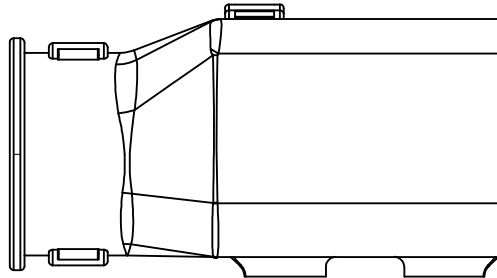
WIRE DRESS COVER NOTES: VALID UNLESS OTHERWISE SPECIFIED

1. GENERAL:
 - a. APPLICATION SPECIFICATION SEE: AS-*****TBD*****
 - DESIGNED TO MATE WITH RECEPTACLE SEALED ASSEMBLY SPECIFIED IN MOLEX DRAWING SD-33472-081.
 - SYSTEM TO BE USED WITH WIRE WITHIN DIAMETER RANGE OF TBDmm TO TBDmm.
 - COMPONENTS ARE OPTIONAL AND MUST BE PURCHASED SEPARATELY
 - WIRE DRESS COVER DESIGN IS OWNED BY SCHLEMMER
 - b. PRODUCT SPECIFICATION SEE: PS-*****TBD*****
 - c. PACKAGING SPECIFICATION PER MOLEX DRAWING: PK-*****TBD*****
 - d. PARTS MUST BE IN COMPLIANCE TO MOLEX CHEMICAL SUBSTANCES FOR PRODUCTS AND PACKAGING SPECIFICATION: ES-40000-5016
 - e. DATA MUST BE SUBMITTED UNDER THE MOLEX PART NUMBER TO IMDS (COMPANY ID=13255)
2. DESIGN - MATERIALS:
 - a. PA66 0% GLASS FILLED
 - b. BLACK
3. DESIGN - GEOMETRY:
 - a. THIS IS A 100% CAD GENERATED PART. THE CAD MATHEMATICAL DATA IS THE MASTER FOR THIS PART. FOR DIMENSIONAL OR ANY INFORMATION NOT SHOWN ON THIS DRAWING, ANALYZE THE CAD MODEL.
 - b. GEOMETRIC DIMENSIONS AND TOLERANCES PER ASME Y14.5M - 2009
 - c. EDGES AND UNDIMENSIONED DETAILS PER ISO13715
 - d. CORNERS SHOWN AS SHARP TO BE R 0.2 MAX.
 - e. VISUAL DEFECTS SHALL MEET COSMETIC STANDARD PS-45499-002 (Class B).

ENTER DESCRIPTION DEC NO: JAU2013-1018 DRAWN BY: Y4 CHKD: APPR: WKSHY 2013/01/04 2013/01/16	QUALITY SYMBOLS	GENERAL TOLERANCES (UNLESS SPECIFIED)	DIMENSION STYLE	SCALE	DESIGN UNITS	THIRD ANGLE PROJECTION
	▽=0	mm INCH	MM ONLY	4:1	METRIC	☉
	▽=0	4 PLACES # --- # ---	DRAWN BY DATE	TITLE		
	▽=0	3 PLACES # --- # ---	D. MARCOUX 06-13-02	MX150 2X4 RECEPTACLE SEALED ASSEMBLY MAT SEAL		
	2 PLACES # 0.10 # ---	CHECKED BY DATE	MATERIAL NO.			DOCUMENT NO.
	1 PLACE # 0.3 # ---	DGRIFFI THS 06-13-02	SEE BOM			SD-33472-081
	0 PLACE # # ---	APPROVED BY DATE	SHEET NO.			
		FHOLUB 06-13-02	4 OF 9			
		ANGULAR ± 3 °	THIS DRAWING CONTAINS INFORMATION THAT IS PROPRIETARY TO MOLEX INCORPORATED AND SHOULD NOT BE USED WITHOUT WRITTEN PERMISSION			
		DRAFT WHERE APPLICABLE MUST REMAIN WITHIN DIMENSIONS				

20 19 18 17 16 15 14 13 12 11 10 9 8 7 6 5 4 3 2 1

WIRE DRESS COVER



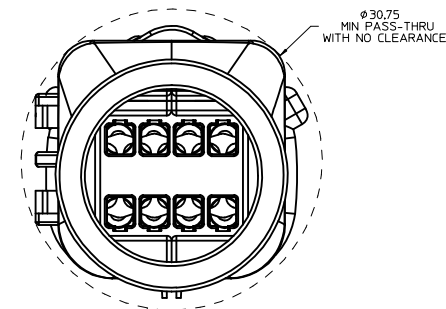
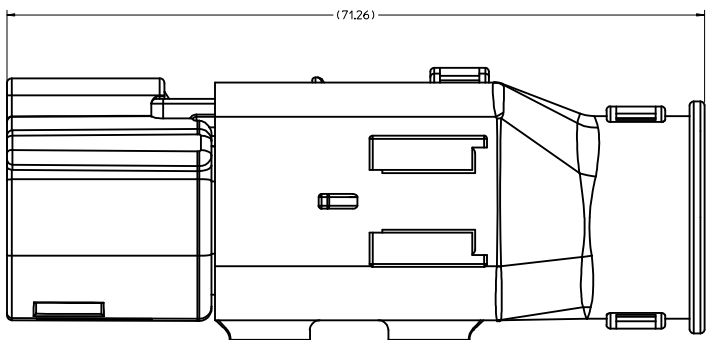
Partial X-X
SCALE 4:1

ENTER DESCRIPTION DEC NO: UAU2013-1018 DRAWN BY: CHYK CHKD: APPR: WKSHY DATE: 2013/01/04 DESCRIPTION:	QUALITY SYMBOLS	GENERAL TOLERANCES (UNLESS SPECIFIED)	DIMENSION STYLE	SCALE	DESIGN UNITS	THIRD ANGLE PROJECTION
	∇=0 ∇=0 ∇=0	mm INCH 4 PLACES ± --- ± --- 3 PLACES ± --- ± --- 2 PLACES ± 0.10 ± --- 1 PLACE ± 0.3 ± --- 0 PLACE ± ±	MM ONLY	4:1	METRIC	DRAWN BY: D. MARCOUX DATE: 06-13-02 CHECKED BY: DGRIFITHS DATE: 06-13-02 APPROVED BY: FHOLUB DATE: 06-13-02
	ANGULAR ± 3 ° DRAFT WHERE APPLICABLE MUST REMAIN WITHIN DIMENSIONS	MATERIAL NO: SEE BOM	TITLE: MX150 2X4 RECEPTACLE SEALED ASSEMBLY MAT SEAL	DOCUMENT NO: SD-33472-081	SHEET NO: 5 OF 9	
	THIS DRAWING CONTAINS INFORMATION THAT IS PROPRIETARY TO MOLEX INCORPORATED AND SHOULD NOT BE USED WITHOUT WRITTEN PERMISSION					

19 18 17 16 15 14 13 12 11 10 9 8 7 6 5 4 3 2 1

20 19 18 17 16 15 14 13 12 11 10 9 8 7 6 5 4 3 2 1

WIRE DRESS COVER CONFIGURATIONS



RECEPTACLE SEALED ASSEMBLY WITH RECEPTACLE WIRE DRESS COVER

ENTER DESCRIPTION EEC NO: UAU2013-1018 DRAWN BY: Y4 CHKD: APPR: WKSHY DATE: 2013/01/04 REV: DESCRIPTION 2013/01/16	QUALITY SYMBOLS ▽=0 ▽=0 ▽=0		GENERAL TOLERANCES (UNLESS SPECIFIED) <table border="1"> <thead> <tr> <th></th> <th>mm</th> <th>INCH</th> </tr> </thead> <tbody> <tr> <td>4 PLACES</td> <td>±0.10</td> <td>±0.004</td> </tr> <tr> <td>3 PLACES</td> <td>±0.15</td> <td>±0.005</td> </tr> <tr> <td>2 PLACES</td> <td>±0.20</td> <td>±0.008</td> </tr> <tr> <td>1 PLACE</td> <td>±0.30</td> <td>±0.012</td> </tr> <tr> <td>0 PLACE</td> <td>±0.50</td> <td>±0.020</td> </tr> </tbody> </table>			mm	INCH	4 PLACES	±0.10	±0.004	3 PLACES	±0.15	±0.005	2 PLACES	±0.20	±0.008	1 PLACE	±0.30	±0.012	0 PLACE	±0.50	±0.020	DIMENSION STYLE MM ONLY		SCALE 4:1	DESIGN UNITS METRIC	THIRD ANGLE PROJECTION
		mm	INCH																								
	4 PLACES	±0.10	±0.004																								
	3 PLACES	±0.15	±0.005																								
2 PLACES	±0.20	±0.008																									
1 PLACE	±0.30	±0.012																									
0 PLACE	±0.50	±0.020																									
DRAFT WHERE APPLICABLE MUST REMAIN WITHIN DIMENSIONS			ANGLAR ± 3 °		DRAWN BY: D. MARCOUX DATE: 06-13-02	TITLE MX150 2X4 RECEPTACLE SEALED ASSEMBLY MAT SEAL																					
MATERIAL NO. SEE BOM					CHECKED BY: D. GRIFFITHS DATE: 06-13-02	DOCUMENT NO. SD-33472-081																					
APPROVED BY: FHOLUB DATE: 06-13-02					SHEET NO. 6 OF 9			THIS DRAWING CONTAINS INFORMATION THAT IS PROPRIETARY TO MOLEX INCORPORATED AND SHOULD NOT BE USED WITHOUT WRITTEN PERMISSION																			

19 18 17 16 15 14 13 12 11 10 9 8 7 6 5 4 3 2 1

ASSEMBLY DESCRIPTION	ASSEMBLY PART NUMBER	A	B	C	D	D	D	A	GCO	GCP	CPA	1	2	3	4	5	6	7	8	STATUS	COMMENTS	34951-0810 WDC WITH RIBS	34951-0820 WDC WITHOUT RIBS
VOID KEY	33472-0840																						
KEY D, W/CPA, GREEN	33472-0839				D					GCP	CPA	1			4	5				NOT RECOMMENDED		OK TO TOOL	OK TO TOOL
KEY C, W/CPA, BROWN	33472-0838				C					GCP	CPA	1			4	5				NOT RECOMMENDED		OK TO TOOL	OK TO TOOL
KEY B, W/CPA, LIGHT GRAY	33472-0837		B							GCP	CPA	1			4	5						OK TO TOOL	OK TO TOOL
KEY A, W/CPA, BLACK	33472-0836		A							GCP	CPA	1			4	5						OK TO TOOL	OK TO TOOL
VOID KEY	33472-0835																						
KEY D, GREEN	33472-0834				D					GCP		1			4	5				NOT RECOMMENDED		OK TO TOOL	OK TO TOOL
KEY C, BROWN	33472-0833				C					GCP		1			4	5				NOT RECOMMENDED		OK TO TOOL	OK TO TOOL
KEY B, LIGHT GRAY	33472-0832		B							GCP		1			4	5						OK TO TOOL	OK TO TOOL
KEY A, BLACK	33472-0831		A							GCP		1			4	5						OK TO TOOL	OK TO TOOL
VOID KEY	33472-0830																						
KEY D, W/CPA, GREEN	33472-0829				D					GCP	CPA				4	5				NOT RECOMMENDED		OK TO TOOL	OK TO TOOL
KEY C, W/CPA, BROWN	33472-0828				C					GCP	CPA				4	5				NOT RECOMMENDED		OK TO TOOL	OK TO TOOL
KEY B, W/CPA, LIGHT GRAY	33472-0827		B							GCP	CPA				4	5						OK TO TOOL	OK TO TOOL
KEY A, W/CPA, BLACK	33472-0826		A							GCP	CPA				4	5						OK TO TOOL	OK TO TOOL
VOID KEY	33472-0825																						
KEY D, GREEN	33472-0824				D					GCP					4	5				NOT RECOMMENDED		OK TO TOOL	OK TO TOOL
KEY C, BROWN	33472-0823				C					GCP					4	5				NOT RECOMMENDED		OK TO TOOL	OK TO TOOL
KEY B, LIGHT GRAY	33472-0822		B							GCP					4	5						OK TO TOOL	OK TO TOOL
KEY A, BLACK	33472-0821		A							GCP					4	5						OK TO TOOL	OK TO TOOL
VOID KEY	33472-0820																						
KEY D, W/CPA, GREEN	33472-0819				D					GCP	CPA				4					NOT RECOMMENDED		OK TO TOOL	OK TO TOOL
KEY C, W/CPA, BROWN	33472-0818				C					GCP	CPA				4					NOT RECOMMENDED		OK TO TOOL	OK TO TOOL
KEY B, W/CPA, LIGHT GRAY	33472-0817		B							GCP	CPA				4							OK TO TOOL	OK TO TOOL
KEY A, W/CPA, BLACK	33472-0816		A							GCP	CPA				4							OK TO TOOL	OK TO TOOL
VOID KEY	33472-0815																						
KEY D, GREEN	33472-0814				D					GCP					4					NOT RECOMMENDED		OK TO TOOL	OK TO TOOL
KEY C, BROWN	33472-0813				C					GCP					4					NOT RECOMMENDED		OK TO TOOL	OK TO TOOL
KEY B, LIGHT GRAY	33472-0812		B							GCP					4							OK TO TOOL	OK TO TOOL
KEY A, BLACK	33472-0811		A							GCP					4							OK TO TOOL	OK TO TOOL
VOID KEY	33472-0810																						
KEY D, W/CPA, GREEN	33472-0809				D					GCO	CPA									NOT RECOMMENDED USE.PLEASE USE 33472-0882		OK TO TOOL	OK TO TOOL
KEY C, W/CPA, BROWN	33472-0808				C					GCO	CPA									NOT RECOMMENDED USE.PLEASE USE 33472-0881		OK TO TOOL	OK TO TOOL
KEY B, W/CPA, LIGHT GRAY	33472-0807		B							GCO	CPA											OK TO TOOL	OK TO TOOL
KEY A, W/CPA, BLACK	33472-0806		A							GCO	CPA											OK TO TOOL	OK TO TOOL
KEY D, BLACK	33472-0805				D					GCO												OK TO TOOL	OK TO TOOL
KEY D, GREEN	33472-0804				D					GCO										NOT RECOMMENDED USE.PLEASE USE 33472-0880		OK TO TOOL	OK TO TOOL
KEY C, BROWN	33472-0803				C					GCO										NOT RECOMMENDED USE.PLEASE USE 33472-0879		OK TO TOOL	OK TO TOOL
KEY B, LIGHT GRAY	33472-0802		B							GCO												OK TO TOOL	OK TO TOOL
KEY A, BLACK	33472-0801		A							GCO												OK TO TOOL	OK TO TOOL

BLOCKED TERMINAL
 CAVITY WITH A NUMBER INDICATES BLOCKED TERMINAL POSITION
 CAVITY WITHOUT A NUMBER INDICATES OPEN TERMINAL POSITION
 STATUS
 COMMENTS
 34951-0810 WDC WITH RIBS
 34951-0820 WDC WITHOUT RIBS
 OPTIONAL ATTACHMENTS SOLD SEPERATLEY

MAT SEAL	LIGHT BLUE	INHERENTLY LUBRICATED SILICONE
RING SEAL	GREEN	INHERENTLY LUBRICATED SILICONE
PLR	NATURAL	SPS/NYLON GF20
CPA	RED	PBT GF20
GROMMET CAP (PLUGGED)	BLACK	SPS/NYLON GF20
GROMMET CAP (OPEN)	BLACK	SPS/NYLON GF20
HOUSING KEYING OPTION A	YELLOW	SPS/NYLON GF20
HOUSING KEYING OPTION D	STONE GRAY	SPS/NYLON GF20
HOUSING KEYING OPTION C	DARK GRAY	SPS/NYLON GF20
HOUSING KEYING OPTION D	BLACK	SPS/NYLON GF20
HOUSING KEYING OPTION D	GREEN	SPS/NYLON GF20
HOUSING KEYING OPTION C	BROWN	SPS/NYLON GF20
HOUSING KEYING OPTION B	LIGHT GRAY	SPS/NYLON GF20
HOUSING KEYING OPTION A	BLACK	SPS/NYLON GF20

DESCRIPTION	COLOR	MATERIAL
-------------	-------	----------

BOM/APPLICABLE COMPONENTS TABLE

ABBREVIATION	COMPONENT
A	HOUSING KEY A
B	HOUSING KEY B
C	HOUSING KEY C
D	HOUSING KEY D
GCO	GROMMET CAP, OPEN
GCP	GROMMET CAP, PLUGGED
PLR	PRIMARY LOCK REINFORCEMENT
CPA	CONNECTOR POSITION ASSURANCE
WDC	WIRE DRESS COVER

ENTER DESCRIPTION ELEC NO: UAU2013-1018 DRAWN BY: CHYD CHKD: APPR: WOSH Y4	QUALITY SYMBOLS ∇=0 ∇=0 ∇=0	GENERAL TOLERANCES (UNLESS SPECIFIED) DIMENSION STYLE MM ONLY SCALE DESIGN UNITS METRIC THIRD ANGLE PROJECTION	DRAWN BY: D. MARCOUX DATE: 06-13-02 CHECKED BY: DGRIFITHS DATE: 06-13-02 APPROVED BY: FHOLUB DATE: 06-13-02	TITLE MX150 2X4 RECEPTACLE SEALED ASSEMBLY MAT SEAL molex MATERIAL NO: SEE BOM DOCUMENT NO: SD-33472-081	SHEET NO. 7 OF 9
	ANGULAR ± 3 ° DRAFT WHERE APPLICABLE MUST REMAIN WITHIN DIMENSIONS		THIS DRAWING CONTAINS INFORMATION THAT IS PROPRIETARY TO MOLEX INCORPORATED AND SHOULD NOT BE USED WITHOUT WRITTEN PERMISSION		

ASSEMBLY DESCRIPTION	PART NUMBER	A	B	C	D	D	D	D	D	A	GCO	GCP	CPA	1	2	3	4	5	6	7	8	STATUS	COMMENTS	34951-0810 WDC WITH RIBS	34951-0820 WDC WITHOUT RIBS			
KEY D, STONE GRAY	33472-0880										D	GCO											OK TO TOOL	OK TO TOOL				
KEY C, DARK GRAY	33472-0879										C	GCO											OK TO TOOL	OK TO TOOL				
KEY A, BLACK	33472-0878	A										GCP				3		5	6				OK TO TOOL	OK TO TOOL				
KEY A, W/CPA, BLACK	33472-0877	A										GCP	CPA										OK TO TOOL	OK TO TOOL				
KEY A, BLACK	33472-0876	A										GCP		1	2	3	4	5	6	7	8		OK TO TOOL	OK TO TOOL				
KEY A, BLACK	33472-0875	A										GCP			2	3							OK TO TOOL	OK TO TOOL				
KEY A, BLACK	33472-0874	A										GCP			2	3					6	7	8	OK TO TOOL	OK TO TOOL			
KEY A, BLACK	33472-0873	A										GCP			2	3							7	8	OK TO TOOL	OK TO TOOL		
KEY A, BLACK	33472-0872	A										GCP													OK TO TOOL	OK TO TOOL		
KEY A, BLACK	33472-0871	A										GCP		1	2	3	4	5	6	7	8		OK TO TOOL	OK TO TOOL				
KEY A, BLACK	33472-0870	A										GCP		1		3							5	6	7	8	OK TO TOOL	OK TO TOOL
KEY A, BLACK	33472-0869	A										GCP														OK TO TOOL	OK TO TOOL	
KEY A, BLACK	33472-0868	A										GCP														OK TO TOOL	OK TO TOOL	
KEY A, BLACK	33472-0867	A										GCP		1		3										OK TO TOOL	OK TO TOOL	
KEY A, BLACK	33472-0866	A										GCP			2	3										OK TO TOOL	OK TO TOOL	
KEY A, BLACK	33472-0865	A										GCP		1												OK TO TOOL	OK TO TOOL	
KEY A, BLACK	33472-0864	A										GCP		1		3										OK TO TOOL	OK TO TOOL	
KEY A, BLACK	33472-0863	A										GCP			2	3										OK TO TOOL	OK TO TOOL	
KEY A, BLACK	33472-0862	A										GCP		1												OK TO TOOL	OK TO TOOL	
KEY A, BLACK	33472-0861	A										GCP														OK TO TOOL	OK TO TOOL	
KEY D, BLACK	33472-0860										D	GCP					4									OK TO TOOL	OK TO TOOL	
KEY A, BLACK	33472-0859	A										GCP		1	2	3										OK TO TOOL	OK TO TOOL	
KEY A, W/CPA, BLACK	33472-0858	A										GCP	CPA	1	2	3										OK TO TOOL	OK TO TOOL	
KEY A, W/CPA, BLACK	33472-0857	A										GCP	CPA	1	2											OK TO TOOL	OK TO TOOL	
KEY A, W/CPA, BLACK	33472-0856	A										GCP	CPA		2											OK TO TOOL	OK TO TOOL	
KEY D, BLACK	33472-0855										D	GCP		1	2	3	4	5	6	7	8					OK TO TOOL	OK TO TOOL	
KEY D, GREEN	33472-0854										D	GCP		1	2	3	4	5	6	7	8	NOT RECOMMENDED			OK TO TOOL	OK TO TOOL		
KEY C, BROWN	33472-0853										C	GCP		1	2	3	4	5	6	7	8	NOT RECOMMENDED			OK TO TOOL	OK TO TOOL		
KEY B, LIGHT GRAY	33472-0852										B	GCP		1	2	3	4	5	6	7	8				OK TO TOOL	OK TO TOOL		
KEY A, BLACK	33472-0851	A										GCP		1	2	3	4	5	6	7	8				OK TO TOOL	OK TO TOOL		
VOID KEY	33472-0850																											
KEY D, W/CPA, GREEN	33472-0849										D	GCP	CPA	1			4	5								NOT RECOMMENDED	OK TO TOOL	OK TO TOOL
KEY C, W/CPA, BROWN	33472-0848										C	GCP	CPA	1			4	5								NOT RECOMMENDED	OK TO TOOL	OK TO TOOL
KEY B, W/CPA, LIGHT GRAY	33472-0847										B	GCP	CPA	1			4	5								OK TO TOOL	OK TO TOOL	
KEY A, W/CPA, BLACK	33472-0846	A										GCP	CPA	1			4	5								OK TO TOOL	OK TO TOOL	
VOID KEY	33472-0845																											
KEY D, GREEN	33472-0844										D	GCP		1			4	5								NOT RECOMMENDED	OK TO TOOL	OK TO TOOL
KEY C, BROWN	33472-0843										C	GCP		1			4	5								NOT RECOMMENDED	OK TO TOOL	OK TO TOOL
KEY B, LIGHT GRAY	33472-0842										B	GCP		1			4	5								OK TO TOOL	OK TO TOOL	
KEY A, BLACK	33472-0841	A										GCP		1			4	5								OK TO TOOL	OK TO TOOL	

DESCRIPTION	COLOR	MATERIAL
MAT SEAL	LIGHT BLUE	INHERENTLY LUBRICATED SILICONE
RING SEAL	GREEN	INHERENTLY LUBRICATED SILICONE
PLR	NATURAL	SPS/NYLON GF20
CPA	RED	PBT GF20
GROMMET CAP (PLUGGED)	BLACK	SPS/NYLON GF20
GROMMET CAP (OPEN)	BLACK	SPS/NYLON GF20
HOUSING KEYING OPTION A	YELLOW	SPS/NYLON GF20
HOUSING KEYING OPTION D	STONE GRAY	SPS/NYLON GF20
HOUSING KEYING OPTION C	DARK GRAY	SPS/NYLON GF20
HOUSING KEYING OPTION D	BLACK	SPS/NYLON GF20
HOUSING KEYING OPTION D	GREEN	SPS/NYLON GF20
HOUSING KEYING OPTION C	BROWN	SPS/NYLON GF20
HOUSING KEYING OPTION B	LIGHT GRAY	SPS/NYLON GF20
HOUSING KEYING OPTION A	BLACK	SPS/NYLON GF20

ABBREVIATION	COMPONENT
A	HOUSING KEY A
B	HOUSING KEY B
C	HOUSING KEY C
D	HOUSING KEY D
GCO	GROMMET CAP, OPEN
GCP	GROMMET CAP, PLUGGED
PLR	PRIMARY LOCK REINFORCEMENT
CPA	CONNECTOR POSITION ASSURANCE
WDC	WIRE DRESS COVER

BOM/APPLICABLE COMPONENTS TABLE

ENTER DESCRIPTION ELEC NO. UAU2013-1018 DRAWN BY: 2013/01/04 CHCKD: APPR: VKSHY 2013/01/16 REV: 4	QUALITY SYMBOLS ∇=0 ∇=0 ∇=0	GENERAL TOLERANCES (UNLESS SPECIFIED) mm INCH 4 PLACES ± --- ± --- 3 PLACES ± --- ± --- 2 PLACES ± 0.10 ± --- 1 PLACE ± 0.3 ± --- 0 PLACE ± ±	DIMENSION STYLE MM ONLY	SCALE DESIGN UNITS METRIC	THIRD ANGLE PROJECTION
	DRAWN BY: D. MARCOUX DATE: 06-13-02 CHECKED BY: D. GRIFFITHS DATE: 06-13-02 APPROVED BY: FHOLUB DATE: 06-13-02	MATERIAL NO. SEE BOM	DOCUMENT NO. SD-33472-081	SHEET NO. 8 OF 9	
	TITLE MX150 2X4 RECEPTACLE SEALED ASSEMBLY MAT SEAL			molex	
	DRAFT WHERE APPLICABLE MUST REMAIN WITHIN DIMENSIONS			THIS DRAWING CONTAINS INFORMATION THAT IS PROPRIETARY TO MOLEX INCORPORATED AND SHOULD NOT BE USED WITHOUT WRITTEN PERMISSION	

ASSEMBLY DESCRIPTION	ASSEMBLY PART NUMBER	A	B	C	D	D	C	D	C	A	D	A	GCO	GCP	CPA	1	2	3	4	5	6	7	8	STATUS	COMMENTS	34951-0810 WDC WITH RIBS	34951-0820 WDC WITHOUT RIBS
KEY B, LIGHT GRAY	33472-0897		B											GCP											OK TO TOOL	OK TO TOOL	
KEY A, BLACK	33472-0896	A												GCP		1	2	3	4						OK TO TOOL	OK TO TOOL	
KEY A, BLACK	33472-0895	A												GCP		1	2								OK TO TOOL	OK TO TOOL	
KEY A, W/CPA, BLACK	33472-0894	A												GCP	CPA	1	2	3				6	7	8	OK TO TOOL	OK TO TOOL	
KEY A, W/CPA, BLACK	33472-0893	A												GCP	CPA								6		OK TO TOOL	OK TO TOOL	
KEY A, YELLOW	33472-0892									A			GCO												OK TO TOOL	OK TO TOOL	
KEY A, W/CPA, YELLOW	33472-0891									A			GCO		CPA										OK TO TOOL	OK TO TOOL	
KEY A, W/CPA, YELLOW	33472-0890									A			GCO	CPA		2	3								OK TO TOOL	OK TO TOOL	
KEY A, BLACK	33472-0889	A												GCP		1							5		OK TO TOOL	OK TO TOOL	
KEY B, LIGHT GRAY	33472-0888		B											GCP		1								6		OK TO TOOL	OK TO TOOL
KEY B, W/CPA, LIGHT GRAY	33472-0887		B											GCP	CPA										OK TO TOOL	OK TO TOOL	
KEY A, BLACK	33472-0886	A												GCP				3						6	8	OK TO TOOL	OK TO TOOL
KEY A, BLACK	33472-0885	A												GCP			2	3	4	5	6			7	8	OK TO TOOL	OK TO TOOL
KEY A, BLACK	33472-0884	A												GCP				3						6	7	OK TO TOOL	OK TO TOOL
KEY A, BLACK	33472-0883	A												GCP			2	3	4	5				7	8	OK TO TOOL	OK TO TOOL
KEY D, W/CPA, STONE GRAY	33472-0882				D					D			GCO	CPA												OK TO TOOL	OK TO TOOL
KEY C, W/CPA, DARK GRAY	33472-0881				D					D			GCO	CPA												OK TO TOOL	OK TO TOOL
ASSEMBLY DESCRIPTION	ASSEMBLY PART NUMBER	A	B	C	D	D	C	D	C	A	D	A	GCO	GCP	CPA	1	2	3	4	5	6	7	8			OK TO TOOL	OK TO TOOL

DESCRIPTION	COLOR	MATERIAL
BLOCKED TERMINAL		
CAVITY WITH A NUMBER INDICATES BLOCKED TERMINAL POSITION		
CAVITY WITHOUT A NUMBER INDICATES OPEN TERMINAL POSITION		
MAT SEAL	LIGHT BLUE	INHERENTLY LUBRICATED SILICONE
RING SEAL	GREEN	INHERENTLY LUBRICATED SILICONE
PLR	NATURAL	SPS/NYLON GF20
CPA	RED	PBT GF20
GROMMET CAP (PLUGGED)	BLACK	SPS/NYLON GF20
GROMMET CAP (OPEN)	BLACK	SPS/NYLON GF20
HOUSING KEYING OPTION A	YELLOW	SPS/NYLON GF20
HOUSING KEYING OPTION D	STONE GRAY	SPS/NYLON GF20
HOUSING KEYING OPTION C	DARK GRAY	SPS/NYLON GF20
HOUSING KEYING OPTION D	BLACK	SPS/NYLON GF20
HOUSING KEYING OPTION D	GREEN	SPS/NYLON GF20
HOUSING KEYING OPTION C	BROWN	SPS/NYLON GF20
HOUSING KEYING OPTION B	LIGHT GRAY	SPS/NYLON GF20
HOUSING KEYING OPTION A	BLACK	SPS/NYLON GF20

ABBREVIATION	COMPONENT
A	HOUSING KEY A
B	HOUSING KEY B
C	HOUSING KEY C
D	HOUSING KEY D
GCO	GROMMET CAP, OPEN
GCP	GROMMET CAP, PLUGGED
PLR	PRIMARY LOCK REINFORCEMENT
CPA	CONNECTOR POSITION ASSURANCE
WDC	WIRE DRESS COVER

ENTER DESCRIPTION ELEC NO: JAU2013-1018 DRAWN BY: CHYK APPR: WJOSHY 2013/01/16	QUALITY SYMBOLS ∇=0 ∇=0 ∇=0	GENERAL TOLERANCES (UNLESS SPECIFIED) mm INCH 4 PLACES ±0.10 ±0.004 3 PLACES ±0.15 ±0.005 2 PLACES ±0.20 ±0.008 1 PLACE ±0.30 ±0.012 0 PLACE ±0.50 ±0.020		DIMENSION STYLE MM ONLY	SCALE 1:1	DESIGN UNITS METRIC	THIRD ANGLE PROJECTION	
		DRAFT WHERE APPLICABLE MUST REMAIN WITHIN DIMENSIONS		MATERIAL NO. SEE BOM	DATE 06-13-02	DATE 06-13-02	DATE 06-13-02	
		ANGLE ± 3°		TITLE MX150 2X4 RECEPTACLE SEALED ASSEMBLY MAT SEAL		DOCUMENT NO. SD-33472-081		SHEET NO. 9 OF 9
		THIS DRAWING CONTAINS INFORMATION THAT IS PROPRIETARY TO MOLEX INCORPORATED AND SHOULD NOT BE USED WITHOUT WRITTEN PERMISSION						