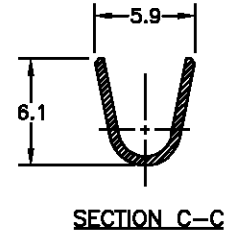
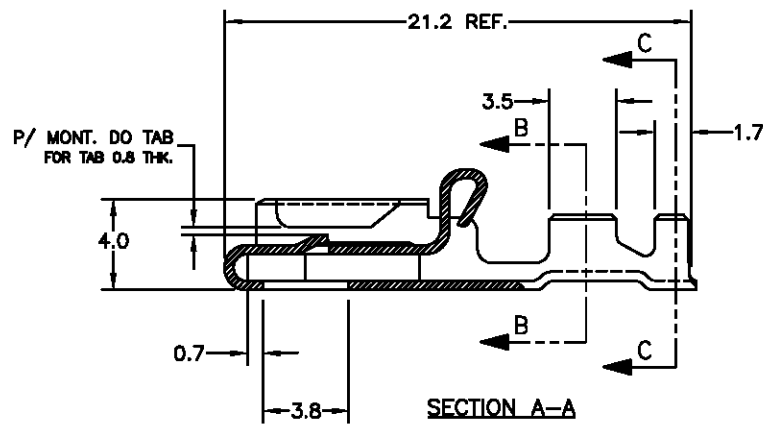
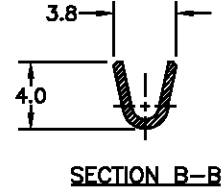
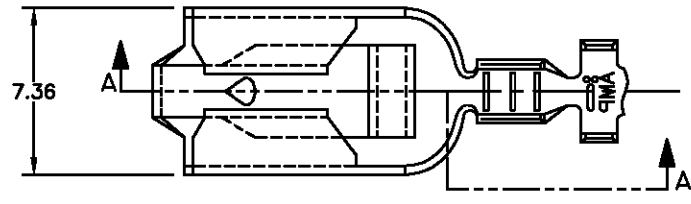


CAD
ALWAYS
 DO NOT REVISE
 EXCEPT BY CAD

LOC AP DIST —

REVISIONS				DATE	DWN	APVD
REV	DESCRIPTION	DATE	DWN	APVD		
B1	REDRAW BY CAD, ECLB0177/00	27JUN00	AP	PLF		



THIS DRAWING IS UNPUBLISHED. COPYRIGHT 19 BY AMP INCORPORATED. ALL RIGHTS RESERVED. 1986.

ESTANHADO/TIN PLATED 6,0µm	LATÃO/BRASS	880645-9
PRÉ-ESTANHADO/PRE TIN PLATED	LATÃO/BRASS	880645-6
ESTANHADO/TIN PLATED	BRONZE FOSF./PHOSP. BRONZE	880645-4
ESTANHADO/TIN PLATED	LATÃO/BRASS	880645-3
--/--	BRONZE FOSF./PHOSP. BRONZE	880645-2
--/--	LATÃO/BRASS	880645-1
WIRE RANGE (mm²)	FINISH	MATERIAL
>1,0 - 2,5		
INSUL. RANGE (# mm)		PART NUMBER
2,7 - 4,0		

DIMENSIONS: DIMENSÕES MM

TOLERANCES UNLESS OTHERWISE SPECIFIED:
 TOLERÂNCIA NCD ESPECIFICADAS

0 PLC/DEC ± -
 1 PLC/DEC ± 0,3
 2 PLC/DEC ± 0,1
 3 PLC/DEC ± -
 4 PLC/DEC ± -
 ANGLES/ANGULARES ± 0°30'

DWN/DES A.PERUSSI 29JUN00
 CHK/CH P.L.FARIA 27JUN00
 APVD/APR J.M.M.NETO 27JUN00
 PRODUCT SPEC —
 APPLICATION SPEC —
 WEIGHT —

MATERIAL SEE TABLE FINISH ACABAMENTO SEE TABLE

AMP AMP do Brasil Ltda.
 São Paulo - Brasil

NAME DESENHO POSITIVE LOCK RECEPTACLE

SIZE A4 CAGE CODE 00779 DRAWING NO DESENHO NO C=880645 RESTRICTED TO —

CUSTOMER DRAWING/DESENHO DE CLIENTE SCALE ESCALA 3:1 SHEET FOLHA 1 OF DE 1 REV B1