

925, 926 & 927 Midget Flanged Incandescent & Neon Lampholders

Overview

The 925, 926 and 927 Series are relampable midget flanged base lampholders for drip proof applications. Use with T-1 3/4 incandescent or T-2 neon midget flanged base lamps. Lampholders are furnished with rubber gaskets and mate with skirted lenses, which have Neoprene O-rings installed.

Approval

UL Recognized and CSA Certified.

Specification

Housing & Knurled Ring Nut: Aluminum. Black anodized finish standard (Ring Nut Part No. 903-075-010). Clear anodized finish optional (Ring Nut Part No. 903-075-011).

Internal Tooth Lockwasher & Hex Nut: Steel. Zinc-plated and clear chromate treated.

Terminals: Brass. Tin-plated with elongated slot (3/64" x 3/32"). Tapered to accept a quick-connect receptacle. Center contact marked +.

Socket: Brass. Nickel-plated.

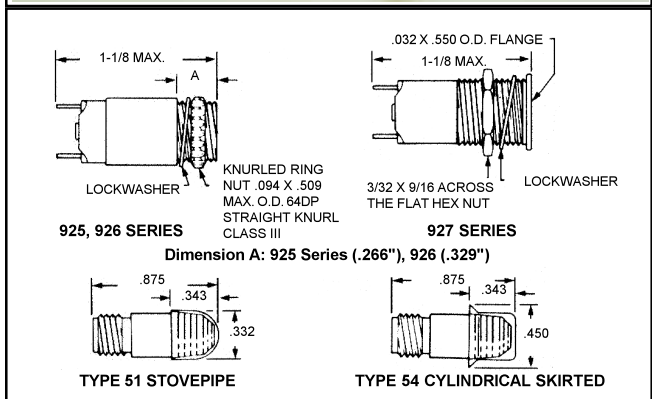
Lens: Heat resistant, high strength polycarbonate.

Lens Barrel: Brass. Nickel-plated.

Gasket: Silicone rubber.

"O" Ring: Neoprene.

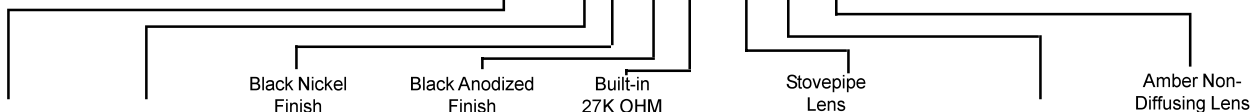
925, 926, 927 Series Max. Rating: 3 Watts, 125 Volts.



ORDERING INFORMATION:

Lampholders and lens caps may be ordered separately or as complete assemblies as shown in the example below:

EXAMPLE: 9 2 5 4 0 1 R 51 0 AN



Series Number	Lampholders				Lens Cap Assembly			
	Termination	Features	Finish	Resistor	Lens Style	Retainer	Lens Color	
925 ¹	4 Solder Lug	0 None (standard)	1 Black Anodized (standard)	X None	FRESNEL (Use with nondiffusing lens colors only)	0 No Retainer	AN Amber	
926 ¹					51 Stovepipe		BN ² Blue	
927					52 Cylindrical Skirted Drip Proof		CN Colorless	
		2 ² Drip Proof	2 Clear (Silver) Anodized	R 27K OHM for C9A (NE-2J) lamp	53 Cylindrical		GN ³ Green	
				D 62K OHM for C7A (NE-2D) lamp	54 Cylindrical Skirted		RN Red	
					SMOOTH (Use with translucent lens colors only)		WN White (Cloudy)	
					56 Stovepipe		YN Yellow	
					57 Cylindrical Skirted Drip Proof		Translucent ³	
					58 Cylindrical		AT Amber	
					59 Cylindrical Skirted		BT Blue	
							GT Green	
							RT Red	
							WT White	
							YT Yellow	

¹ A mounting wrench, #097013, is available for tightening the knurled ring nuts.
² Requires Lens Cap Style 52 or 57.
³ Not recommended for use with neon lamps.
⁴ No resistor required for incandescent lamps.