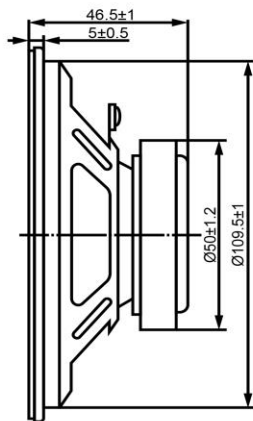
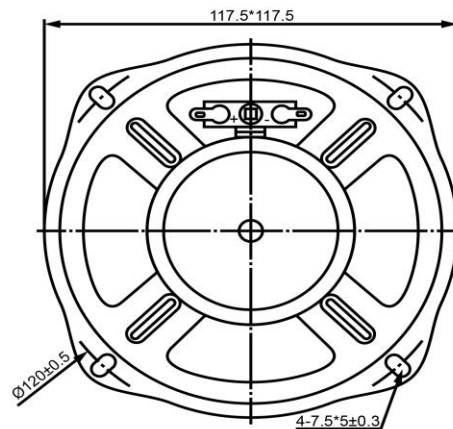




SIDE VIEW



BOTTOM VIEW



Specifications			Notes	Revision History							
Description	Value	Unit		Version	Description	Date	Approved				
Shape	Rectangle		1) All dimensions are in mm unless otherwise noted 2) All parts meet RoHS	1	Released from Engineering	10/21/2013	J.S				
Resonant Frequency	80	(Hz)									
Frequency Range	80 ~ 8,000	(Hz)									
SPL @ 10cm	107	(dBA)									
Impedance	8	(Ohm)									
Cone Material	Paper										
Nominal Power	10	(W)									
Max Power	15	(W)									
Mount Type	Frame										
Operating Temperature	-25 ~ +55	°C									
Storage Temperature	-25 ~ +55	°C									
Weight	1,200	(g)									
						Drawn by	Date	Checked by	Date	Approved by	Date
						A.B.	10/21/2013	C.E.	10/21/2013	J.S	10/21/2013
			Dynamic Speaker			SP1170108-1					