



U74LVC2G32

CMOS IC

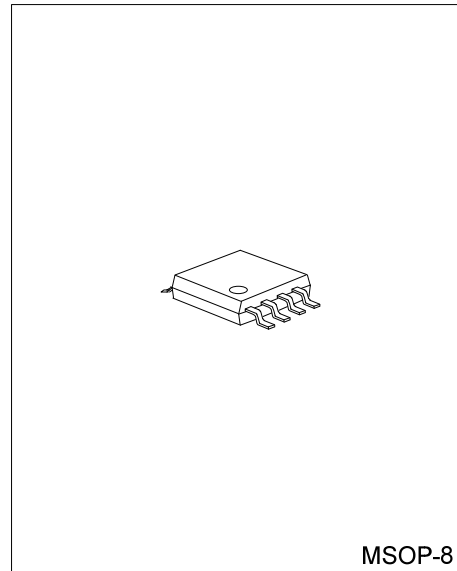
DUAL 2-INPUT POSITIVE-OR GATE

DESCRIPTION

The **U74LVC2G32** is a dual 2-input OR gate which performs the function $Y=A+B$ or $Y=\overline{\overline{A} * \overline{B}}$. It is designed for 1.65V to 5.5V operation.

FEATURES

- * Wide Supply Voltage Range from 1.65V to 5.5V
- * Max t_{PD} of 3.8 ns at 3.3V
- * Up to 5.5V Inputs Accept Voltages
- * Low Power Consumption, $I_{CC} = 10 \mu A$ (Max.)
- * ± 24 mA Output Driver at 3.3V
- * Typical V_{OLP} (Output Ground Bounce) < 0.8V, $V_{CC} = 3.3$ V, $T_A = 25$ °C
- * Typical V_{OHV} (Output V_{OH} Undershoot) > 2V, $V_{CC} = 3.3$ V, $T_A = 25$ °C

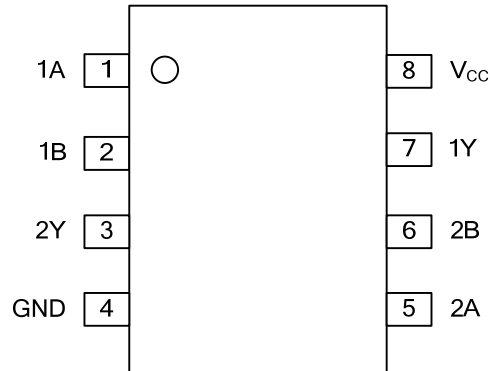


ORDERING INFORMATION

Ordering Number	Package	Packing
U74LVC2G32G-SM1-R	MSOP-8	Tape Reel

<p>U74LVC2G32G-SM1-R</p> <p>(1) Packing Type</p> <p>(2) Package Type</p> <p>(3) Halogen Free</p>	<p>(1) R: Tape Reel</p> <p>(2) SM1: MSOP-8</p> <p>(3) G: Halogen Free</p>
--	---

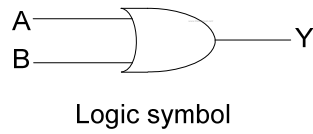
■ PIN CONFIGURATION



■ FUNCTION TABLE (Each Gate)

INPUTS		OUTPUT
A	B	Y
L	L	L
L	H	H
H	L	H
H	H	H

■ LOGIC DIAGRAM (Positive Logic)



■ ABSOLUTE MAXIMUM RATING

PARAMETER	SYMBOL	RATINGS	UNIT
Supply Voltage	V_{CC}	-0.5~6.5	V
Input Voltage	V_{IN}	-0.5~6.5	V
Output Voltage (any output in the high-impedance or power-off state)	V_{OUT}	-0.5~6.5	V
Output Voltage (any output in the high or low state)	V_{OUT}	-0.5~ $V_{CC}+0.5$	V
Input Clamp Current	I_{IK}	-50	mA
Output Clamp Current	I_{OK}	-50	mA
Output Current	I_{OUT}	±50	mA
V_{CC} or GND Current	I_{CC}	±100	mA
Storage Temperature	T_{STG}	-65 ~ +150	°C

Note: 1. The input and output voltage ratings may be exceeded if the input and output current ratings are observed.

2. Absolute maximum ratings are those values beyond which the device could be permanently damaged.

Absolute maximum ratings are stress ratings only and functional device operation is not implied.

■ THERMAL DATA

PARAMETER	SYMBOL	RATINGS	UNIT
Junction to Ambient	θ_{JA}	220	°C /W

■ RECOMMENDED OPERATING CONDITIONS

PARAMETER	SYMBOL	CONDITIONS	MIN	TYP	MAX	UNIT
Supply Voltage	V_{CC}	Operating	1.65		5.5	V
		Data retention only	1.5			
High-Level Input Voltage	V_{IH}	$V_{CC} = 1.65V$ to $1.95V$	$0.65 * V_{CC}$			V
		$V_{CC} = 2.3V$ to $2.7V$	1.7			
		$V_{CC} = 3V$ to $3.6V$	2			
		$V_{CC} = 4.5V$ to $5.5V$	$0.7 * V_{CC}$			
Low-Level Input Voltage	V_{IL}	$V_{CC} = 1.65V$ to $1.95V$			$0.35 * V_{CC}$	V
		$V_{CC} = 2.3V$ to $2.7V$			0.7	
		$V_{CC} = 3V$ to $3.6V$			0.8	
		$V_{CC} = 4.5V$ to $5.5V$			$0.3 * V_{CC}$	
Input Voltage	V_{IN}		0		5.5	V
Output Voltage	V_{OUT}		0		V_{CC}	V
High-level Output Current	I_{OH}	$V_{CC}=1.65V$			-4	mA
		$V_{CC}=2.3V$			-8	
		$V_{CC}=3V$			-16	
		$V_{CC}=4.5V$			-32	
Low-level Output Current	I_{OL}	$V_{CC}=1.65V$			4	mA
		$V_{CC}=2.3V$			8	
		$V_{CC}=3V$			16	
		$V_{CC}=4.5V$			32	
Input Transition Rise or Fall Rate	t_R / t_F	$V_{CC}=1.8\pm0.15V, 2.5\pm0.2V$			20	ns/V
		$V_{CC}=3.3\pm0.3V$			10	
		$V_{CC}=5.0\pm0.5V$			5	
Operating Temperature	T_A		-40		85	°C

■ ELECTRICAL CHARACTERISTICS (T_A =25°C, V_{CC} = 3.3 V , unless otherwise specified)

PARAMETER	SYMBOL	TEST CONDITIONS	MIN	TYP ⁽¹⁾	MAX	UNIT
High-Level Output Voltage	V _{OH}	I _{OH} = -100 μA V _{CC} = 1.65V to 5.5V	V _{CC} -0.1			V
		I _{OH} = -4 mA V _{CC} = 1.65V	1.2			
		I _{OH} = -8 mA V _{CC} = 2.3V	1.9			
		I _{OH} = -16 mA V _{CC} = 3V	2.4			
		I _{OH} = -24 mA V _{CC} = 3V	2.3			
		I _{OH} = -32 mA V _{CC} = 4.5V	3.8			
Low-Level Output Voltage	V _{OL}	I _{OL} = 100 μA V _{CC} = 1.65V to 5.5V			0.1	V
		I _{OL} = 4 mA V _{CC} = 1.65V			0.45	
		I _{OL} = 8 mA V _{CC} = 2.3V			0.3	
		I _{OL} = 16 mA V _{CC} = 3V			0.4	
		I _{OL} = 24 mA V _{CC} = 3V			0.55	
		I _{OL} = 32 mA V _{CC} = 4.5V			0.55	
Input Leakage Current	I _{I(LEAK)}	V _{IN} = 5.5V or GND, V _{CC} = 0 to 5.5V			±5	μA
OFF-state Current	I _{OFF}	V _{IN} or V _O = 5.5V, V _{CC} = 0V			±10	μA
Quiescent Supply Current	I _Q	V _{IN} = 5.5V or GND, I _{OUT} = 0, V _{CC} = 1.65V to 5.5V			10	μA
Additional quiescent Supply Current	Δ I _Q	One input at V _{CC} - 0.6V; other inputs at V _{CC} or GND; V _{CC} =3V to 5.5V			500	μA
Input Capacitance	C _{IN}	V _{IN} = V _{CC} or GND, V _{CC} =3.3V		5		pF

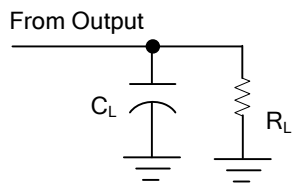
■ SWITCHING CHARACTERISTICS (T_A =25°C)

PARAMETER	SYMBOL	TEST CONDITIONS	MIN	TYP	MAX	UNIT	
Propagation delay from input (A or B) to output (Y)	t _{PLH} / t _{PHL}	V _{CC} =1.8±0.15V, R _L =1KΩ	C _L =30pF	2.4		8	ns
		V _{CC} =2.5±0.2V, R _L =500Ω		1		4.4	
		V _{CC} =3.3±0.3V, R _L =500Ω	C _L =50pF	1		3.8	
		V _{CC} =5±0.5V, R _L =500Ω		1		3.2	

■ OPERATING CHARACTERISTICS (T_A =25°C)

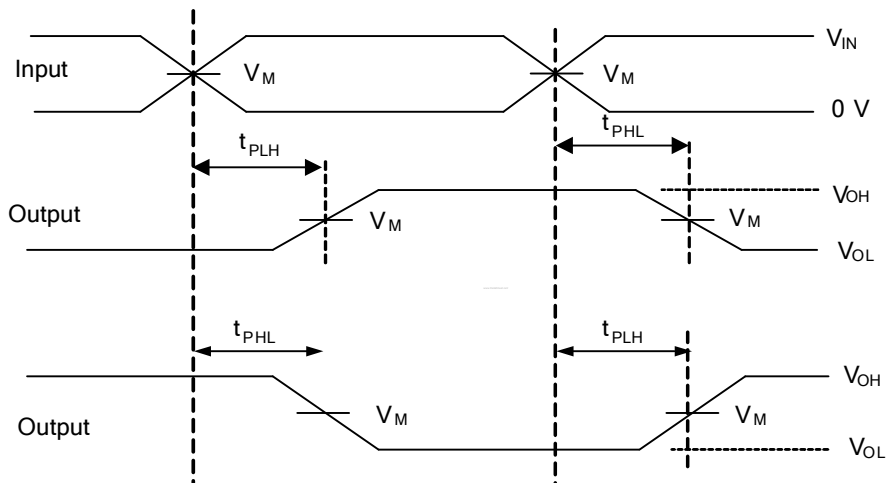
PARAMETER	SYMBOL	TEST CONDITIONS	MIN	TYP	MAX	UNIT
Power Dissipation Capacitance	C _{PD}	V _{CC} = 1.8V	f=10MHz		17	pF
		V _{CC} = 2.5V			17	
		V _{CC} = 3.3V			17	
		V _{CC} = 5V			19	

■ TEST CIRCUIT AND WAVEFORMS



TEST CIRCUIT

V _{CC}	INPUTS		V _M	C _L	R _L
	V _{IN}	t _r , t _f			
1.8V±0.15V	V _{CC}	≤2ns	V _{CC} /2	30pF	1KΩ
2.5V±0.2V	V _{CC}	≤2ns	V _{CC} /2	30pF	500Ω
3.3V±0.3V	3V	≤2.5ns	1.5V	50pF	500Ω
5V±0.5V	V _{CC}	≤2.5ns	V _{CC} /2	50pF	500Ω



PROPAGATION DELAY TIMES

- Notes: 1. C_L includes probe and jig capacitance.
 2. All input pulses are supplied by generators having the following characteristics: PRR ≤10MHz, Z_O = 50Ω.

UTC assumes no responsibility for equipment failures that result from using products at values that exceed, even momentarily, rated values (such as maximum ratings, operating condition ranges, or other parameters) listed in products specifications of any and all UTC products described or contained herein. UTC products are not designed for use in life support appliances, devices or systems where malfunction of these products can be reasonably expected to result in personal injury. Reproduction in whole or in part is prohibited without the prior written consent of the copyright owner. The information presented in this document does not form part of any quotation or contract, is believed to be accurate and reliable and may be changed without notice.