



VL905P75

- IR Pulse Laser Diode
- 905 nm, 75 W
- Single Emitter
- 5mm Epoxy Package
- Life Time > 10.000 h



Description

VL905P75 is a IR 905 nm single emitter pulse laser diode in 5 mm epoxy package with output power of 75 W at 100 ns pulse width and 0.2 % duty cycle. It is ideally suited for range finding applications. Based on a compact epoxy package and capable of exceeding 10000 hours of life time, it provides a very cost effective solution.

Maximum Ratings

Parameter	Symbol	Values		Unit
		Min.	Max.	
Operating Temperature	T_{CASE}	- 40	+60	°C
Storage Temperature	T_{STG}	-55	+85	°C

Laser Characteristics ($T_{CASE} = 25^{\circ}C$)

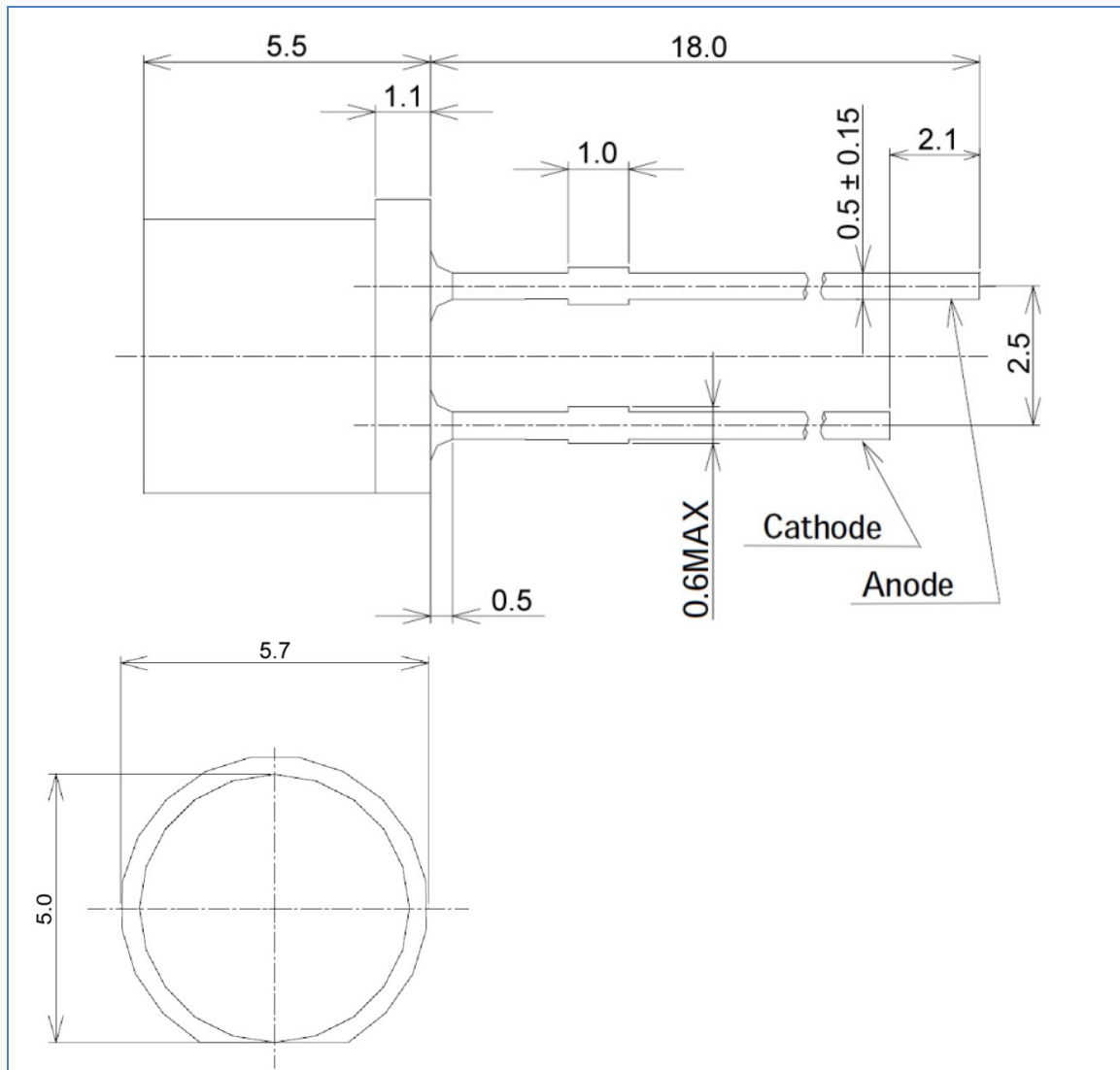
Parameter	Symbol	Min.	Values		Unit
			Typ.	Max.	
Output Power	P_O		75		W
Central Wavelength	λ_c		905		nm
Spectral Width (FWHM)	$\Delta\lambda$		5.5		nm
Beam Divergence (FWHM)	$\theta_{ } \times \theta_{\perp}$			8x25	deg
Puls Width	T_w		100		ns
Duty Cycle	D		0.2		%
Peak Current	I_p		30		A
Wavelength Temp. Coefficient			0.27		nm/°C

Safety Advice

Caution: Depending on the mode of operation, this laser diode does emit highly concentrated infrared light which can be **extremely hazardous to the human eye and skin**. Products which do incorporate this laser diode must comply with safety precautions following IEC 60825-1



Drawing



All dimensions in mm

ESD Caution

Always do handle laser diodes with extreme caution to prevent electrostatic discharge, the primary cause of unexpected diode failure. ESD failures can be prevented by always wearing wrist straps, only using a grounding workplace, and following strict anti-static guidelines when handling the laser diode

