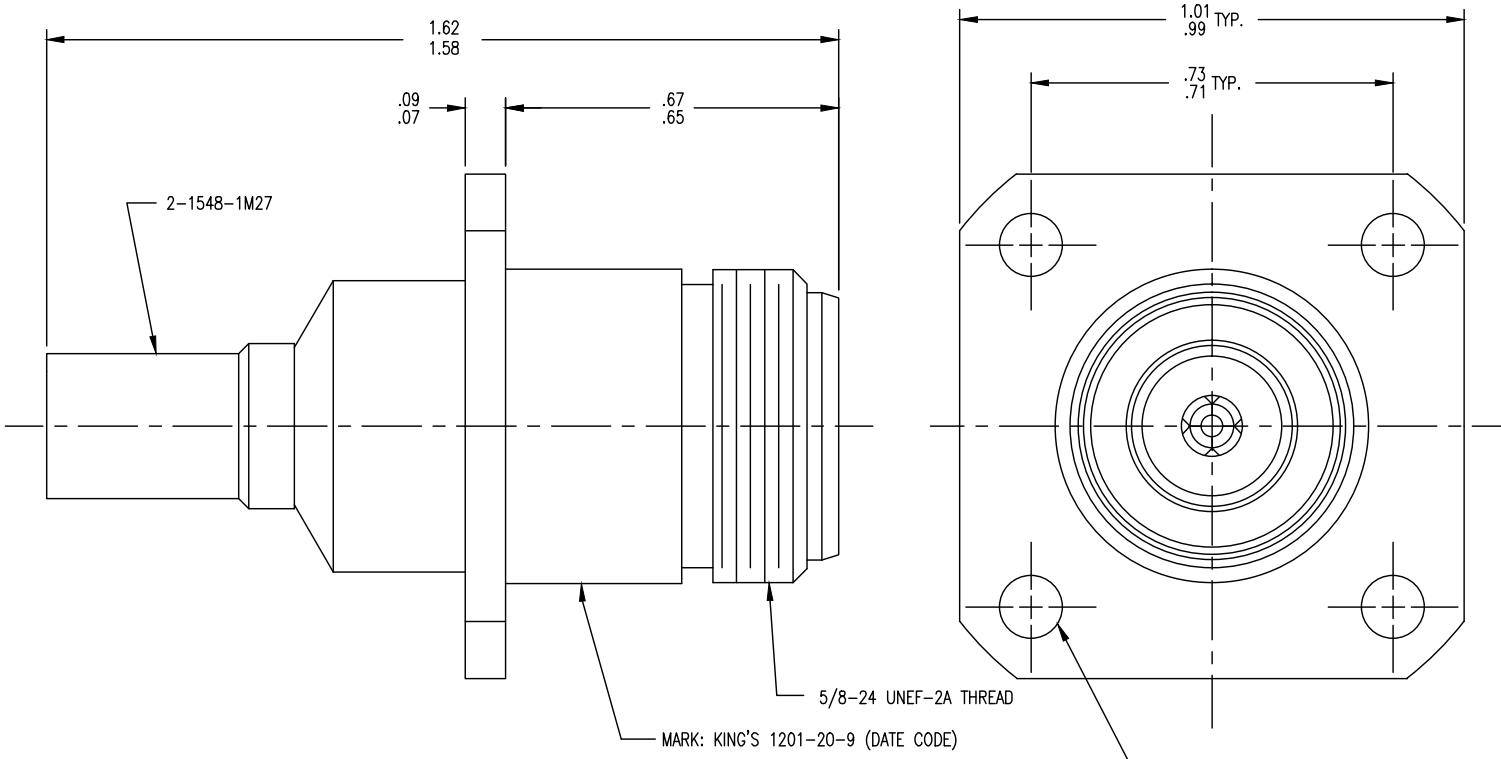


REVISIONS	
ISSUE	CHANGES
0	ER 35957 MJB 11/23/94
B	REVISED PER DMF304 & ER34205 KPL 08/05/11

1201-20-9



CUSTOMER SALES DRAWING

THIS DRAWING, THE DESIGNS AND IDEAS EMBODIED IN THE DEVICE TO WHICH IT RELATES, AND THE METHOD OF PRODUCING THE DEVICE, ARE THE PROPERTY OF WINCHESTER ELECTRONICS CORPORATION AND SHALL NOT BE EMPLOYED, COPIED, OR DISCLOSED TO ANYONE, IN ANY MANNER WITHOUT THE CONSENT OF WINCHESTER ELECTRONICS CORPORATION.

SCALE 4:1

APPROX SURFACE AREA

CAGE CODE: 91836

REF: BOEING

JACK, PANEL, N

DRAWN KH DATE 03/15/94

DESIGN JT DATE 03/16/94

APPR. DATE

WINCHESTER ELECTRONICS Winchester Electronics Corporation
62 Barnes Industrial Road North
Wallingford, Connecticut 06492

1201-20-9

NOTES:

- FOR USE WITH BOEING BMS13-65 OG & ADAMS RUSSELL FC20Z CABLES.
- FOR CABLING INSTRUCTIONS SEE 3-546-2.
- FOR CRIMPING USE DIE KTH-2231.
- INTERFACE PER MIL-STD-348, FIG. 304-2.
- FOR USE WITH .22 MAX PANEL.
- CENTER CONTACT (1-534-98MA9) SUPPLIED UNASSEMBLED.
- MARK PACKAGE: KINGS 1201-20-9 (DATE CODE)
- MATERIALS:
INSULATOR: TEFLON, ASTM-D1710
K-GRIP SLEEVE: COM. BRONZE, ASTM-B135
CENTER CONTACT: BER. COP., ASTM-B196
ALL OTHER PARTS: BRASS, ASTM-B16

9. FINISHES:

- CENTER CONTACT: .000050 MIN GOLD PLATE, PER ASTM-B488 OVER .000050 MIN. NICKEL PER AMS-QQ-N-290 (RoHS)
- ALL OTHER METAL PARTS: .000050 MIN NICKEL PER AMS-QQ-N-290 OVER .000050 MIN COPPER PER ASTM B734 (RoHS)

10. ELECTRICAL CHARACTERISTICS:

- NOMINAL IMPEDANCE: 50 OHMS
- VOLTAGE RATING: 1000 VRMS
- FREQUENCY RANGE: DC TO 11 GHz

11. WEIGHT: 39.1 GRAMS