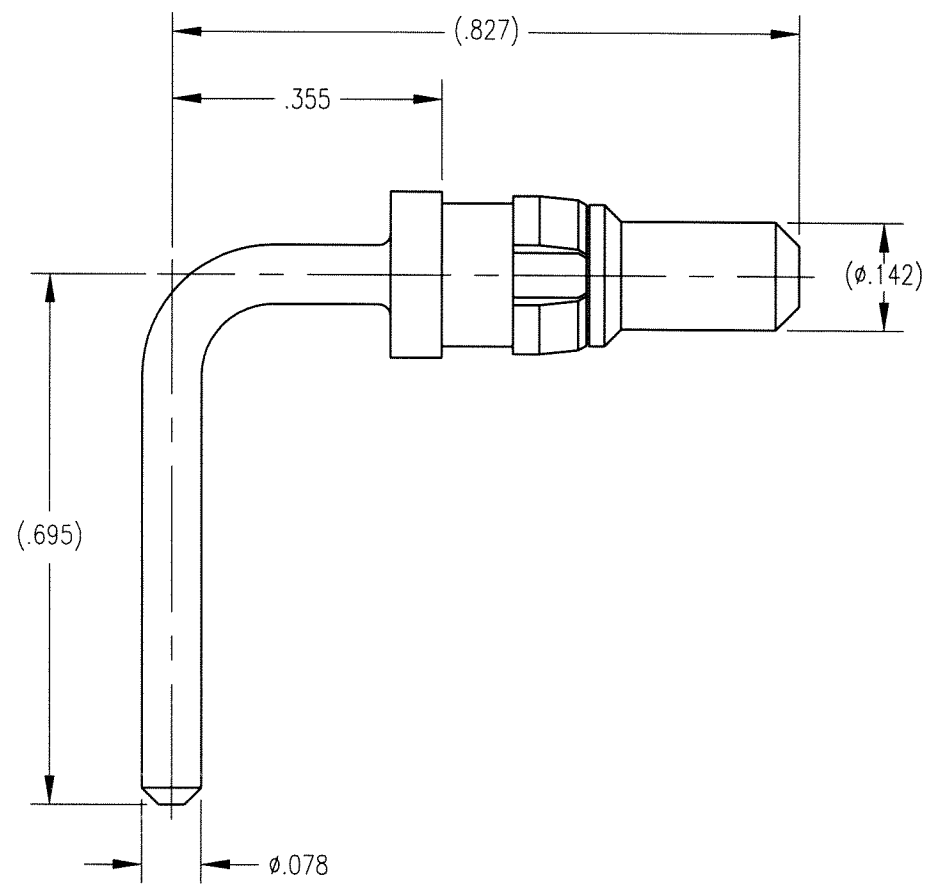


DWC NO. 222-010-0046G			
REV	DESCRIPTION	BY DATE	APPD
B	ECR 6798	5/1/98 10/1/98	<i>[Signature]</i> <i>[Signature]</i>



NOTES:

- MATERIALS:
 BODY: BRASS PER ASTM B16
 CLIP RING: BERYLLIUM COPPER PER ASTM B194
- FINISH:
 BODY: .000030 MIN. GOLD PER MIL-G-45204 OVER
 .000050 MIN. NICKEL PER QQ-N-290
 CLIP RING: .000050 MIN. NICKEL PER QQ-N-290 OVER
 COPPER FLASH PER MIL-C-14550

PER ASME Y14.5M-1994 UNLESS OTHERWISE SPECIFIED: DIMENSIONS ARE IN INCHES (MM)		Litton	
TOLERANCES: DECIMALS .XX ± .01/0.254 XXX ± .005/0.127 ANGLES ± 2'		Winchester/Retconn 400 Park Road Watertown, Connecticut 06795	
CUSTOMER DRAWING		TITLE 20 AMP RIGHT ANGLE POWER PLUG	
DRAWN KJT	DATE 12/21/98	CHECKED JED	DATE 12/21/98
APPROVED JMC	DATE 12/21/98	APPROVED JMC	DATE 12/21/98
A		222-010-0046G	SHT. OF REV. 1 1 B