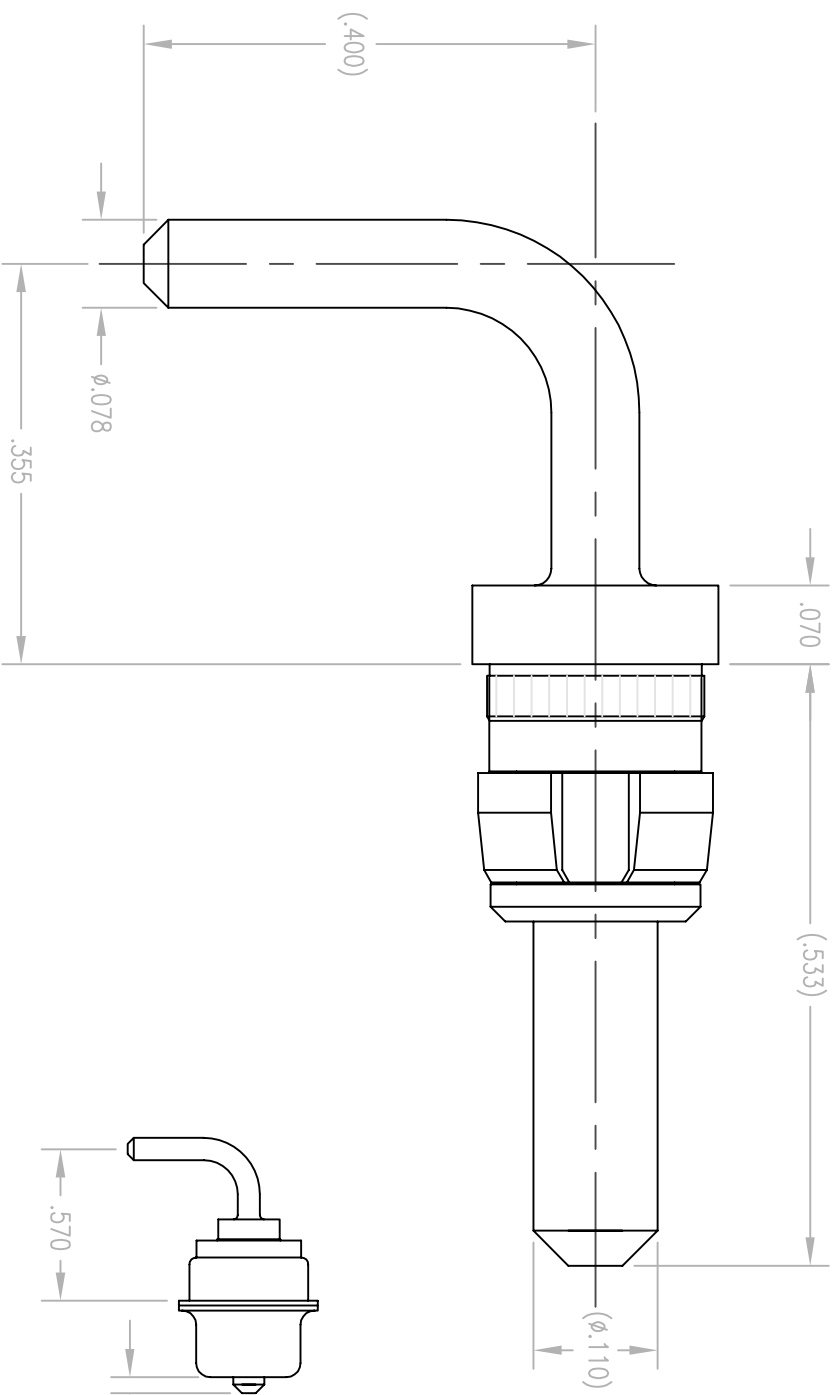


REV.	DESCRIPTION	DATE	BY	APPD.
B	ECR 6798	5/1/01	MJC	



- NOTES:
1. MATERIALS:
 BODY: BRASS PER ASTM B16
 CLIP RING: BERYLLIUM COPPER PER ASTM B194
 2. FINISH:
 BODY: .000030 MIN. GOLD PER MIL-G-45204 OVER
 .000050 MIN. NICKEL PER QQ-N-290
 CLIP RING: .000050 MIN. NICKEL PER QQ-N-290 OVER
 COPPER FLASH PER MIL-C-14550

PER ASME Y14.5M-1994 UNLESS OTHERWISE SPECIFIED: TOLERANCES ARE IN INCHES (MM) DECIMALS .XX ± .005/0.127 ANGLES ± Z° SCALE: 6:1				Liton Winchester/Reticon <small>400 Park Road Waterbury, Connecticut 06706</small>						
CUSTOMER DRAWING				TITLE "SECOND MATE" POWER PLUG						
DRAWN KJT	DATE 07/12/00	CHECKED JH	DATE 7/13/00	APPROVED JMC	DATE 7/13/00	A	222-010-0049C	SFT. 1	OF 1	REV. B