

60mm sq.

San Ace 60

15mm thick, 20mm thick, 25mm thick
25mm thick (San Cooler), 38mm thick (GV type)
 38mm thick (G type)



General Specifications With a pulse sensor

- Material Frame: Plastics (Flammability: UL94V-0),
 Impeller: Plastics (Flammability: UL94V-0)
- Life Expectancy Varies for each model (L10: Survival rate: 90% at 60°C, rated voltage, and continuously run in a free air state)
- Lead Wire ⊕red ⊖black or blue (Sensor) yellow
- Storage Temperature -30°C to +70°C (Non-condensing)

60×60×25mm [Mass : 80g]

San Cooler

Specifications The numbers in () represent ribless models.

Model No.	Rated Voltage [V]	Operating Voltage Range [V]	Rated Current [A]	Rated Input [W]	Rated Speed [min ⁻¹]	Air Flow [m ³ /min] [CFM]		Static Pressure [Pa] [inchH ₂ O]		SPL [dB(A)]	Operating Temperature [°C]	Life Expectancy [h]
9A0612G401(4011)	12	6 to 13.2	0.24	2.88	5,600	0.78	27.6	87.3	0.351	39	-10 to +60	30,000
9A0612S401(4011)			0.17	2.04	4,600	0.65	23.0	56.8	0.228	33		
9A0612H401(4011)		6 to 13.8	0.11	1.32	3,800	0.53	18.7	40.2	0.161	28		
9A0612F401(4011)			0.09	1.08	3,200	0.44	15.5	29.4	0.118	24		
9A0612M401(4011)			7 to 13.8	0.06	0.72	2,600	0.36	12.7	19.6	0.079		
9A0624G401(4011)	24	12 to 27.6	0.13	3.12	5,600	0.78	27.6	87.3	0.351	39	-10 to +60	30,000
9A0624S401(4011)			0.08	1.92	4,600	0.65	23.0	56.8	0.228	33		
9A0624H401(4011)		12 to 27.6	0.06	1.44	3,800	0.53	18.7	40.2	0.161	28		
9A0624F401(4011)			0.05	1.2	3,200	0.44	15.5	29.4	0.118	24		
9A0624M401(4011)			14 to 27.6	0.04	0.96	2,600	0.36	12.7	19.6	0.079		

Without Sensor

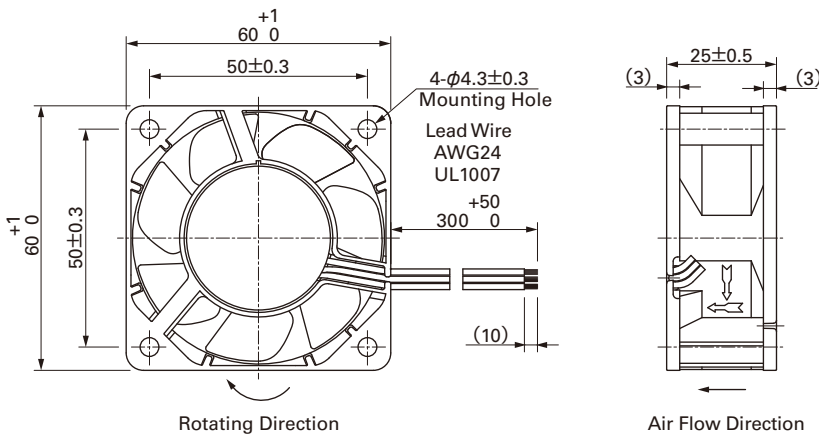
Pulse Sensor

Available in all models.

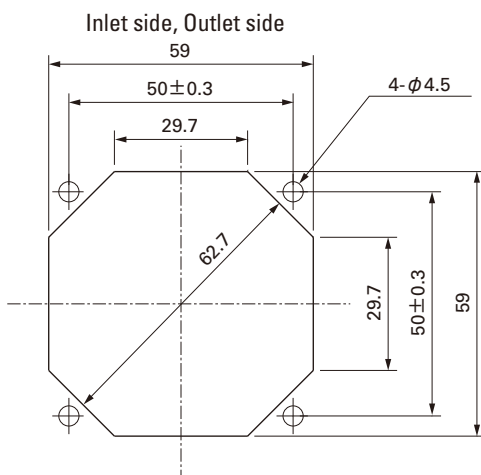
Lock Sensor

Please inquire as the availability of these functions depend on the model.

Dimensions (Unit : mm) (With ribs)



Reference dimension of mounting holes and vent opening (Unit : mm)

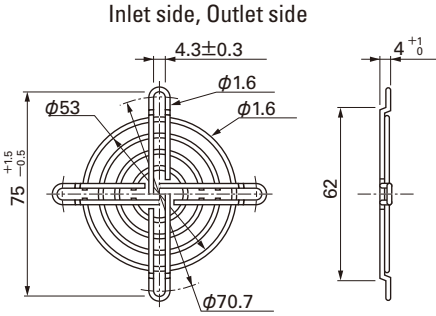


Options (Unit : mm)

Finger guards

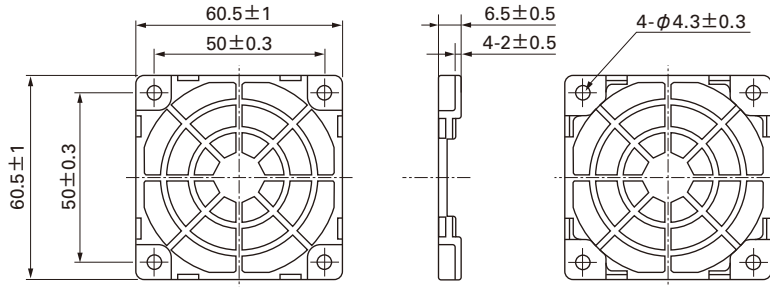
Model : 109-139E Surface treatment : Nickel-chrome plating (silver)
 : 109-139H : Cation electropainting (black)

Color



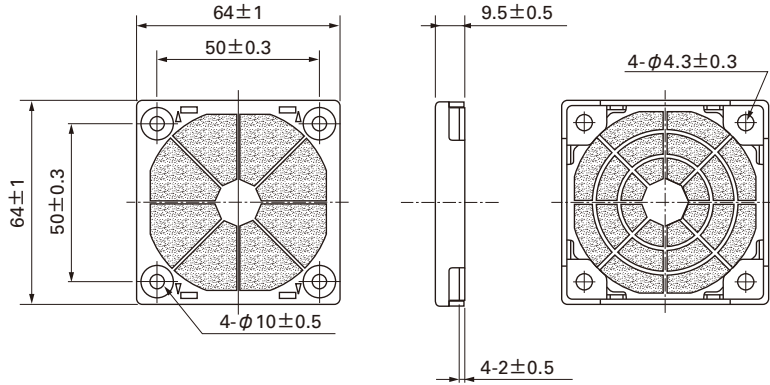
Resin finger guards

Model : 109-1003G

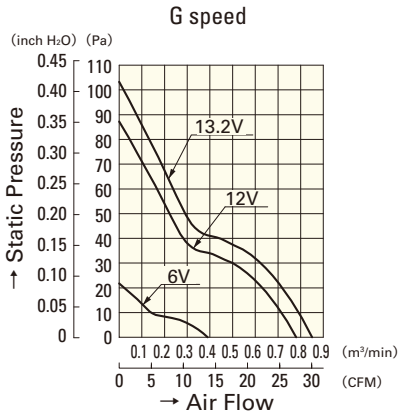


Resin filter kits

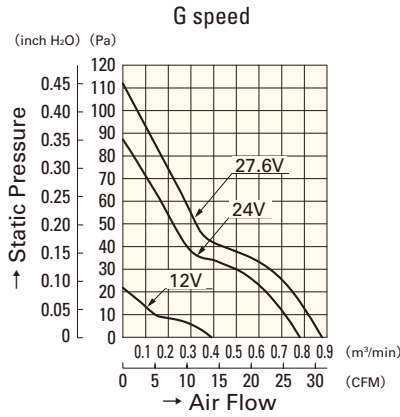
Model : 109-1003F13 (13PPI), 109-1003F20 (20PPI)
 : 109-1003F30 (30PPI), 109-1003F40 (40PPI)



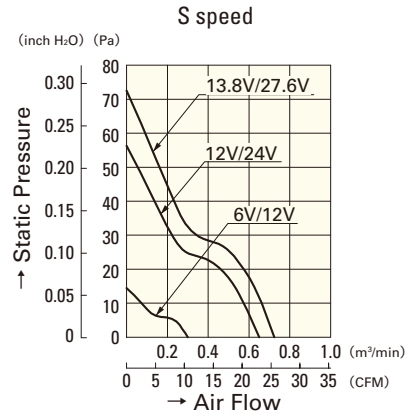
Air Flow and Static Pressure Characteristics



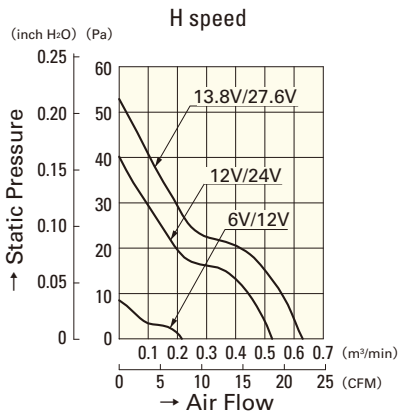
9A0612G401(4011)



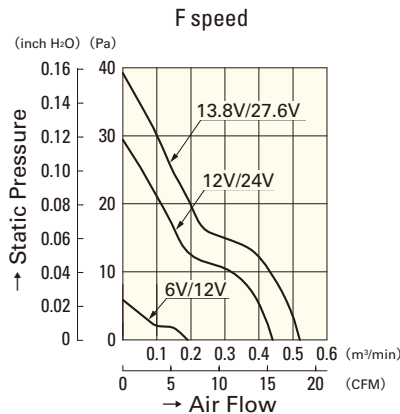
9A0624G401(4011)



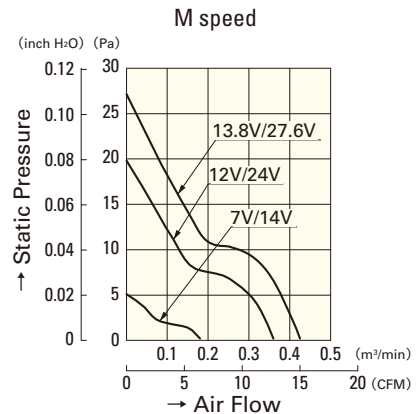
9A0612S401(4011)
9A0624S401(4011)



9A0612H401(4011)
9A0624H401(4011)



9A0612F401(4011)
9A0624F401(4011)



9A0612M401(4011)
9A0624M401(4011)