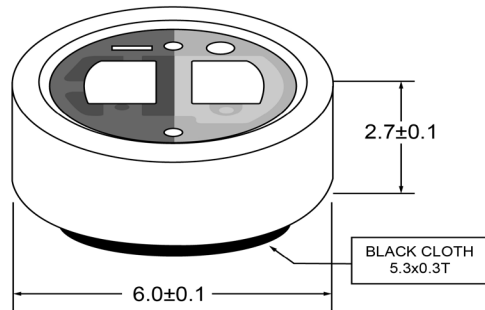
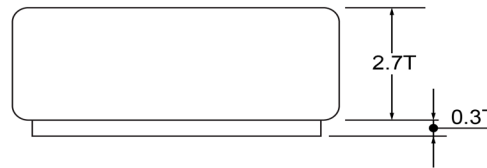


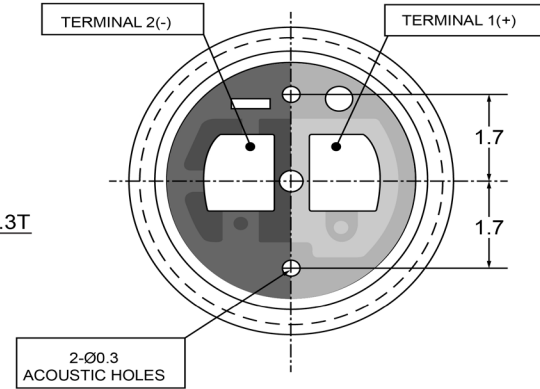
ANGLED VIEW





SIDE VIEW



BOTTOM VIEW



Specifications			Notes	Revision History					
Description	Value	Unit		Version	Description	Date	Approved		
Directivity	Unidirectional		1) All dimensions are in mm unless otherwise noted 2) All parts meet RoHS	1	Released from Engineering	10/21/2013	J.S		
Technology	Electret Condenser								
Sensitivity	-44	(dB)							
Frequency Range	40 ~ 20,000	(Hz)							
Rated Voltage	2	(V)							
Output Impedance	2,200	(Ohm)							
Connection Method	Solder Pads								
Voltage Range	1 ~ 10	(V)							
Max Rated Current	0.45	(mA)							
Minimum Signal to Noise Ratio	>58	(dB)							
Operating Temperature	-40 ~ +85	°C							
Storage Temperature	-40 ~ +85	°C							
						Electret Condenser Microphone		MU064402-1	
						Drawn by: A.B. Date: 10/21/2013 Checked by: C.E. Date: 10/21/2013 Approved by: J.S Date: 10/21/2013			