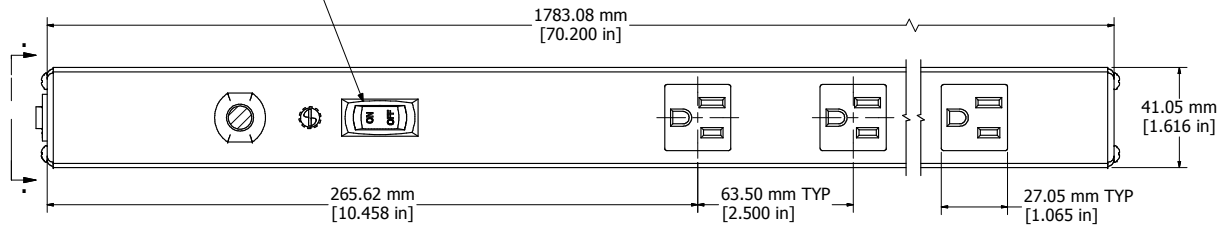
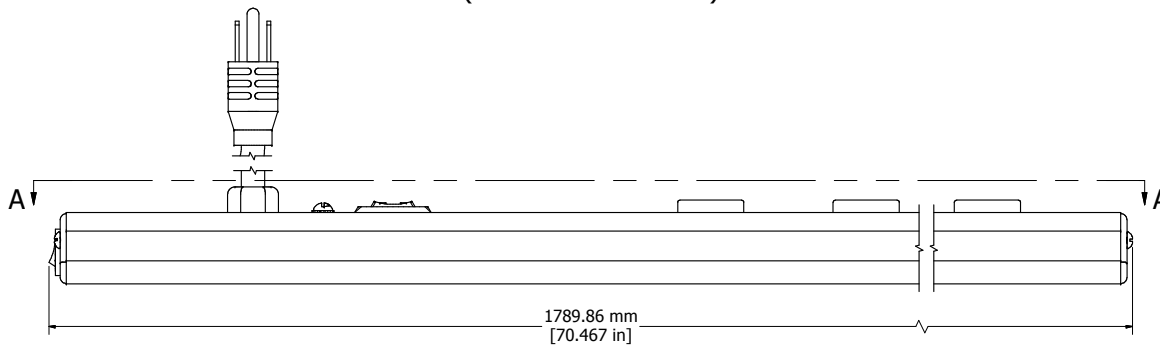


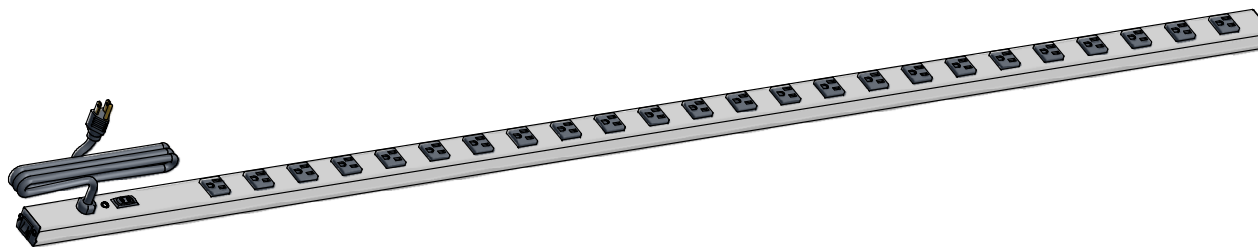
ON/OFF  
POWER SWITCH



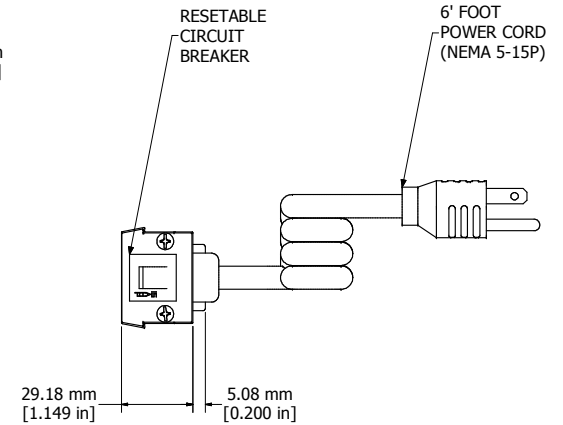
SECTION A-A  
(VIEW FROM FRONT)



ASSEMBLY - VIEW FROM SIDE



ISOMETRIC VIEW



ASSEMBLY - VIEW FROM END

**1587H24A1**

Finish - Case - Anodized Aluminum Extrusion

Ends - ABS Plastic

Rated - 125 VAC, 60 Hz, 15 Amps

Approvals - CSA Certified Standards C22.2 (No. 21-95, 42-99)  
- UL Listed Standard UL1363

**Cord Length & Colour**

1587H24A1 - 6' Foot Power Cord (NEMA 5-15P)

1587H24B1 - 15' Foot Power Cord (NEMA 5-15P)

**Accessories Included**

Mounting Bracket Kit with Hardware



**HAMMOND  
MANUFACTURING™**

**1587H24A1**

www.hammondmfg.com