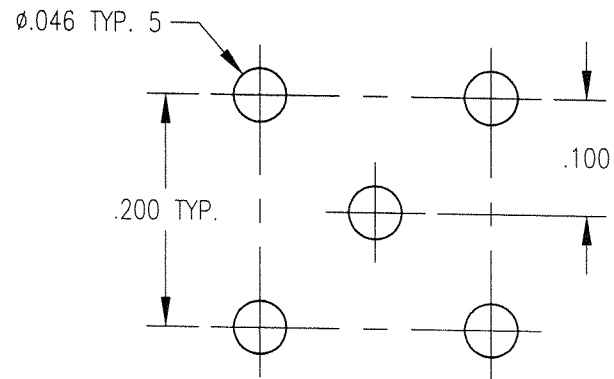
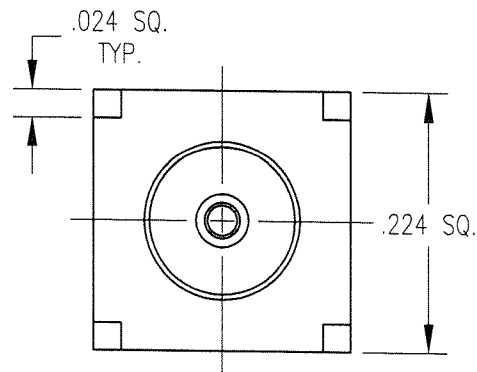
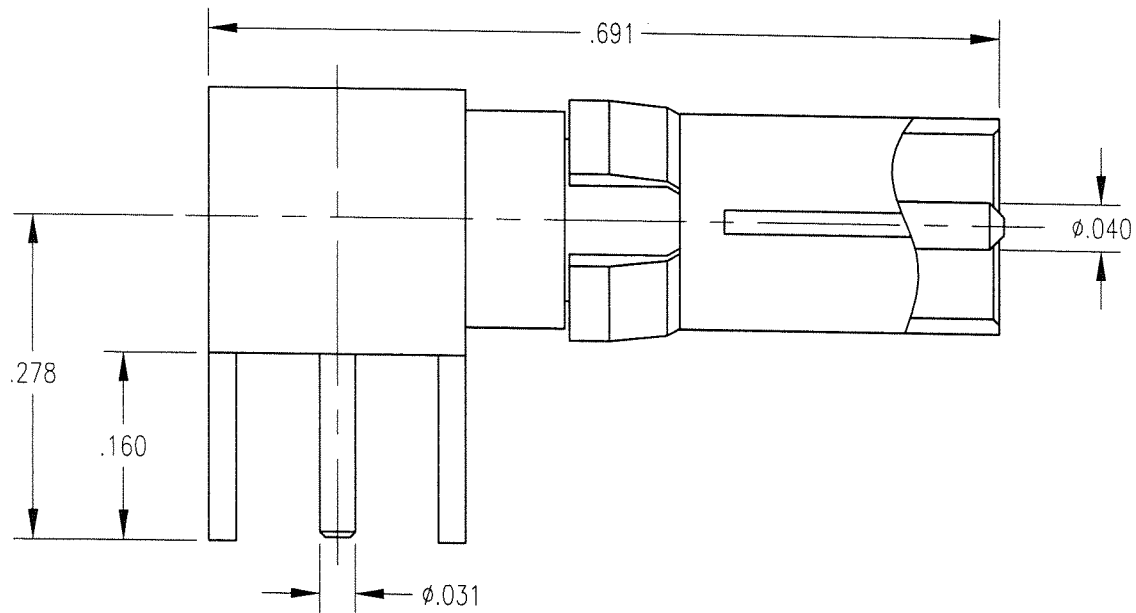


DWG NO. 403-010-6041G			
REV	DESCRIPTION	BY DATE	APPD.
B	ECR 6719	10/10/01 HAW	[Signature]



MOUNTING HOLES

NOTES:

- MATERIALS:
 REAR BODY AND CONTACT: BRASS PER ASTM B16
 FRONT BODY: BERYLLIUM COPPER PER ASTM B196
 CLIP RING: BERYLLIUM COPPER PER ASTM B194
 INSULATOR: TEFLON PER ASTM D1710
- FINISH:
 BODIES AND CONTACT: .000030 MIN. GOLD PER MIL-G-45204
 OVER .000050 MIN. NICKEL PER QQ-N-290
 CLIP RING: .000100 MIN. NICKEL PER QQ-N-290
 OVER COPPER FLASH
- FOR USE IN DIN 41612 HOUSING.

PER ASME Y14.5M-1994 UNLESS OTHERWISE SPECIFIED: DIMENSIONS ARE IN INCHES (MM)				Litton	
TOLERANCES: DECIMALS .xx ± .01/0.254 .xxx ± .005/0.127 ANGLES ± 2°				Winchester/Retconn 400 Park Road Watertown, Connecticut 06795	
CUSTOMER DRAWING		SCALE: 6:1		TITLE	
DRAWN JEM		DATE 1/30/01		40 SERIES R/A RECEPTACLE	
CHECKED JWH		DATE 1/31/01		PART NO.	
APPROVED KJT		DATE 1/31/01		REV. B	
APPROVED JED		DATE 1/31/01		A 403-010-6041G SMT. 1 OF 1	