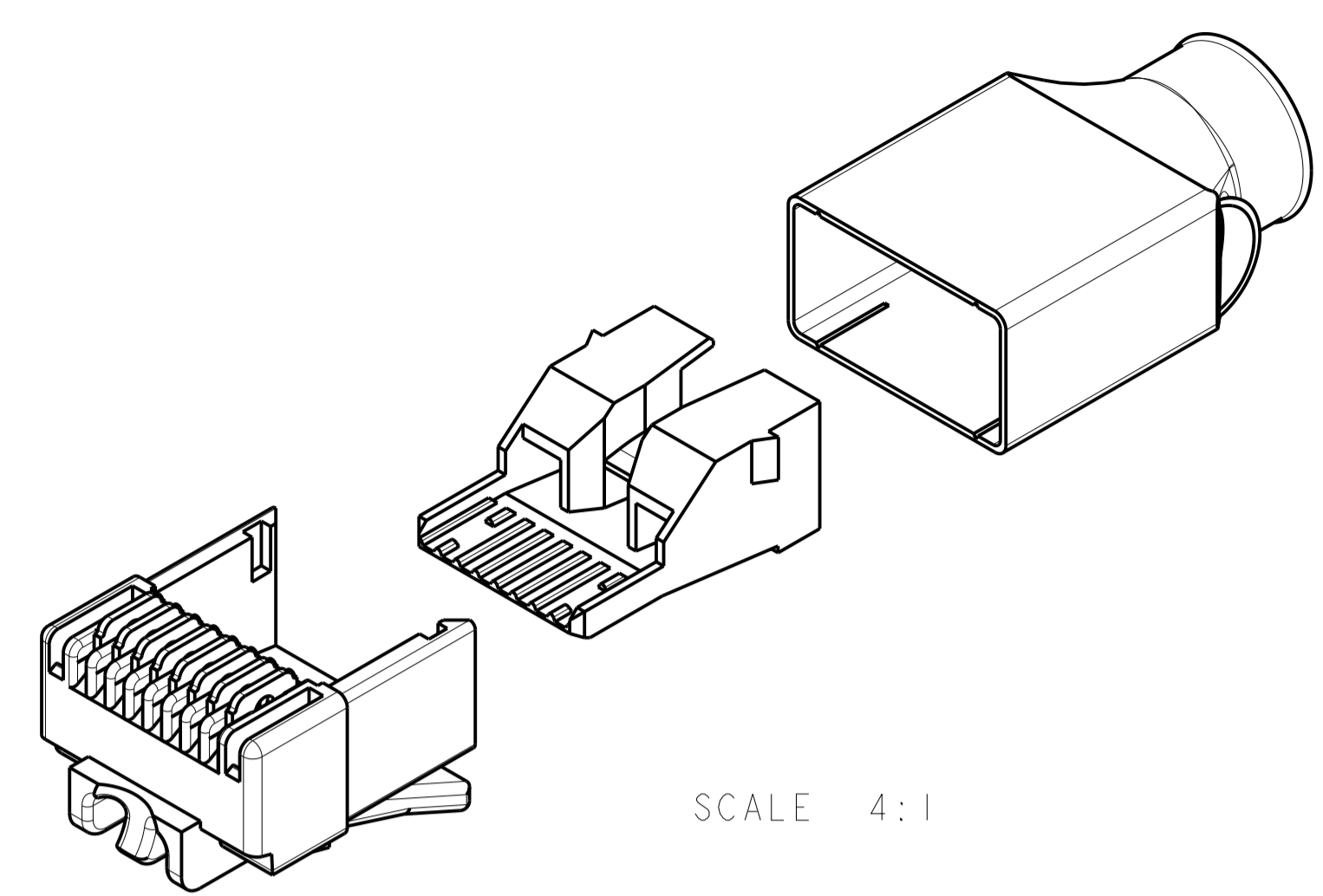
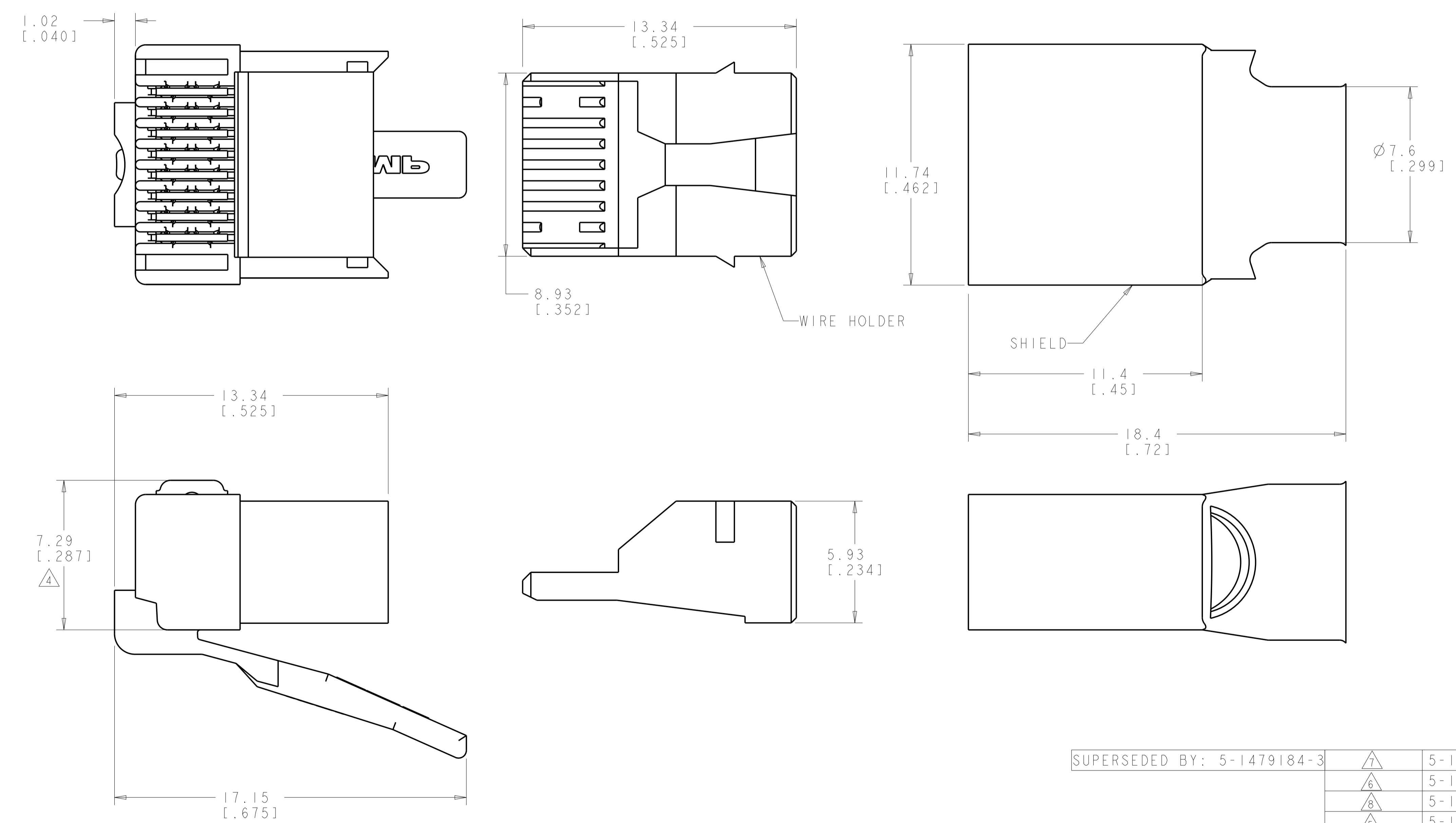


LOC		DIST		REVISIONS			
REV	LTN	DESCRIPTION	DATE	DWN	APVD		
D1		REVISED PER ECO-11-005027	16MAR2011	RK	HMR		
E		REV PER ECO-12-012918	16JUL2012	JM	JG		
F		REV PER ECO-13-015339	04OCT2013	JB	JG		
G		REV; ECO-14-004910	01APR2014	GG	JG		



SCALE 4:1

- 1. MATERIAL: HOUSING - 94V-0 RATED POLYCARBONATE CLEAR TERMINAL - TERMINAL - 0.36 [.014] THICK PHOSPHOR BRONZE PLATED WITH 0.178 μm [.000007] GOLD IN LOCALIZED AREA OVER 0.762 μm [.000030] PALLADIUM / NICKEL IN LOCALIZED AREA, OVER 2.54 μm [.000100] THICK NICKEL ON ENTIRE TERMINAL.
WIRE HOLDER - POLYCARBONATE CLEAR.
SHIELD - BRASS DIN 17660 - CuZn33
- 2. DIMENSIONS ARE NOMINAL UNLESS OTHERWISE SPECIFIED.
- 3. PLUG WILL ACCEPT A 24-26 AWG STRANDED CONDUCTOR, PROVIDED THE INSULATION CONDUCTOR DIAMETER IS WITHIN .89 - 1.09 [.035 - .043]; WITH THE SUM OF DIAMETERS FOR ALL EIGHT CONDUCTORS WITHIN THE CABLE MUST NOT EXCEED 7.8MM [.31 IN]. CABLE JACKET DIAMETER OF 6.0 - 7.0MM [.24 - .28 IN].
- 4. TERMINATED DIMENSION 6.15 [.242] MAXIMUM.
- 5. PACKAGE 1,000 ASSEMBLIES, 1,000 WIRE HOLDERS, AND 1,000 SHIELDS.
- 6. PACKAGE 100 ASSEMBLIES, 100 WIRE HOLDERS, AND 100 SHIELDS.
- 8. PACKAGE 500 ASSEMBLIES, 500 WIRE HOLDERS, AND 500 SHIELDS.
- 9. MODULAR PLUG BOOT, PART NUMBER 1711510-X (X-DENOTES VARIOUS COLORS), MAY BE USED WITH KIT ASSEMBLY SHOWN.
- 10. UL RECOGNIZED: FILE NUMBER E81956.



SUPERSEDED BY: 5-1479184-3	5-1479184-4
	5-1479184-3
	5-1479184-2
	5-1479184-1
PACKAGE	PART NO.

THIS DRAWING IS A CONTROLLED DOCUMENT.

DWN: G. GARRETT 24JAN02
CHK: M. DELPHIAS 24JAN02
APVD: M. DELPHIAS 24JAN02

TE Connectivity

STE

KIT, 8 POSITION, MODULAR PLUG, STRANDED WIRE, CATEGORY 6

Customer Drawing

SCALE 8:1 SHEET 1 OF 1 REV G