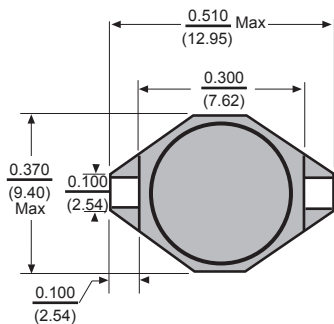
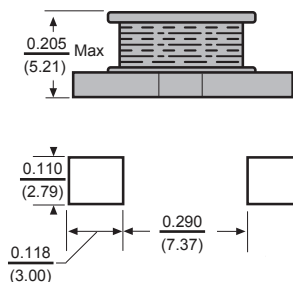


PCI40 Power Chip Inductors



Dimensions: $\frac{\text{Inches}}{\text{(mm)}}$



Features

- Compact and Low Profile
- High energy storage and low DCR
- Designed with high heat resistant materials for reflow operation
- Wrap around terminals for excellent solder quality and inspection
- Flat top for pick and place assembly
- Non standard values available

Electrical

Inductance Range: 1.0 μ h to 2200 μ h.

Tolerance: \pm 20% over the entire inductance range.

Test Frequency: Inductance measured at 100KHz, 0.1 Vrms.

Operating Temp. Range: -40° to +85°C.

Inductance Drop: 20% typical at rated Isat.

Temperature Rise: $\Delta T=15^{\circ}\text{C}$ rise typical at Irms.

Physical

Marking: Previously marked with 3 dot color code system

Packaging: 1,000 pieces per 13 inch reel.

| Allied Part Number | Inductance (μ h) | Tolerance (%) | SRF (MHz) TYP | DCR Max. Ω | Isat (A) | Irms (A) |
|--------------------|-----------------------|---------------|---------------|-------------------|----------|----------|
| PCI40-1R0M-RC | 1.0 | 20 | 100 | .009 | 9.0 | 6.8 |
| PCI40-1R5M-RC | 1.5 | 20 | 90 | .010 | 8.0 | 6.4 |
| PCI40-2R2M-RC | 2.2 | 20 | 80 | .012 | 7.0 | 6.1 |
| PCI40-3R3M-RC | 3.3 | 20 | 65 | .015 | 6.4 | 5.4 |
| PCI40-4R7M-RC | 4.7 | 20 | 45 | .018 | 5.4 | 4.8 |
| PCI40-6R8M-RC | 6.8 | 20 | 38 | .027 | 4.6 | 4.4 |
| PCI40-100M-RC | 10 | 20 | 30 | .038 | 3.8 | 3.9 |
| PCI40-120M-RC | 12 | 20 | 27 | .0432 | 3.5 | 3.6 |
| PCI40-150M-RC | 15 | 20 | 27 | .046 | 3.0 | 3.1 |
| PCI40-220M-RC | 22 | 20 | 19 | .085 | 2.6 | 2.7 |
| PCI40-330M-RC | 33 | 20 | 15 | 0.10 | 2.0 | 2.1 |
| PCI40-470M-RC | 47 | 20 | 12 | 0.14 | 1.6 | 1.8 |
| PCI40-680M-RC | 68 | 20 | 10 | 0.20 | 1.4 | 1.5 |
| PCI40-101M-RC | 100 | 20 | 9.0 | 0.28 | 1.2 | 1.3 |
| PCI40-151M-RC | 150 | 20 | 6.0 | 0.40 | 1.0 | 1.0 |
| PCI40-221M-RC | 220 | 20 | 5.0 | 0.61 | 0.8 | 0.8 |
| PCI40-331M-RC | 330 | 20 | 4.5 | 1.02 | 0.6 | 0.6 |
| PCI40-471M-RC | 470 | 20 | 3.5 | 1.27 | 0.5 | 0.5 |
| PCI40-681M-RC | 680 | 20 | 2.5 | 2.02 | 0.4 | 0.4 |
| PCI40-102M-RC | 1000 | 20 | 2.0 | 3.00 | 0.3 | 0.3 |
| PCI40-152M-RC | 1500 | 20 | 1.4 | 4.50 | 0.25 | 0.2 |
| PCI40-222M-RC | 2200 | 20 | 0.8 | 7.00 | 0.20 | 0.2 |

All specifications subject to change without notice.