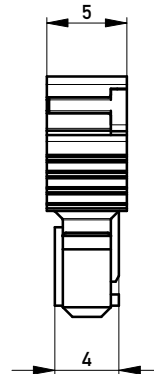
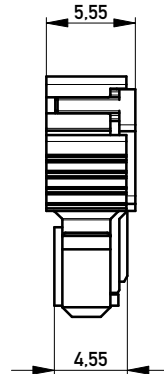
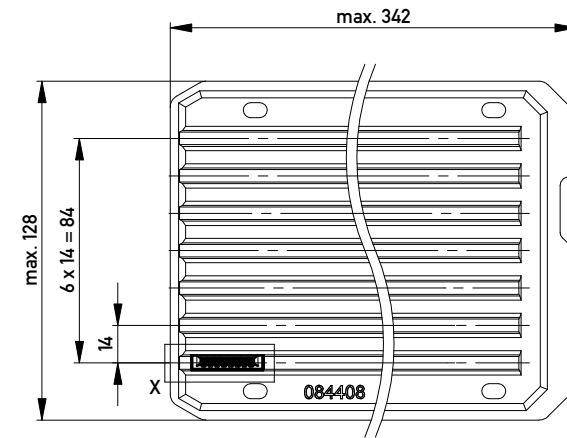


Abdeckung vorverrastet  
cover loose mounted

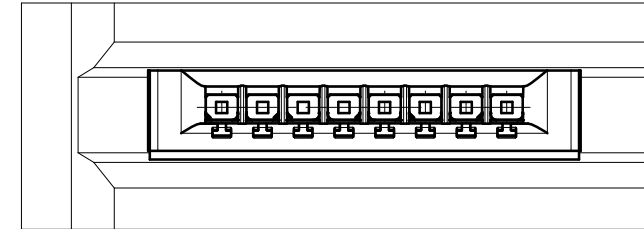
Abdeckung verpresst  
cover pressed on

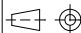



Verpackt in Tray - tray packaging  
Verpackungseinheit 77 Stück - packaging unit 77



Einzelheit X  
detail X



Information: Codierung rot - Coding red	Tolerances  All Dimensions in mm	Scale	3:1
		Designation <b>F 2,54 SRC-A, 8-polig BA 2</b>	
All rights reserved. Only for Information. To ensure that this is the latest version of this drawing, please contact one of the ERNI companies before using.	Subject to modification without prior notice. Drawing will not be updated.	<b>101802000001</b>	
		 www.ERNI.com	K <b>A3</b>
c Index	14.05.2014 Date	Class SRCBUG	

Copyright by ERNI GmbH  
 Proprietary notice pursuant to ISO 16018 to be observed.