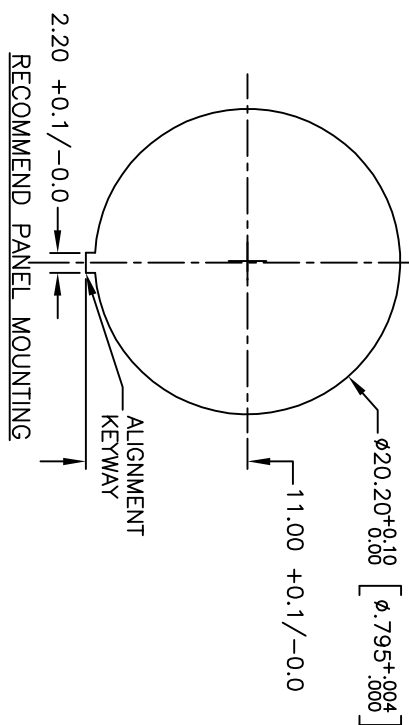


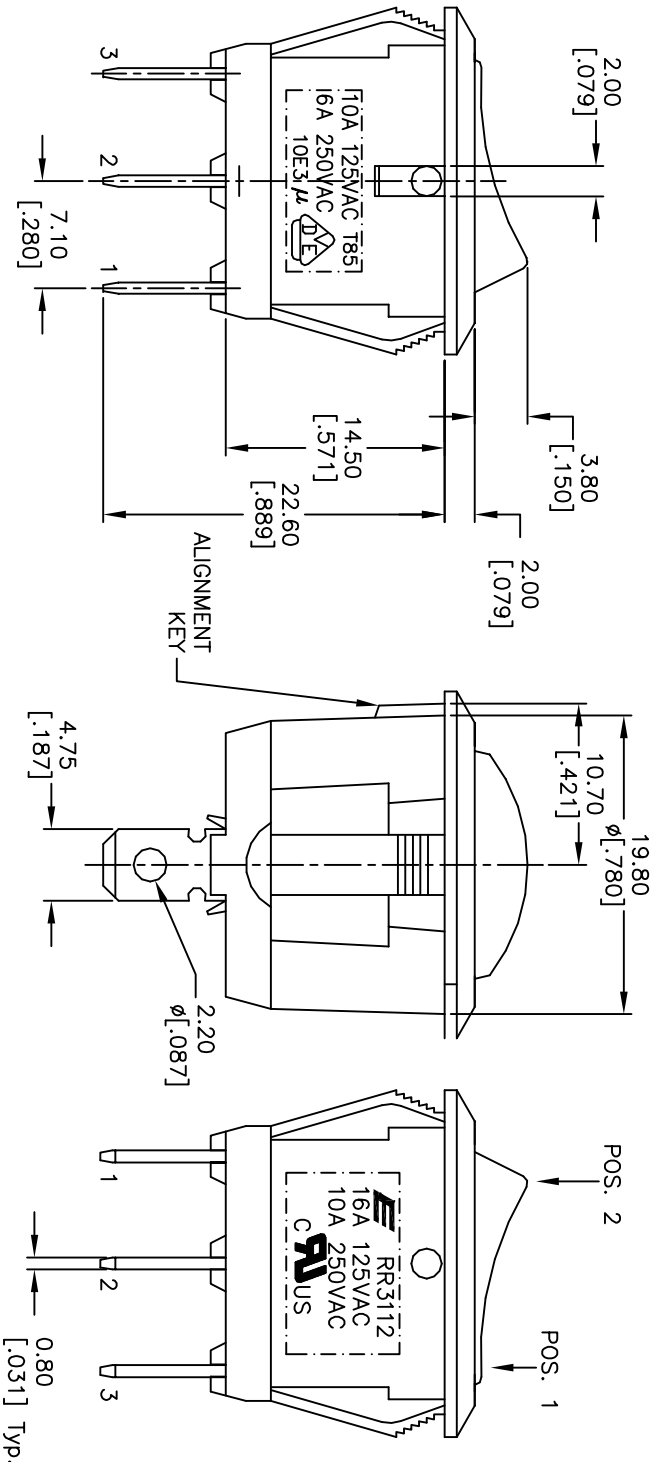
CIRCUIT: 2P: SPST
CONTACT CONFIGURATION
ON-OFF (ILLUMINATED)



SWITCH FUNCTION	
POS. 1	POS. 2
ON	OFF
2-1	OPEN

NOTES:

1. ALL DIMENSIONS IN MM [INCH]
2. GENERAL TOLERANCE: 0.0=±0.4
0.00=±0.25
3. TERM. NOS. FOR REF. ONLY
4. RATING: 16A, 125VAC, 10A, 250VAC UL&CUL APPROVED
10A 125VAC, 6A 250V AC VDE APPROVED
5. CONTACT RESISTANCE: 50m ohm max.
6. INSULATION RESISTANCE: DC 500V 100M ohm min.
7. DIELECTRIC STRENGTHS: AC 1500V 1 minute
8. OPERATING TEMP.: 0°C to 85°C
9. LAMP: 110V NEON
10. ▲ DENOTES CRITICAL PARAMETER.



REV.	ECN No.	DESCRIPTION	DATE	CHKD
B	18297	TITLE OF DRAWING CHANGED	11/5/08	BLR
A	14116	RELEASED FOR PRODUCTION	6/28/03	AR

TITLE		SCALE	DATE	DR	DWG	REV
RR3112BBLKREDAF1		2:1	11/5/08	AR	F130455	B



THE INFORMATION CONTAINED IN THIS DOCUMENT IS PROPRIETARY TO E-SWITCH AND IS NOT TO BE COPIED OR TRANSMITTED