

THIS DRAWING IS A CONTROLLED DOCUMENT FOR FCI INTERCONNECTIONS. IT IS SUBJECT TO CHANGE AND THE CONTROLLING DOCUMENT CONTROL CENTER SHOULD BE CONTACTED FOR THE LATEST REVISION.

THIS INFORMATION IS CONFIDENTIAL AND DISCLOSED TO YOU ON CONDITION THAT NO FURTHER DISCLOSURE IS MADE BY YOU TO OTHER THEN FCI PERSONNEL WITHOUT WRITTEN AUTHORIZATION FROM FCI INTERCONNECTIONS, YORK, PA.

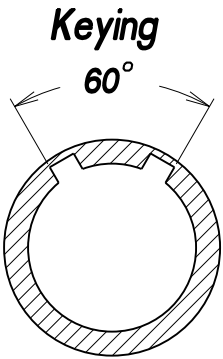
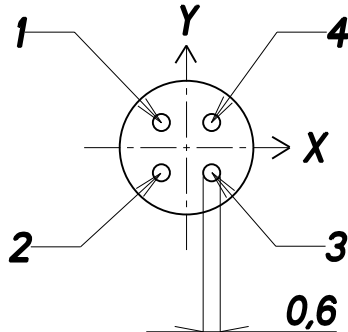
Insulator
Viewed from wiring side



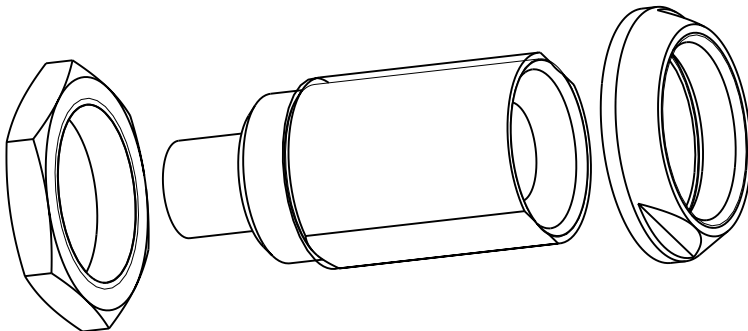
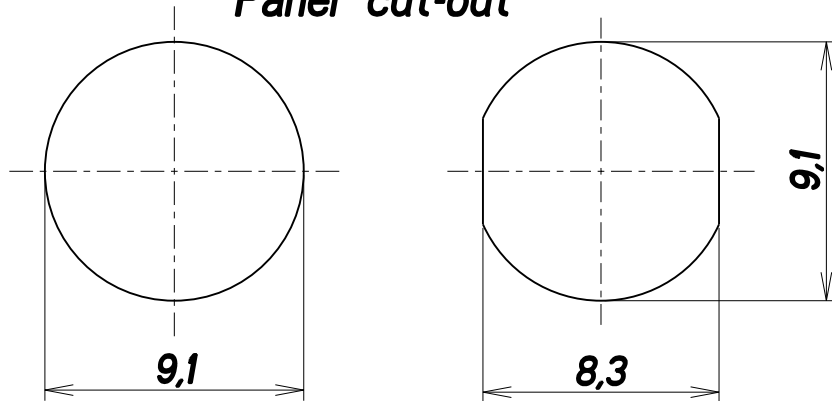
4 sockets 0.7 mm

PCB drilling

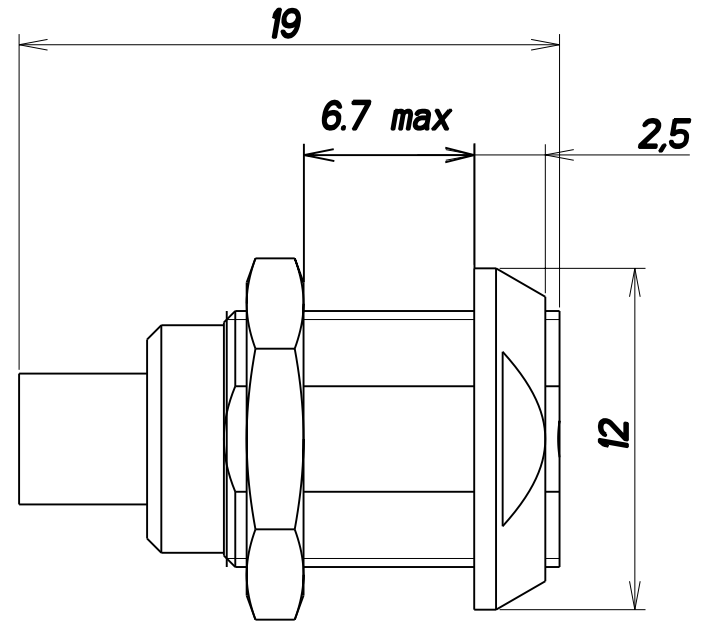
Rep	X	Y
1	-0.9	0.9
2	-0.9	-0.9
3	0.9	-0.9
4	0.9	0.9



Panel cut-out



Dimensions (mm)



DOUBLE NUT RECEPTACLE size 0

REV	DESCRIPTION	BY DATE	CHKD DATE	SHEET No.	ZONE
		xxx mm-dd-yy	xxx mm-dd-yy		

REVISION
DRAWING TITLE
DOUBLE NUT RECEPTACLE SIZE 0

CAT NO. **JBX-EA-0B-04-FP-SDS**

DWG RELEASED TO CENTRAL FILE: X
CAGE NO: -- DON: -- PC: -- SIZE: A

APPROVAL	DRAWN:	JAB	10-30-00
	CHKD:	RC	10-30-00
DSGN:	--	--	
MFG:	--	--	
QC:	--	--	
DRAWING SCALE:		4/1	
DRAWING NO.		REV	
JBX-EA-0B-04-FP-SDS		0	

