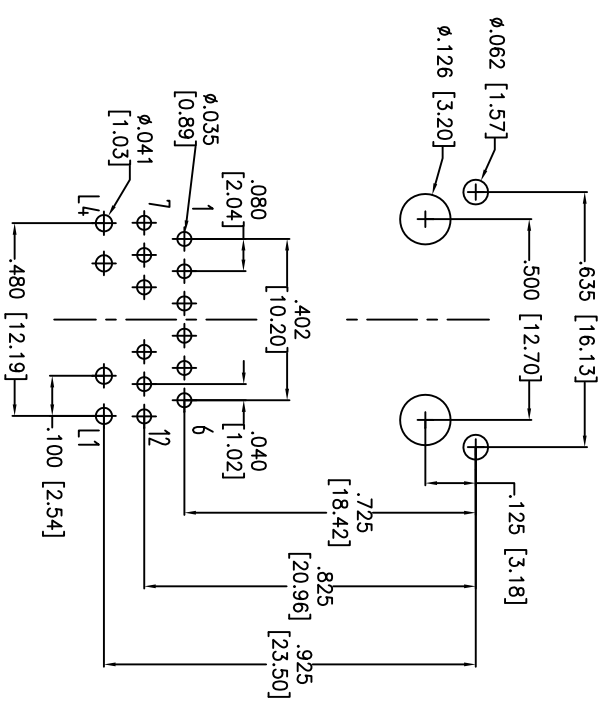
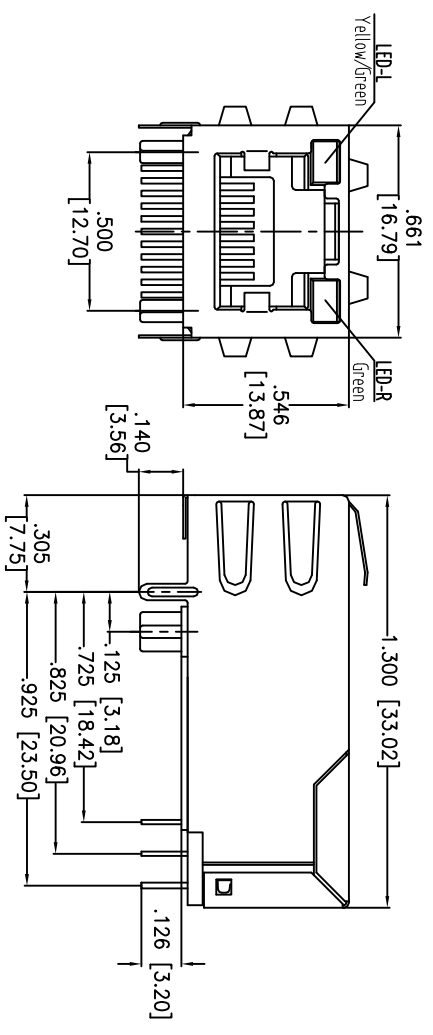


| Rev | AWO # | Description | Date | Appr |
|-----|-------|-------------|---------|------|
| - | | RELEASED | 7/13/11 | |

APPROVED: _____
 DATE: _____ TITLE: _____



| X | PLATING |
|---|-------------|
| 0 | 15 μin Gold |
| 1 | 30 μin Gold |
| 2 | 50 μin Gold |

SPECIFICATIONS:

Material: Hi-temp thermoplastic, glass reinforced, rated UL 94V-0

Insulator color: Black
 Contacts: Phosphor Bronze
 Shield: Copper Alloy, Nickel plated

Contact Plating:
 Gold Flash over Nickel underplate on contact area,
 Tin over Copper underplate on tails
 (See chart for thickness).

Electrical:
 Operating voltage: 125 VAC max
 Current rating: 1.5 Amps max

Contact Resistance: 30 mohms max. @ 500 VDC
 Insulation resistance: 500 Mohms min @ 500 VDC

Dielectric strength: 1500 VAC RMS 60Hz, 1 min.
 Temperature Rating:
 Operating temperature: 0°C to +70°C

Environmental:
 Lead free, RoHS compliant.
 Recommended soldering temp: 260°C for 5 sec.



UNLESS OTHERWISE SPECIFIED
 ALL DIMENSIONS ARE INCHES [MM]
 TOLERANCES: EXCEPT AS NOTED
 INCHES HOLES
 .X ± .10 Ø.X ± .10
 .XX ± .020 Ø.XXX ± .015
 .XXX ± .015 Ø.XXXX ± .010

ADAM TECH
 909 Rahway Avenue, Union, NJ 07083
 Phone: 908-687-5000 Fax: 908-687-5710

| APPROVALS | DATE | TITLE | SIZE | PART NO. | REV. |
|-----------|------|---------|------|------------------------------|------|
| DRAWN | DY | 7/13/11 | X | MTJ-88CX1-FSP-PG-LU-M20-HT-A | |
| CHECKED | | | | | |
| APPROVED | | | | | |