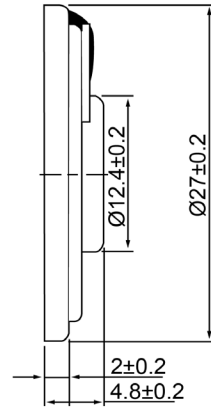
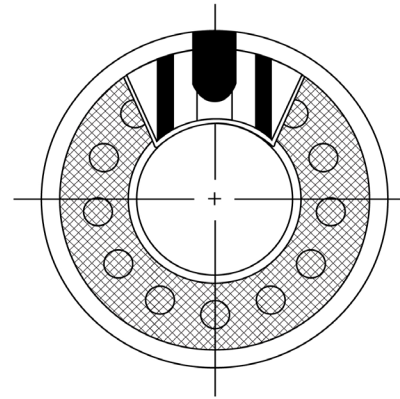



SIDE VIEW



BOTTOM VIEW



Specifications			Notes	Revision History					
Description	Value	Unit		Version	Description		Date	Approved	
Shape	Round		1) All dimensions are in mm unless otherwise noted 2) All parts meet RoHS  DB UNLIMITED	1	Released from Engineering		10/21/2013	J.S	
Resonant Frequency	630	(Hz)							
Frequency Range	630 ~ 7,100	(Hz)							
SPL @ 10cm	91	(dBA)							
Impedance	8	(Ohm)							
Cone Material	Mylar								
Nominal Power	0.1	(W)							
Max Power	0.2	(W)							
Mount Type	Flush								
Operating Temperature	-40 ~ +66	°C							
Storage Temperature	-40 ~ +66	°C							
Weight	5.6	(g)							
				Drawn by: A.B.    Date: 10/21/2013    Checked by: C.E.    Date: 10/21/2013    Approved by: J.S    Date: 10/21/2013					
				<b>Dynamic Speaker</b>			<b>SM270808-1</b>		