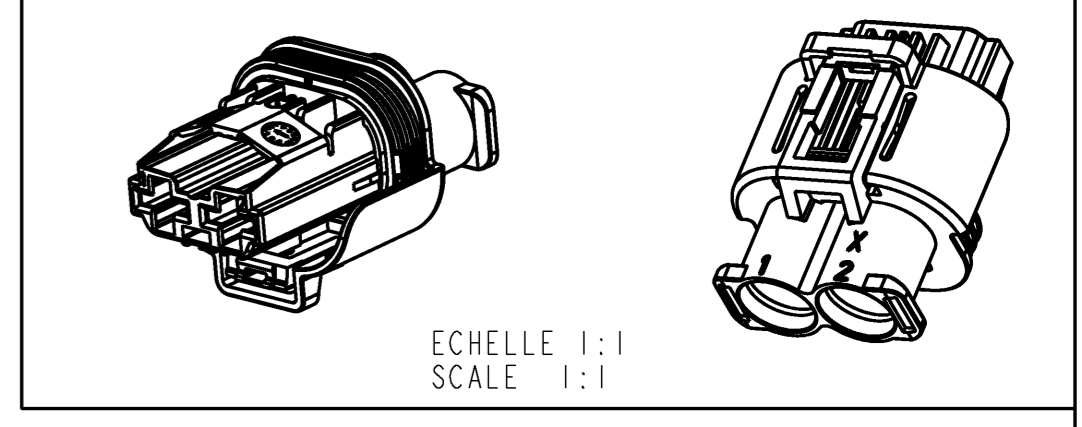
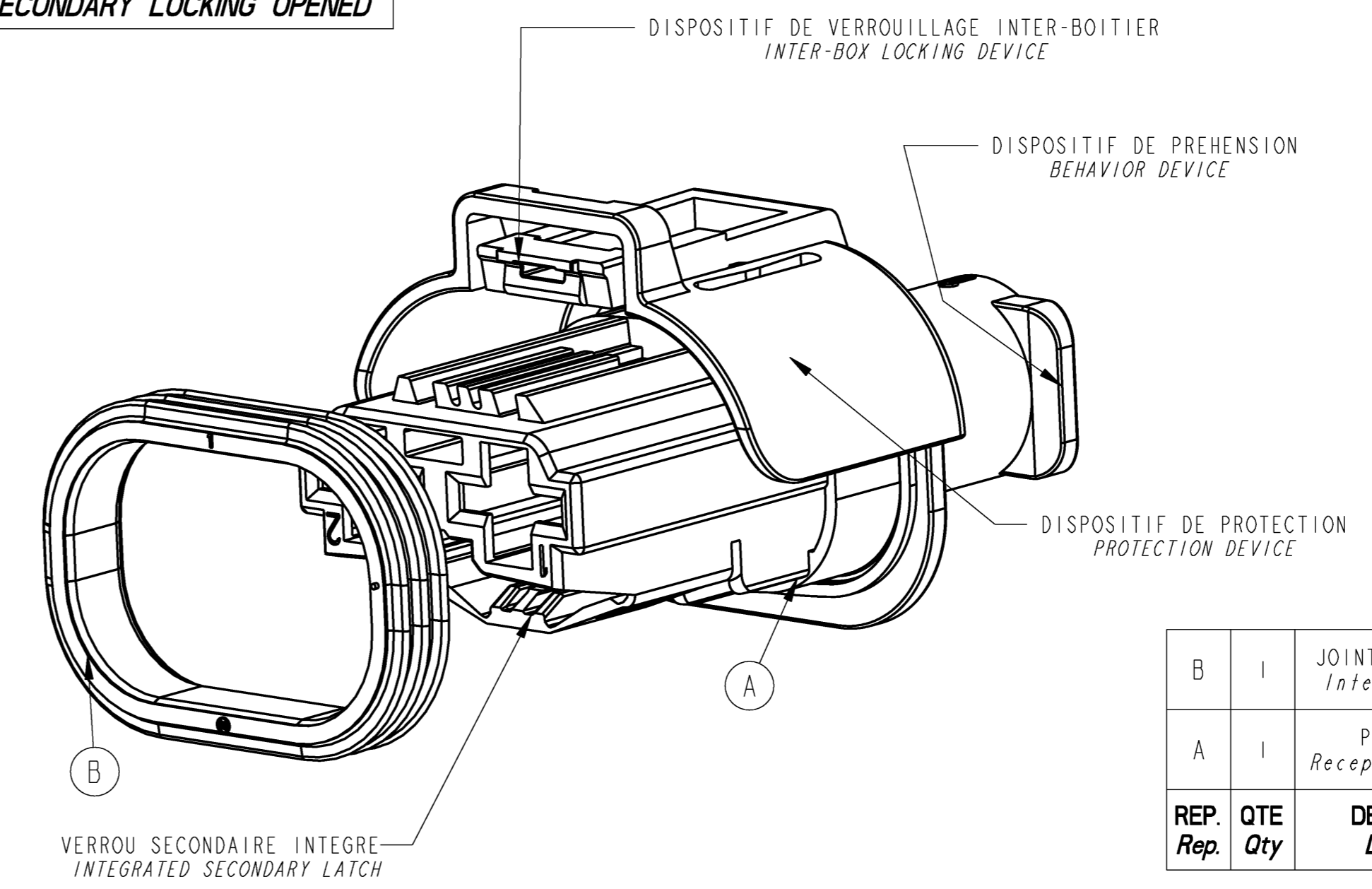
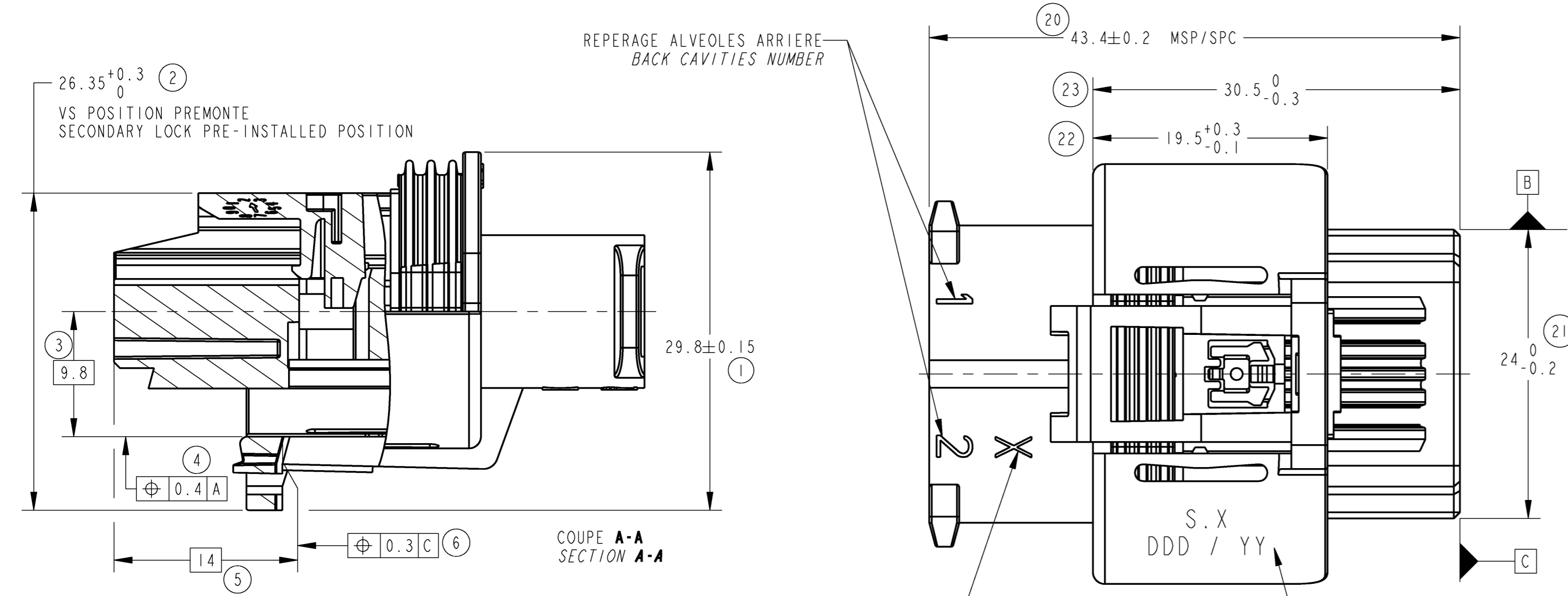
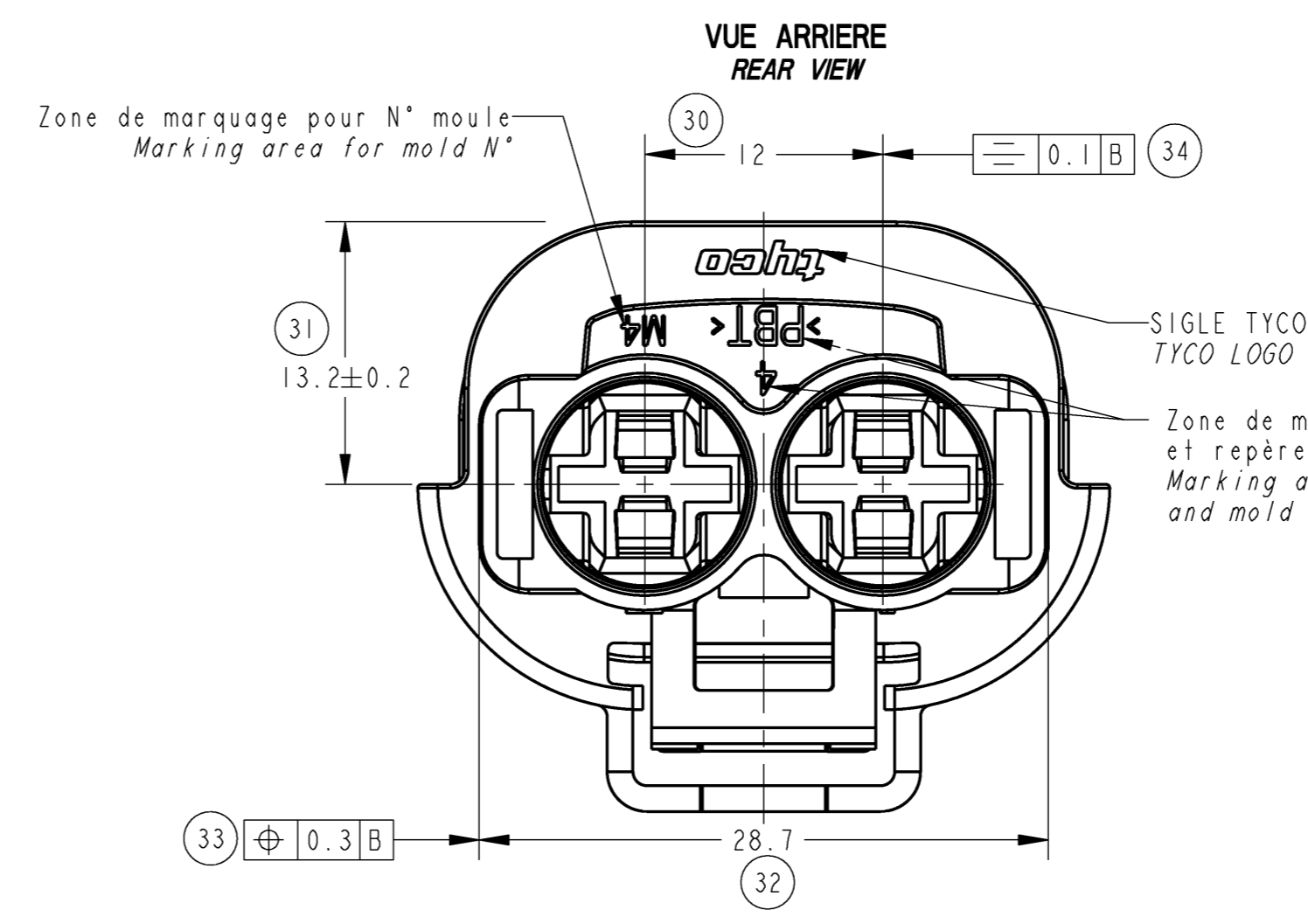
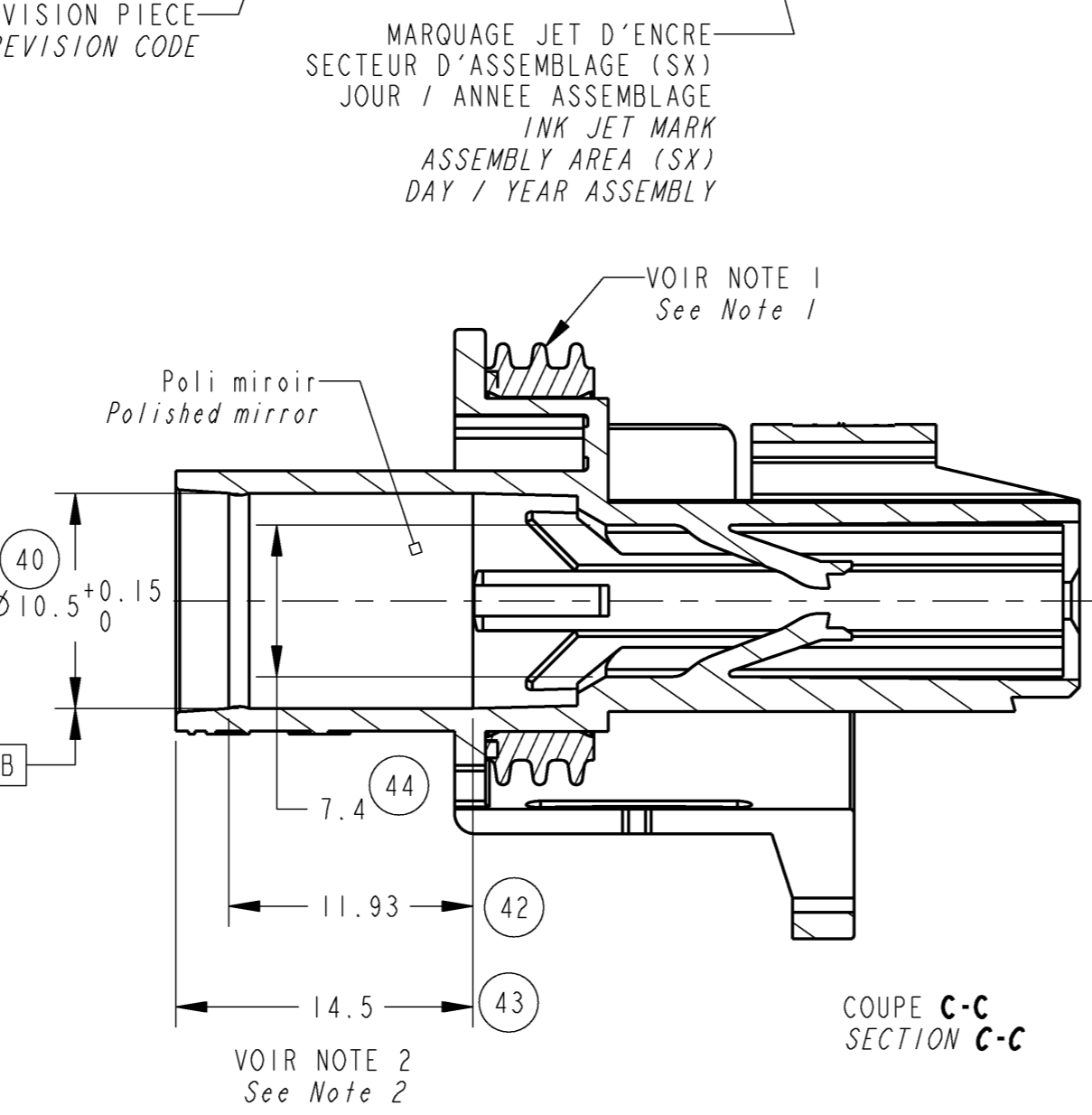
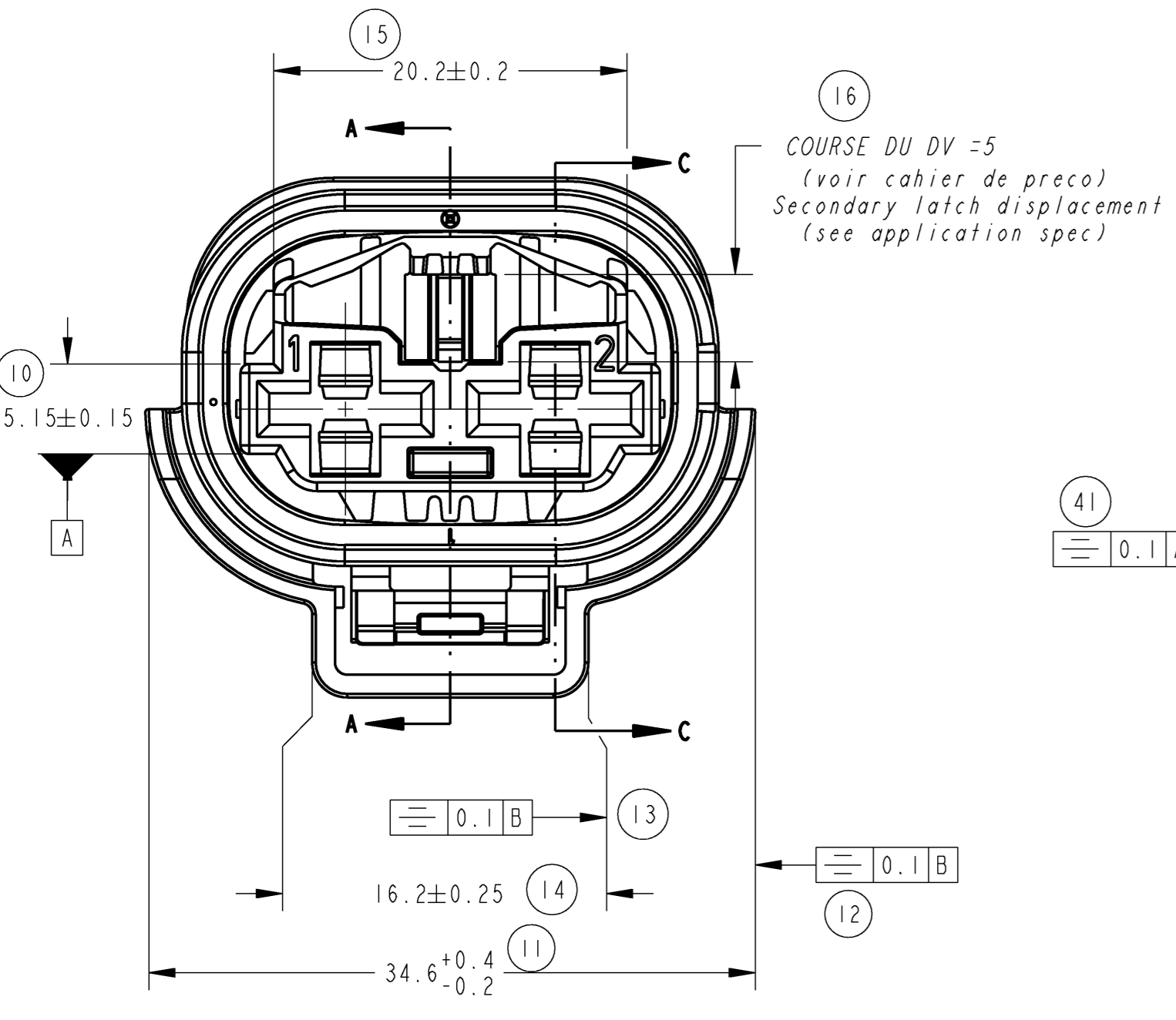


PORTE-CLIPS / VS OUVERT
TERMINAL RECEPTACLE HOUSING / SECONDARY LOCKING OPENED



REP. / Rep.	QTE / Qty	DESIGNATION / Description	MATIERE / Material	COULEUR / Colour
B	I	JOINT INTERFACIAL / Interfacial seal	SILICONE MVQ 50 autolubrifie / MVQ 50 Self-lubricated silicon	VERT / Green
A	I	PORTE-CLIP / Receptacle housing	PBT	VOIR TABLEAU / See table



NOTES :

- <1> LEVRES DU JOINT EXEMPTES DE BAVURES, COUPURES OU DEFATS D'ASPECTS
SEAL MUST NO BURRS, CRACKS OR SURFACES DEFECTS
- <2> ZONE SANS PLAN DE JOINT , EXEMTE DE MARQUES OU RAYURES
AREA WITHOUT JUNCTION LINES , MUST NO MARKS OR BURRS
- MSP : COTES SUIVIES EN MSP / SPC DIMENSIONS .

DOCUMENTS DE REFERENCE / REFERENCE DOCUMENTS :

- PLAN D'INTERFACE / INTERFACE DRAWING :
TYCO : No / Nr 1544681
PSA : STE No / Nr 9638276999
- PLAN D'ALVEOLE 8mm NGI / 8mm NGI CAVITY DRAWING :
TYCO : No / Nr 3213 D 101 (No PRONER)
PSA : STE No / Nr 9641753599
- CDC CONNECTIQUE PSA / PSA CONNECTIC CDC
PSA : STE No / Nr 96 299 660 99

REFERENCES PORTES LANGUETTES ASSOCIEES / ASSOCIATED TABS HOUSINGS REFERENCES

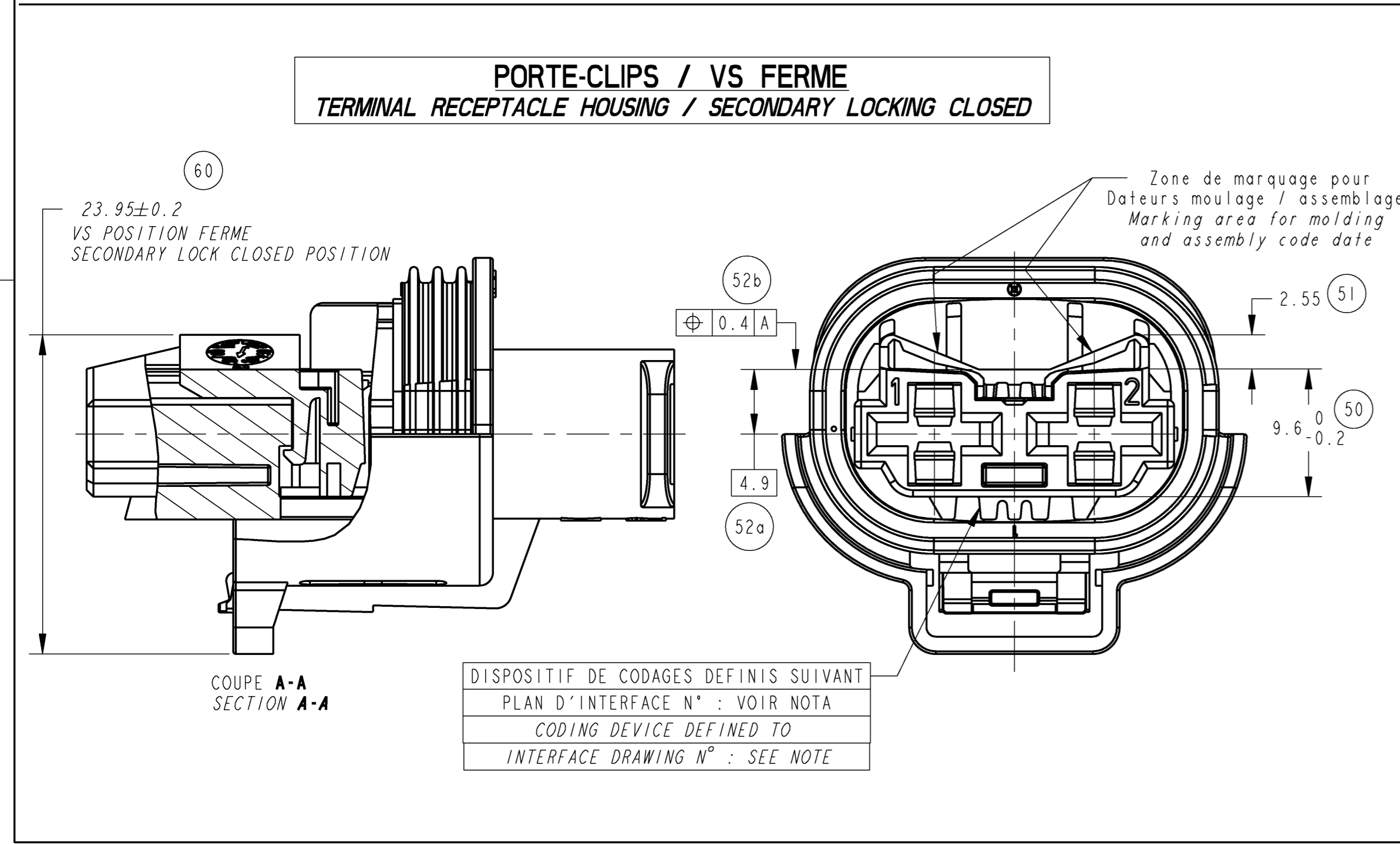
REF (PN) TYCO	DESIGNATION / DESCRIPTION	MATIERE / MATERIAL	COULEUR / COLOR
1544334-1	Porte-langchette 2 voies 8NGI etanche / 2-way 8NGI sealed tab housing	PBT 10% FV / PBT GF 10%	NOIR / BLACK
1544334-2	Porte-langchette 2 voies 8NGI etanche / 2-way 8NGI sealed tab housing	PBT 10% FV / PBT GF 10%	BLEU / BLUE
1544334-3	Porte-langchette 2 voies 8NGI etanche / 2-way 8NGI sealed tab housing	PBT 10% FV / PBT GF 10%	GRIS / GREY

REFERENCES CLIPS ET JOINTS ASSOCIEES / ASSOCIATED FEMALES RECEPTACLES AND SEALS REFERENCES

REF (PN) TYCO	DESIGNATION / DESCRIPTION	MATIERE / MATERIAL	COULEUR / COLOR
1544227-1	Clip 8mm NGI, section 3 a 6 mm ² / Receptacle 8mm NGI, wire-sect 3 to 6 mm ²	Cuivre Micro allie / Micro alloy copper	/
1544228-1	Clip 8mm NGI, section 7 a 10 mm ² / Receptacle 8mm NGI, wire-sect 7 to 10 mm ²	Cuivre Micro allie / Micro alloy copper	/
1544316-1	Joint unifilaire, diametre fil 3.18 a 4.2mm / Single wire seal, wire diameter 3.18 to 4.2mm	Silicone Autolubrifie / Self-lubricated Silicon	VERT / GREEN
1544316-2	Joint unifilaire, diametre fil 4.3 a 6mm / Single wire seal, wire diameter 4.3 to 6mm	Silicone Autolubrifie / Self-lubricated Silicon	ORANGE / ORANGE
1544316-3	Bouchon / Seal plug	Silicone Non-lubrifie / No-lubricated Silicon	BLANC / WHITE
1544664-1	Super-joint unifilaire, diametre fil 3.18 a 4.2mm / Super-single wire seal, wire diameter 3.18 to 4.2mm	Silicone Autolubrifie / Self-lubricated Silicon	VERT / GREEN
1544664-2	Super-joint unifilaire, diametre fil 4.3 a 6mm / Super-single wire seal, wire diameter 4.3 to 6mm	Silicone Autolubrifie / Self-lubricated Silicon	ORANGE / ORANGE
1544664-3	Super-bouchon / Super-seal plug	Silicone Non-lubrifie / No-lubricated Silicon	BLANC / WHITE

REFERENCES TYCO & CODAGES COULEURS ASSOCIES / TYCO PART NUMBERS & ASSOCIATED CODING COLORS

TYCO PART NUMBER	TYCO PART NUMBER	TYCO PART NUMBER
1544317-1	1544317-2	1544317-3
NOIR / BLACK	BLEU / BLUE	GRIS / GREY



<p>TYCO ELECTRONICS FRANCE SAS 1544334-1 20APR2005 P. CHARLES 108-15346</p>	<p>TYCO ELECTRONICS FRANCE SAS 1544334-1 20APR2005 P. CHARLES 108-15346</p>	<p>TYCO ELECTRONICS FRANCE SAS 1544334-1 20APR2005 P. CHARLES 108-15346</p>	<p>TYCO ELECTRONICS FRANCE SAS 1544334-1 20APR2005 P. CHARLES 108-15346</p>
---	---	---	---