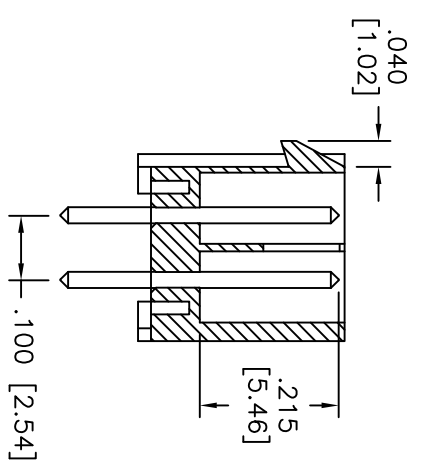
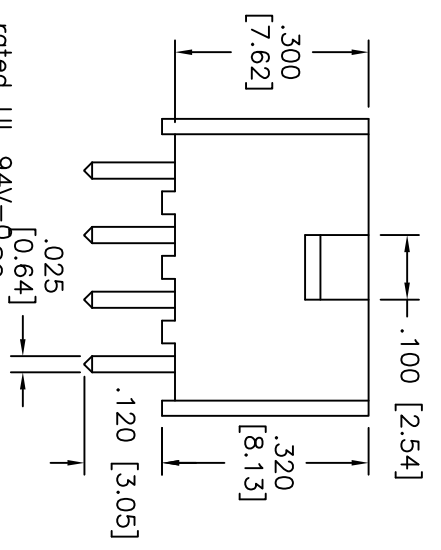
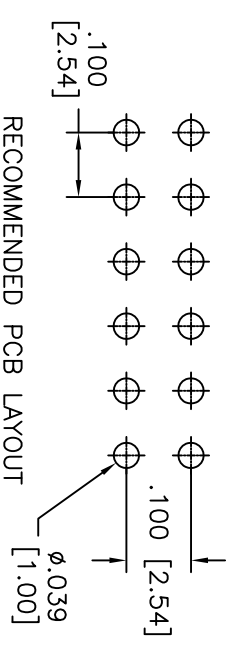
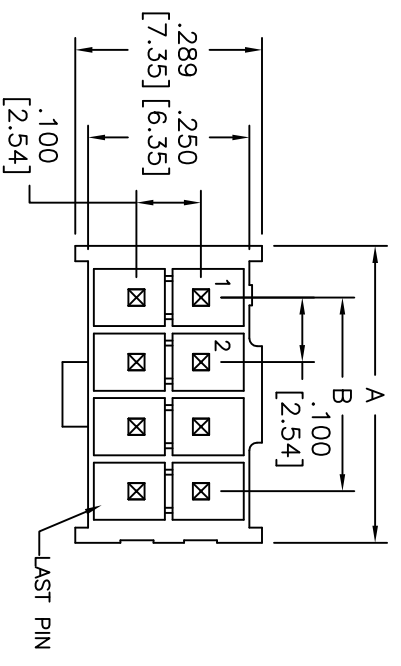


Rev	AWO #	Description	Date	Appr
-	9632	RELEASED	6/25/10	

APPROVED: _____
 DATE: _____ TITLE: _____



SPECIFICATIONS:

Material: Insulator: Hi-temp thermoplastic, rated UL 94V-0 SQ.
 Insulator color: Black
 Contact: Phosphor Bronze, Gold or Tin over Nickel

Electrical:
 Rated Current: 3A
 Rated Voltage: 675V AC/DC
 Contact Resistance: 20 mohms Max

Environmental:
 Withstand Voltage: 1000V AC/minute
 Insulation Resistance: 1000 mohms min
 Operation Temperature: -55°C to +125°C
 Lead free, RoHS compliant.
 Recommended soldering temp: 260°C for 5 sec.

Safety Agency Approvals:
 UL Recognized & CSA Certified, File no. E2224053



Positions: 2 thru 25 per row
 A = .100 [2.54] X No. of Positions per row + .060 [1.52]
 B = .100 [2.54] X No. of (Positions-1) per row

ADAM TECH
 909 Rahway Avenue, Union, NJ 07083
 Phone: 908-687-5000 Fax: 908-687-5710

TITLE: .100 [2.54] WAFER, DUAL ROWS, STRAIGHT

UNLESS OTHERWISE SPECIFIED ALL DIMENSIONS ARE IN INCHES TOLERANCES: EXCEPT AS NOTED	
.X	± .10
.XX	± .020
.XXX	± .015
.XXX	± .010
ØXX	± .10
ØXXX	± .015
ØXXX	± .010
APPROVALS:	
DRAWN	DY
CHECKED	
APPROVED	
DATE: 6/25/10	

SIZE	PART NO.	REV.
X	DMW-XX-HT-V0	-
REF: S000190	SCALE: NTS	SHEET 1 OF 1