

Z119E0rs  
(ON ENHANCED) 各要図

版数 REV.	年月日 DATE	CON NO.	変更内容 DESCRIPTION	製図 DR.	担当 CHK.	査閲 APPD.	承認 APPD.
2	5.Sep.2001	48684	ADDED ABRIDGED PART NUMBER		Y.YAHIRO		K.SUZUKI
3	7.Nov.2001	49068	CHANGED FORM		Y.YAHIRO		K.SUZUKI
4	21.Dec.2001	49304	CHANGED FORM		Y.YAHIRO	S.KASHIWA01	K.SUZUKI
5	19.Sep.2003	053326	ADDED TABLE 2 (ADDED ITEM)		R.KATOU	Y.YAHIRO	S.Kashiwagi

DESIGNATION

MM50-200B\*-C1

SERIES PREFIX  
シリーズ名  
NO. OF CONTACTS  
芯数

CONTACT FINISH  
接点仕上げ  
1:Au(0.1μm MIN) OVER NI  
MODIFY CODE  
モテ イフアイコート  
C:WITHOUT BOSS

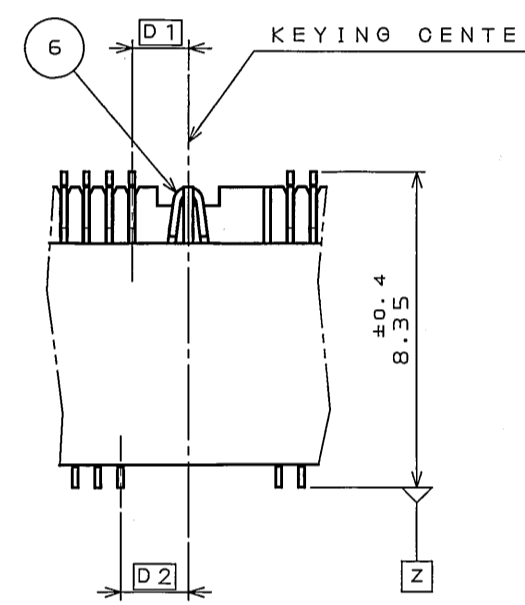
SOCKET TYPE  
ソケットタイプ  
B:LATCH TYPE SMT

KEYING TYPE (DETAIL A)  
キイタイプ  
2:TYPE B(1.8V)  
1:TYPE A(2.5V)

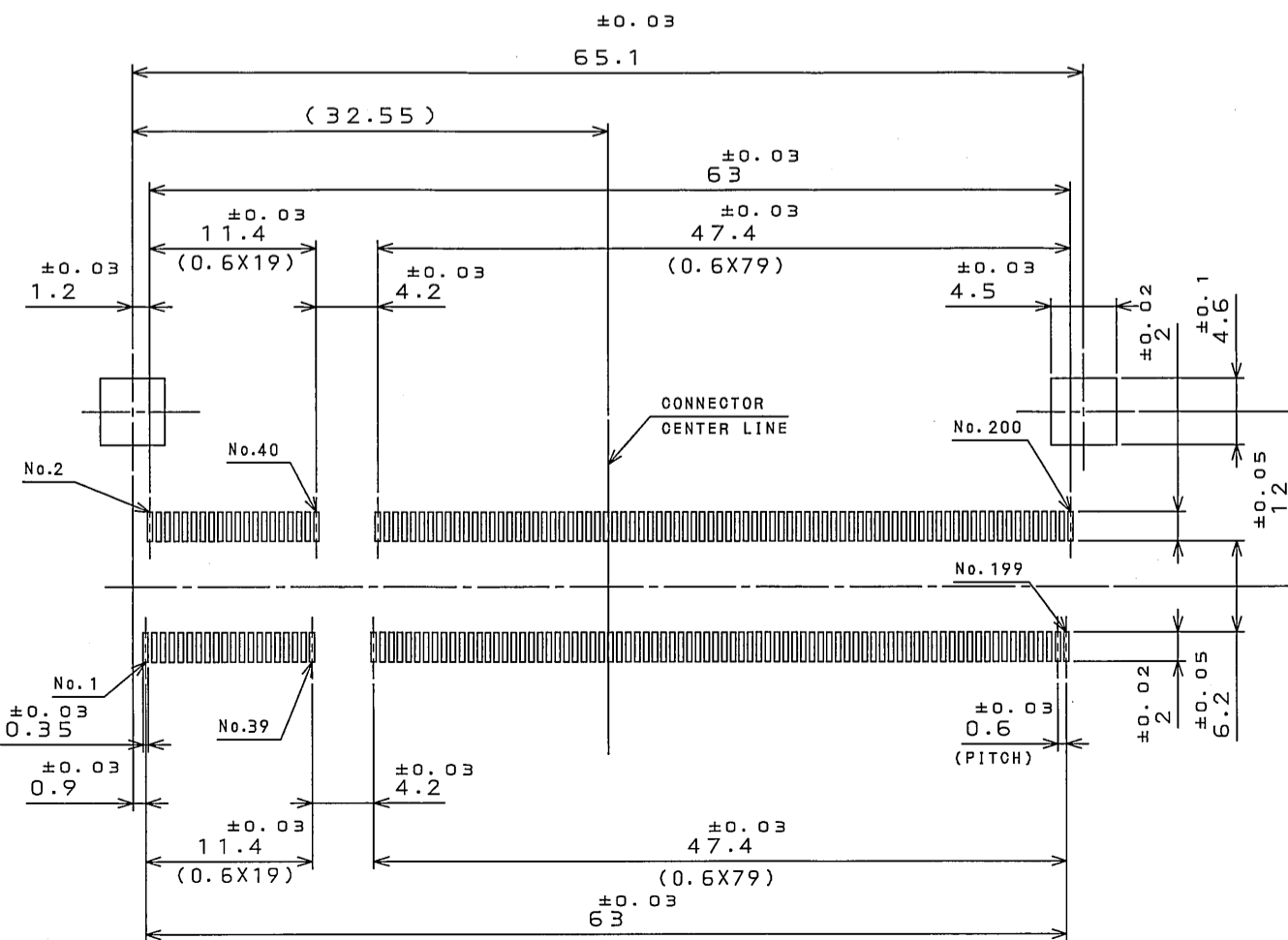
TABLE 2

DISCRIMINATION MARK		
PARTS NAME	VOLTAGE MARK	ABRIDGED PART NUMBER
MM50-200B1-C1	2.5V	C1
MM50-200B2-C1	1.8V	2-C1

DETAIL A  
(SCALE 5:1)  
(REF. TABLE 1)



APPLICABLE P.C.B. DIMENSION (REF.)  
適合基板寸法(参考)



APPLICABLE DIMM (REF.)

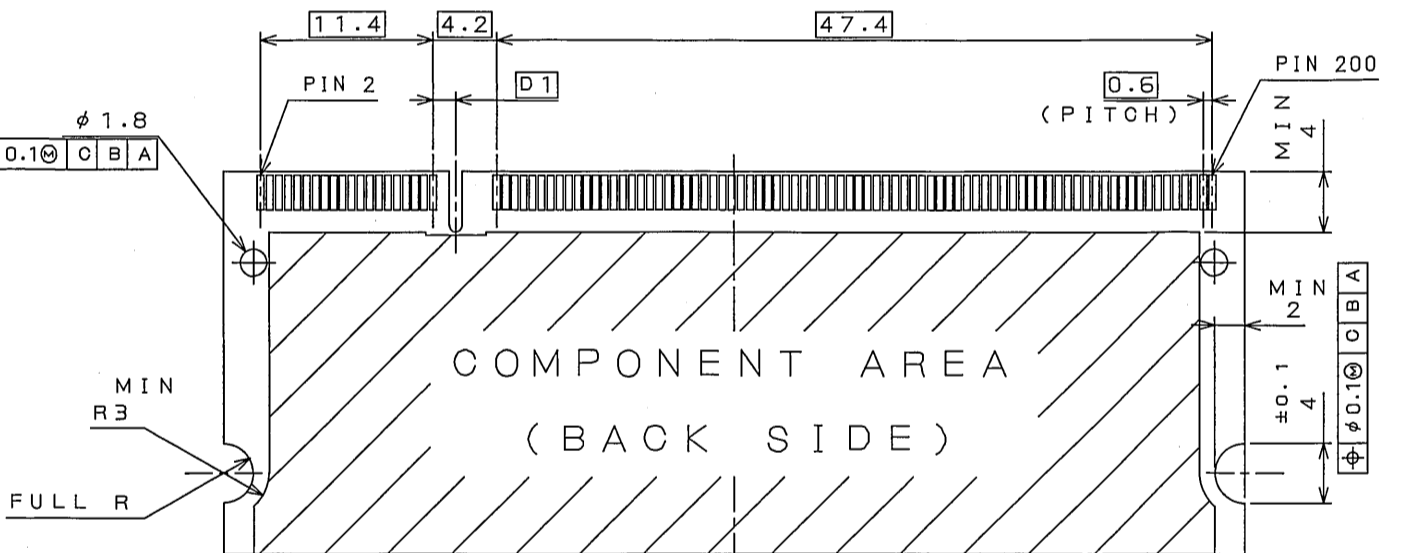
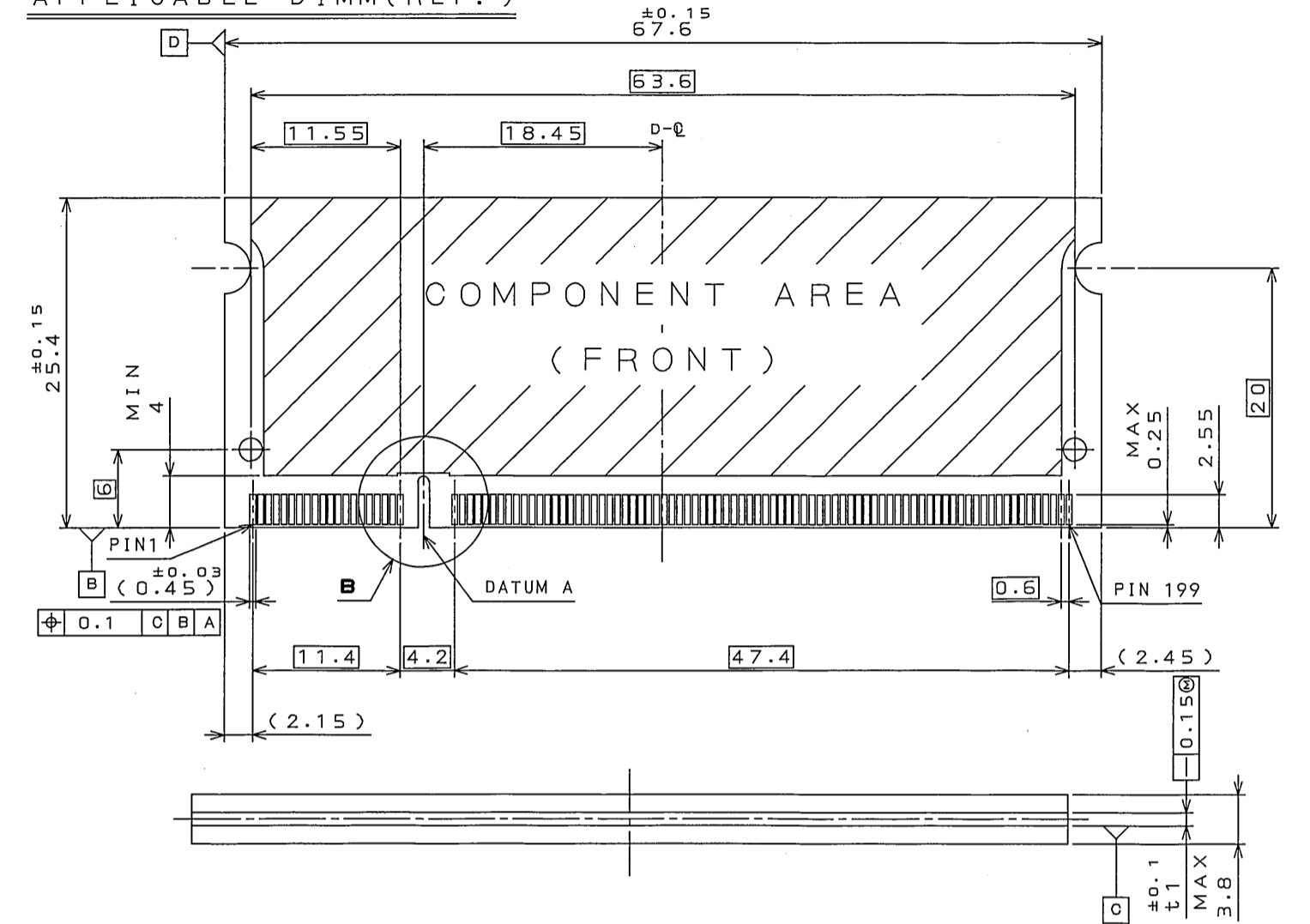
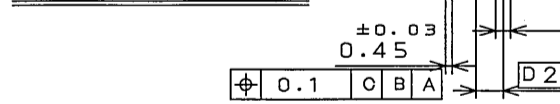


TABLE 1

MECHANICAL KEYING		
POWER SPPLY	D1	D2
2.5V (TYPE A)	1.5	1.8
1.8V (TYPE B)	2.4	2.7

DETAIL B



KEY	1	2	3	4	5	6
KEY	1	2	1	1	1	1
STAINLESS	PHOSPHOR BRONZE	PHOSPHOR BRONZE	PHOSPHOR BRONZE	PHOSPHOR BRONZE	PHOSPHOR BRONZE	PHOSPHOR BRONZE
TIN LEAD OVER NICKEL	TIN LEAD OVER NICKEL	TIN LEAD OVER NICKEL	TIN LEAD OVER NICKEL	TIN LEAD OVER NICKEL	TIN LEAD OVER NICKEL	TIN LEAD OVER NICKEL
GLASS FILLED LCP	GLASS FILLED LCP	GLASS FILLED LCP	GLASS FILLED LCP	GLASS FILLED LCP	GLASS FILLED LCP	GLASS FILLED LCP
CONTACT AREA: Au(0.1μm MIN) OVER NI	CONTACT AREA: Au(0.1μm MIN) OVER NI	CONTACT AREA: Au(0.1μm MIN) OVER NI	CONTACT AREA: Au(0.1μm MIN) OVER NI	CONTACT AREA: Au(0.1μm MIN) OVER NI	CONTACT AREA: Au(0.1μm MIN) OVER NI	CONTACT AREA: Au(0.1μm MIN) OVER NI
SOLDERING AREA: GOLD FLASH OVER NI	SOLDERING AREA: GOLD FLASH OVER NI	SOLDERING AREA: GOLD FLASH OVER NI	SOLDERING AREA: GOLD FLASH OVER NI	SOLDERING AREA: GOLD FLASH OVER NI	SOLDERING AREA: GOLD FLASH OVER NI	SOLDERING AREA: GOLD FLASH OVER NI
UL94 V-0	UL94 V-0	UL94 V-0	UL94 V-0	UL94 V-0	UL94 V-0	UL94 V-0
COLOR WHITE	COLOR WHITE	COLOR WHITE	COLOR WHITE	COLOR WHITE	COLOR WHITE	COLOR WHITE

NO.	DESCRIPTION	QTY.	MATERIAL	FINISH	REMARKS
6	KEY	1	STAINLESS		
5	HOLD DOWN 2	1	PHOSPHOR BRONZE	TIN LEAD OVER NICKEL	
4	HOLD DOWN 1	1	PHOSPHOR BRONZE	TIN LEAD OVER NICKEL	
3	INSULATOR	1	GLASS FILLED LCP		UL94 V-0 COLOR WHITE
2	BOTTOM SIDE CONTACT	100	PHOSPHOR BRONZE	CONTACT AREA: Au(0.1μm MIN) OVER NI SOLDERING AREA: GOLD FLASH OVER NI	
1	TOP SIDE CONTACT	100	PHOSPHOR BRONZE	CONTACT AREA: Au(0.1μm MIN) OVER NI SOLDERING AREA: GOLD FLASH OVER NI	

仕様書 (SPECIFICATION)	第1版 (ORIGINAL DATE)	尺 (SCALE)	図 (SERIES)
JACS-1655-01	18.Jun.2001	MM50	-200B*-C1
製図 DR.	担当 CHK.	査閲 APPD.	承認 APPD.
Y.YAHIRO	Y.YAHIRO	K.SUZUKI	K.SUZUKI
重量 (WEIGHT)	図面番号 (DRAWING NO.)	版数 (REV.)	
	SJ036117	5	

DOF-0-213E(03.08)

