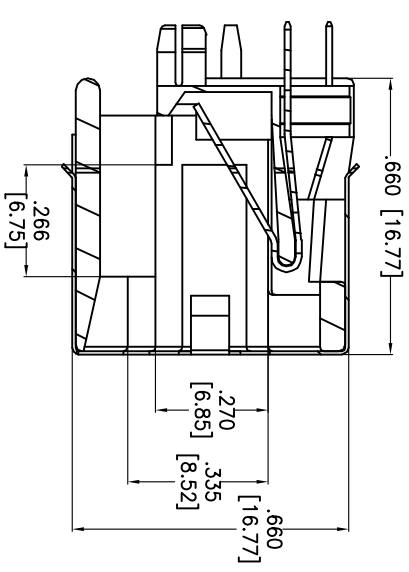
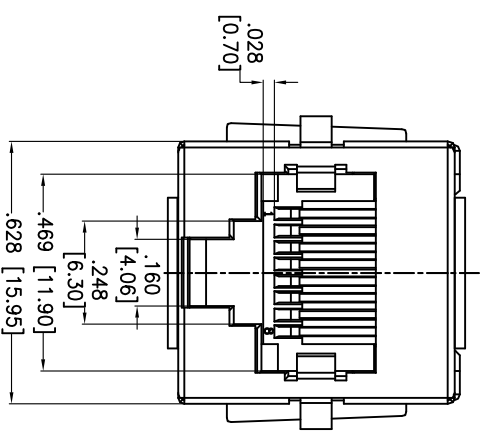
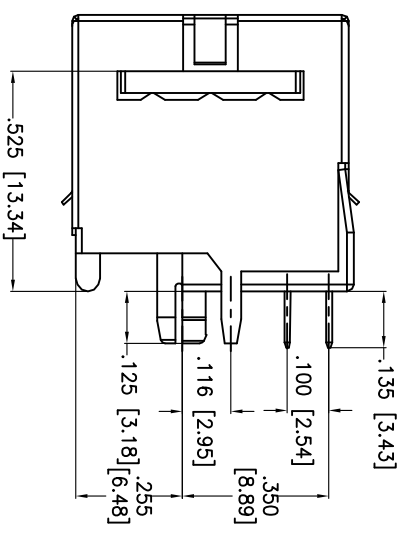
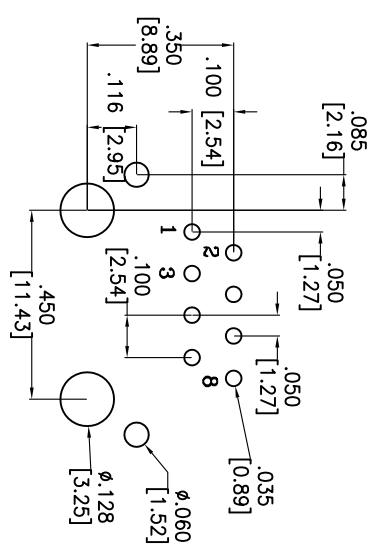
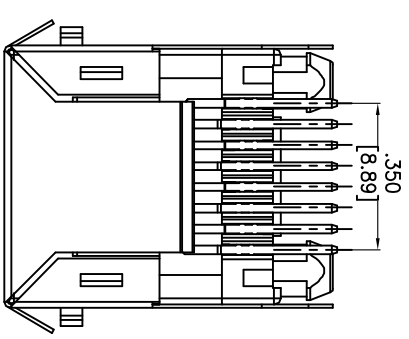


Rev	AWO #	Description	Date	Appr
-		RELEASED	2/11/10	

APPROVED: _____
 DATE: _____ TITLE: _____



X	PLATING
0	15 µin Gold
1	30 µin Gold
2	50 µin Gold



RECOMMENDED PCB LAYOUT

SPECIFICATIONS:

Material: Insulator: PA66, glass reinforced, rated UL 94V-0
 Insulator color: Black
 Contacts: Phosphor Bronze
 Shield: Brass, Nickel plated
 Contact Plating: Gold Flash over Nickel underplate on contact area, Tin over Copper underplate on tails
 (See chart for thickness).

Electrical:

Voltage rating: 125 VAC RMS
 Current Rating: 1.5 Amp
 Contact Resistance: 35 mohms Min
 Insulation Resistance: 1000 mohms Min @ 500VDC
 Dielectrically Strength: 1000 VAC RMS
 Temperature Rating: Operating temperature: -40°C to +85°C

Environmental:

Lead free, RoHS compliant.
 Recommended soldering temp: 235°C for 5 sec.



UNLESS OTHERWISE SPECIFIED
 ALL DIMENSIONS ARE INCHES [MM]
 TOLERANCES: EXCEPT AS NOTED
 INCHES: .X ± .10 Ø.X ± .015
 .XX ± .020 Ø.XXX ± .010
 .XXX ± .015 Ø.XXXX ± .010

ADAM TECH
 909 Railway Avenue, Union, NJ 07083
 Phone: 908-687-5000 Fax: 908-687-5710

APPROVALS	DATE	TITLE	SIZE	PART NO.	REV.
DRAWN	DY	2/11/10			
CHECKED					
APPROVED			X	MTJ-88FX1-01-FSY-PG	