

NICHIA CORPORATION

SPECIFICATIONS FOR FULL COLOR LED

NSSM227AT

- Pb-free Reflow Soldering Application
- RoHS Compliant
- RGB Sorted (RGB die lit separately.)

SPECIFICATIONS

(1) Absolute Maximum Ratings

| Item | Symbol | Absolute Maximum Rating | | | Unit |
|-------------------------|-----------|-------------------------|-------|-----|------|
| | | Blue | Green | Red | |
| Forward Current | I_F | 25 | 35 | 50 | mA |
| Pulse Forward Current | I_{FP} | 80 | 110 | 150 | mA |
| Reverse Voltage | V_R | 5 | | | V |
| Power Dissipation | P_D | 88.7 | 124 | 127 | mW |
| Total Power Dissipation | P_{TOT} | 160 | | | mW |
| Operating Temperature | T_{opr} | -30~85 | | | °C |
| Storage Temperature | T_{stg} | -40~100 | | | °C |
| Junction Temperature | T_J | 100 | 100 | 100 | °C |

* Absolute Maximum Ratings at $T_A=25^\circ\text{C}$.

* I_{FP} conditions with pulse width $\leq 10\text{ms}$ and duty cycle $\leq 10\%$.

* The absolute maximum Power Dissipation per die.

* The absolute maximum Power Dissipation in total per package.

(2) Initial Electrical/Optical Characteristics

| Item | Symbol | Condition | Typ | | | Unit |
|-------------------------|--------|---|----------|-------|-------|---------------|
| | | | Blue | Green | Red | |
| Forward Voltage | V_F | B $I_F=20\text{mA}$ G $I_F=20\text{mA}$ R $I_F=20\text{mA}$ | 3.2 3. | 2 | 2.2 | V |
| Reverse Current | I_R | B $V_R=5\text{V}$ G $V_R=5\text{V}$ R $V_R=5\text{V}$ | - - | | - | μA |
| Luminous Intensity | I_V | B $I_F=20\text{mA}$ G $I_F=20\text{mA}$ R $I_F=20\text{mA}$ | 400 2000 | | 850 | mcd |
| Chromaticity Coordinate | x 0. | B $I_F=20\text{mA}$ G $I_F=20\text{mA}$ R $I_F=20\text{mA}$ | 133 | 0.189 | 0.700 | - |
| | y | | 0.075 0. | 718 | 0.299 | |

* Characteristics at $T_A=25^\circ\text{C}$.

* Luminous Intensity value as per CIE 127:2007 standard.

* Chromaticity Coordinates as per CIE 1931 Chromaticity Chart.

RANKS

| Item | Blue | | | Green | | | Red | | | Unit |
|--------------------|--------|------|------|-------|------|------|--------|------|------|------|
| | Rank | Min | Max | Rank | Min | Max | Rank | Min | Max | |
| Forward Voltage | - | 2.80 | 3.55 | - | 2.75 | 3.55 | - | 1.80 | 2.55 | V |
| Reverse Current | - | - | 50 | - | - | 50 | - | - | 50 | μA |
| Luminous Intensity | BT | 445 | 560 | GT | 2222 | 2800 | RT | 950 | 1200 | mcd |
| | BS | 352 | 445 | GS | 1764 | 2222 | RS | 755 | 950 | |
| | BR 280 | | 352 | GR | 1400 | 1764 | RR 600 | | 755 | |

Color Ranks

Blue

| | Rank W1 | | | |
|---|----------|--------|--------|-----|
| x | 0.139 0. | 129 0. | 145 0. | 152 |
| y | 0.035 0. | 050 0. | 072 0. | 056 |

| | Rank W2 | | | |
|---|---------|-------|-------|-------|
| x | 0.129 | 0.113 | 0.134 | 0.145 |
| y | 0.050 | 0.080 | 0.105 | 0.072 |

Green

| | Rank G1m | | | |
|---|----------|--------|--------|-----|
| x | 0.166 0. | 136 0. | 176 0. | 201 |
| y | 0.676 0. | 739 0. | 750 0. | 686 |

| | Rank G2m | | | |
|---|----------|-------|-------|-------|
| x | 0.201 | 0.176 | 0.220 | 0.237 |
| y | 0.686 | 0.750 | 0.745 | 0.684 |

Red

| | Rank R8 | | | |
|---|---------|--------|--------|--------|
| x | 0.6742 | 0.6598 | 0.6915 | 0.7080 |
| y | 0.2958 | 0.3106 | 0.3083 | 0.2920 |

* Ranking at T_A=25°C.

* Tolerance of measurements of the Forward Voltage is ±0.05V.

* Tolerance of measurements of the Luminous Intensity is ±10%.

* Tolerance of measurements of the Chromaticity Coordinate is ±0.01.

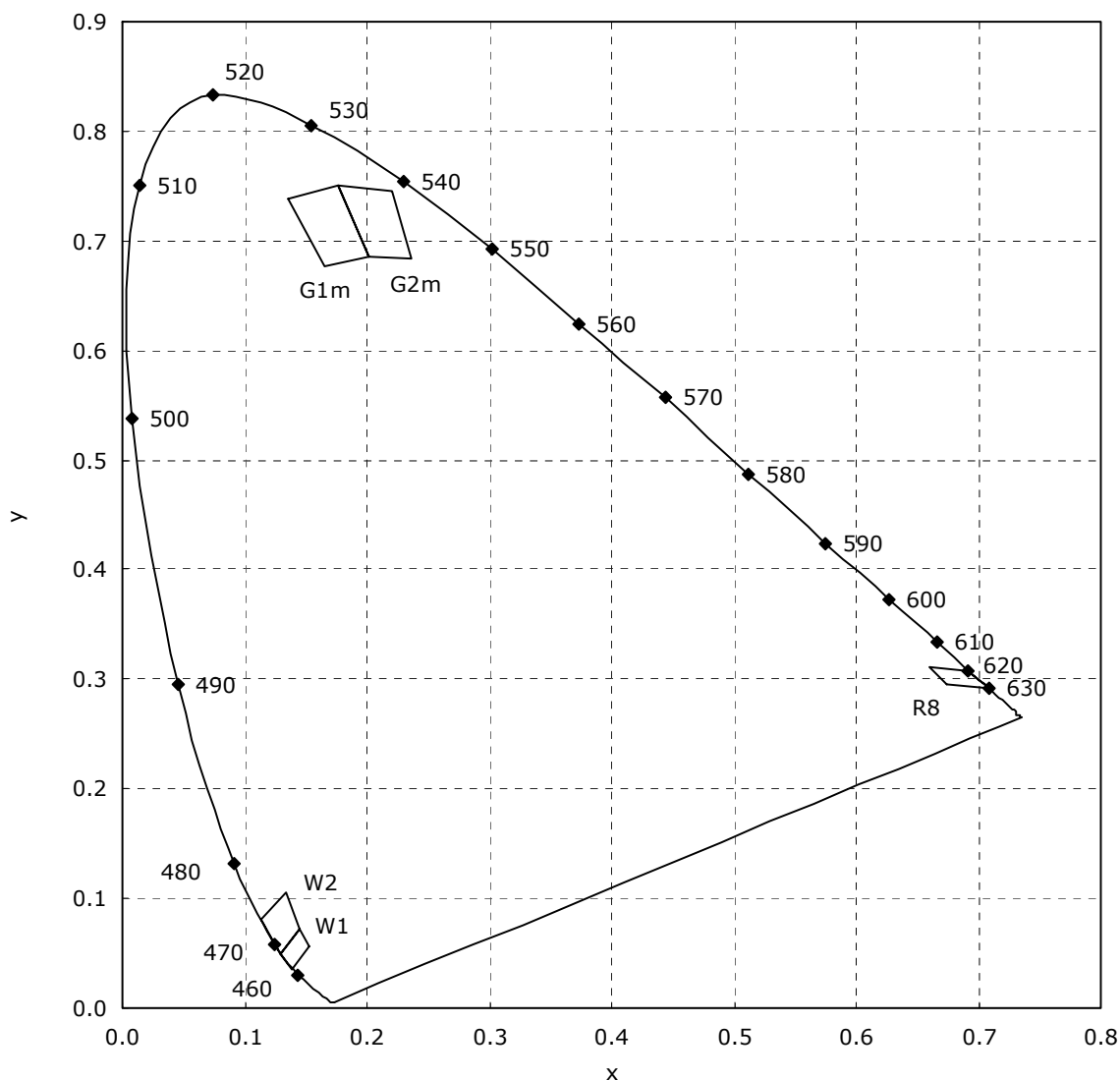
* A shipment shall consist of LEDs in a combination of the above ranks.

The percentage of each rank in the shipment shall be determined by Nichia.

Luminous Intensity Ranks by Color Rank

| Ranking by Color Coordinates | Ranking by Luminous Intensity | | | | | | | | |
|---------------------------------|----------------------------------|----|----|----|----|----|----|----|----|
| | BR | BS | BT | GR | GS | GT | RR | RS | RT |
| W1 | | | | | | | | | |
| W2 | | | | | | | | | |
| G1m,G2m | | | | | | | | | |
| R8 | | | | | | | | | |

CHROMATICITY DIAGRAM

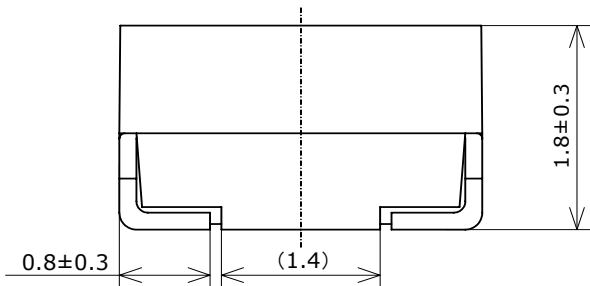
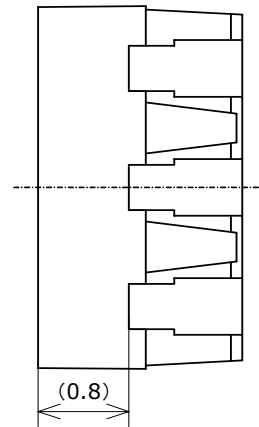
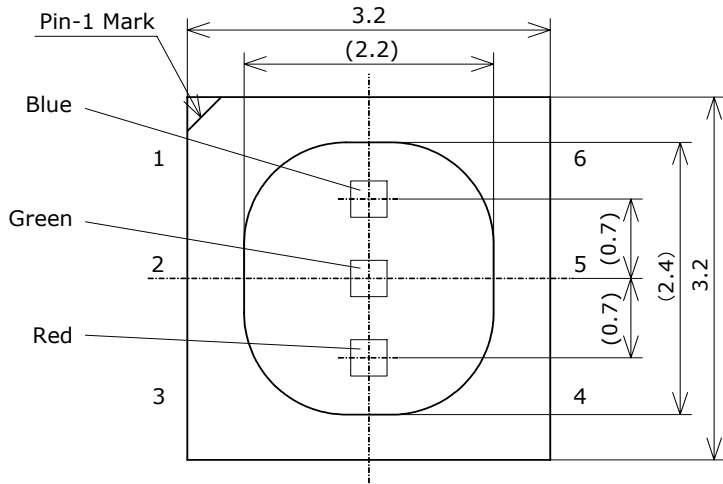


OUTLINE DIMENSIONS

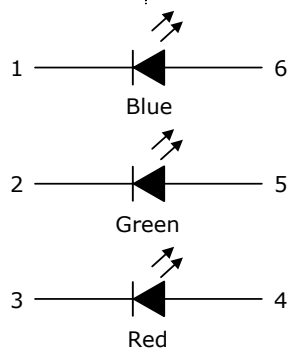
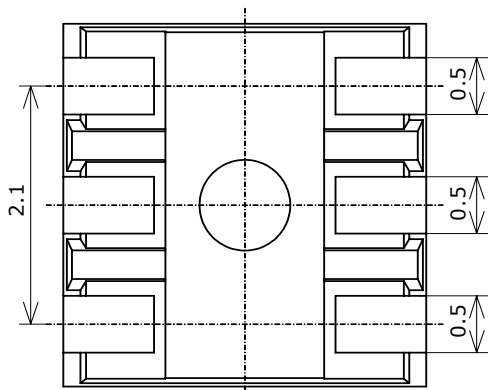
* 本製品はRoHS指令に適合しております。
This product complies with RoHS Directive.

NSSM227x
管理番号 No. STS-DA7-1098A

(単位 Unit: mm, 公差 Tolerance: ±0.2)



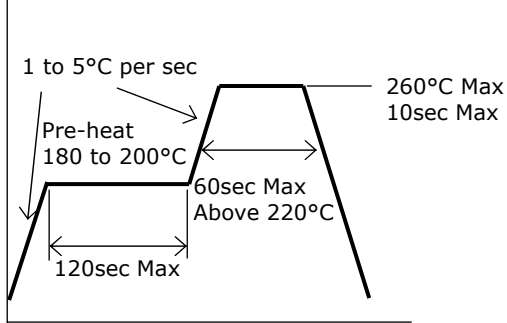
| 項目 Item | 内容 Description |
|---|---|
| パッケージ材質 Package Materials | 黒色耐熱性ポリマー Black Heat-resistant Polymer |
| 封止樹脂材質 Encapsulating Resin Materials | エポキシ樹脂(拡散剤入り) Epoxy Resin(with diffuser) |
| 電極材質 Electrodes Materials | 銅合金+銀メッキ Ag-plated Copper Alloy |
| 質量 Weight | 0.034g(TYP) |



* Redダイ、Blueダイ、Greenダイは カソード側に実装されています。
The Red, Blue and Green die are attached to the Cathode side.

SOLDERING

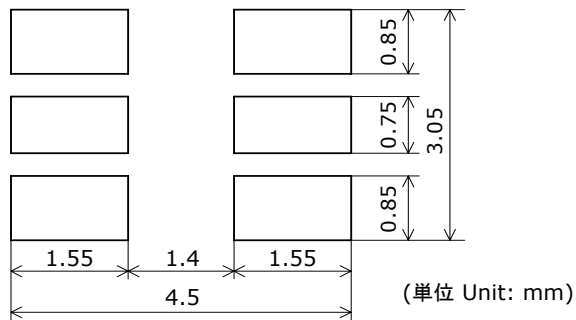
• Recommended Reflow Soldering Condition(Lead-free Solder)



• Recommended Hand Soldering Condition

| | |
|----------------|-----------|
| Temperature | 350°C Max |
| Soldering Time | 3sec Max |

• Recommended Soldering Pad Pattern



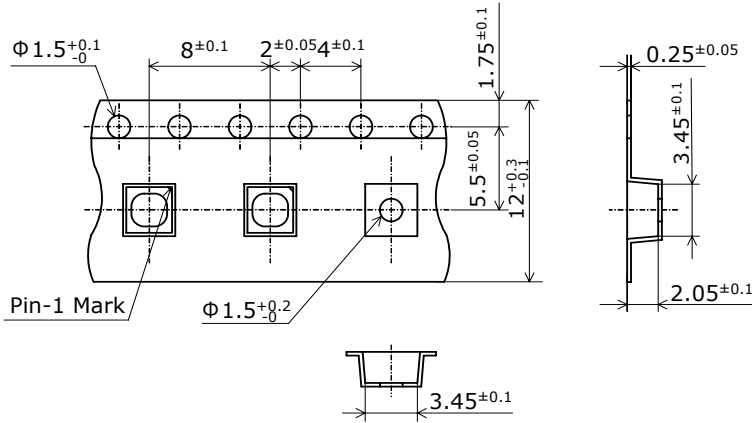
- * This LED is designed to be reflow soldered on to a PCB. If dip soldered, Nichia cannot guarantee its reliability.
- * Reflow soldering must not be performed more than twice. Hand soldering must not be performed more than once.
- * Avoid rapid cooling. Ramp down the temperature gradually from the peak temperature.
- * Nitrogen reflow soldering is recommended. Air flow soldering conditions can cause optical degradation, caused by heat and/or atmosphere.
- * Repairing should not be done after the LEDs have been soldered. When repairing is unavoidable, a double-head soldering iron should be used.
It should be confirmed beforehand whether the characteristics of the LEDs will or will not be damaged by repairing.
- * When soldering, do not apply stress to the LED while the LED is hot.
- * This product can differ in optical characteristics depending on the number of reflow cycles.
In a single display, only LEDs with same number of reflow cycles should be used regardless of the application type, such as rental and/or permanent installations.

TAPE AND REEL DIMENSIONS

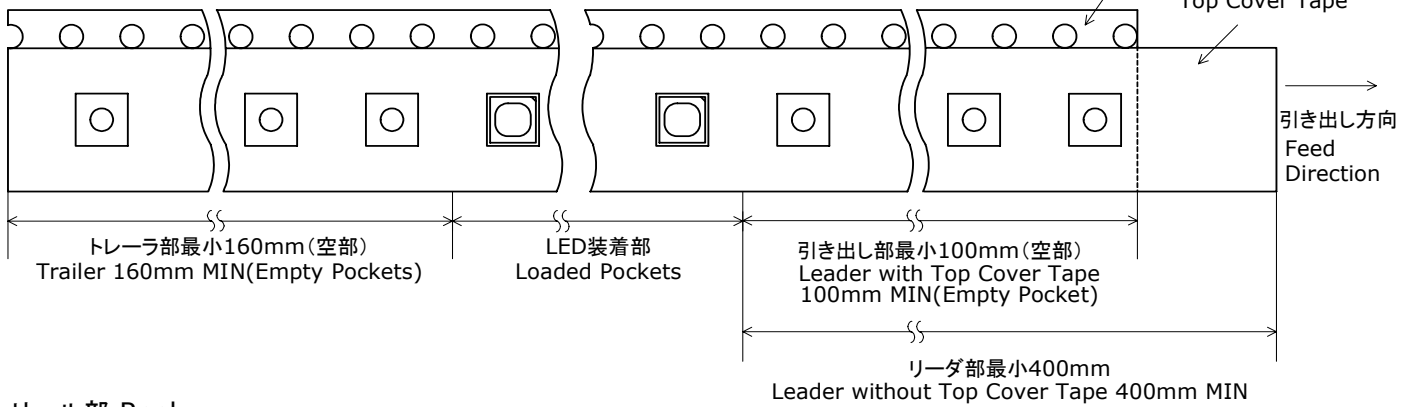
テーピング部 Tape

Nxxx227x
管理番号 No. STS-DA7-1099

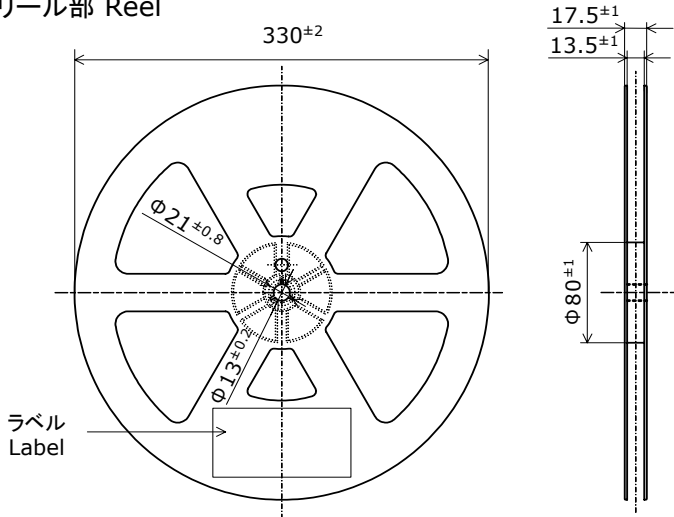
(単位 Unit: mm)



トレーラ部/リーダ部 Trailer and Leader



リール部 Reel



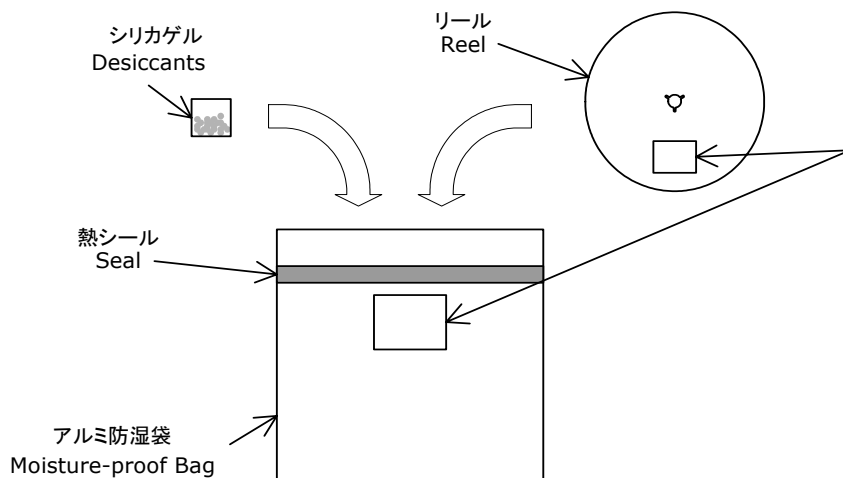
* 数量は1リールにつき 4000個入りです。
Quantity per reel=4000pcs

* JIS C 0806電子部品テーピングに準拠しています。
The tape packing method complies with JIS C 0806
(Packaging of Electronic Components on Continuous Tapes).

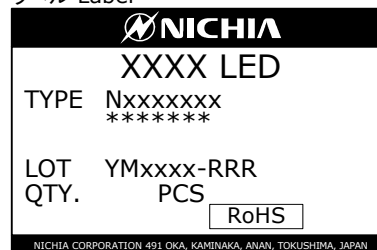
PACKAGING - TAPE & REEL

シリカゲルとともにリールをアルミ防湿袋に入れ、熱シールにより封をします。
Reels are shipped with desiccants in heat-sealed moisture-proof bags.

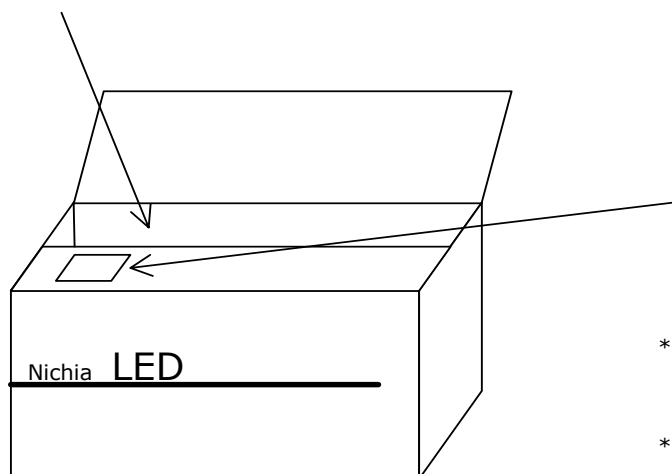
Nxxxxxxx
管理番号 No. STS-DA7-0006B



ラベル Label



アルミ防湿袋を並べて入れ、ダンボールで仕切ります。
Moisture-proof bags are packed in cardboard boxes with corrugated partitions.



ラベル Label



- * 客先型名を*****で示します。
客先型名が設定されていない場合は空白です。
***** is the customer part number.
If not provided, it is not indicated on the label.
- * ロット表記方法についてはロット番号の項を参照して下さい。
For details, see "LOT NUMBERING SCHEME" in this document.
- * ランク分けがない場合はランク表記はありません。
The label does not have the RANK field for un-ranked products.

- * 本製品はテーピングしたのち、輸送の衝撃から保護するためダンボールで梱包します。
Products shipped on tape and reel are packed in a moisture-proof bag.
They are shipped in cardboard boxes to protect them from external forces during transportation.
- * 取り扱いに際して、落下させたり、強い衝撃を与えたりしますと、製品を損傷させる原因になりますので注意して下さい。
Do not drop or shock the box. It may damage the products.
- * ダンボールには防水加工がされておきませんので、梱包箱が水に濡れないよう注意して下さい。
Do not expose to water, the box is not water-resistant.
- * 輸送、運搬に際して弊社よりの梱包状態あるいは同等の梱包を行って下さい。
Using an original packaging material or equivalent in transit is recommended.

LOT NUMBERING SCHEME

Lot Number is presented by using the following alphanumeric code.

YMxxxx - RRR

Y - Year

| Year | Y |
|--------|---|
| 2009 | 9 |
| 2010 | A |
| 2011 | B |
| 2012 | C |
| 2013 D | |
| 2014 | E |

M - Month

| Month | M | Month | M |
|-------|---|-------|---|
| 1 | 1 | 7 | 7 |
| 2 | 2 | 8 | 8 |
| 3 | 3 | 9 | 9 |
| 4 | 4 | 10 | A |
| 5 | 5 | 11 | B |
| 6 | 6 | 12 | C |

xxxx-Nichia's Product Number

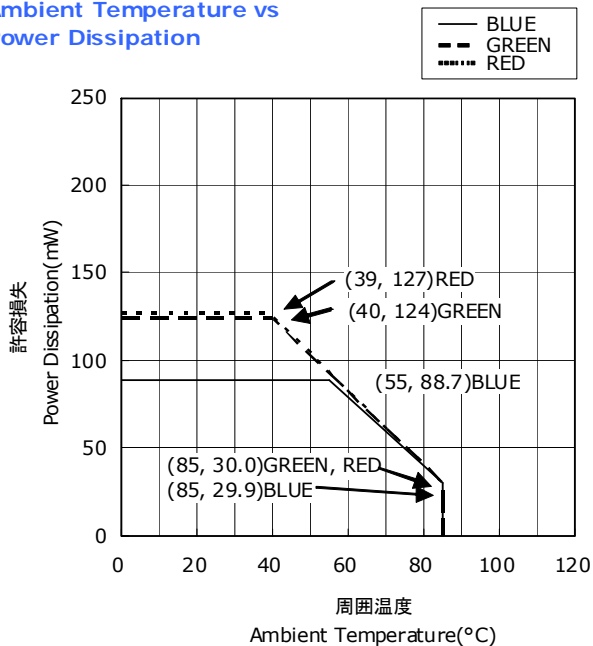
RRR-Rank

* The label does not have the RANK field for un-ranked products.

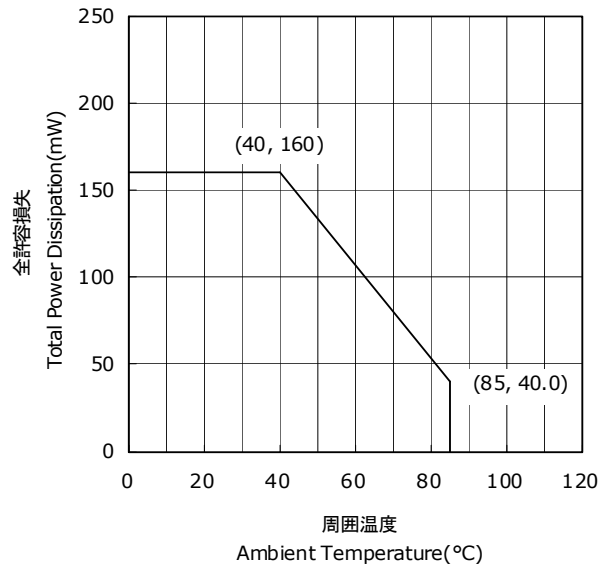
DERATING CHARACTERISTICS

NSSM227A
 管理番号 No. STS-DA7-1095

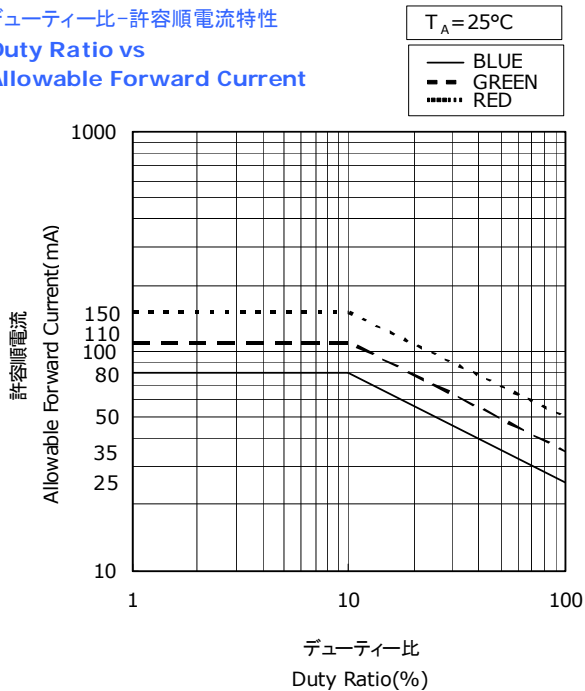
周囲温度-許容損失特性 *
Ambient Temperature vs Power Dissipation



周囲温度-全許容損失特性 **
Ambient Temperature vs Total Power Dissipation



デューティー比-許容順電流特性
Duty Ratio vs Allowable Forward Current



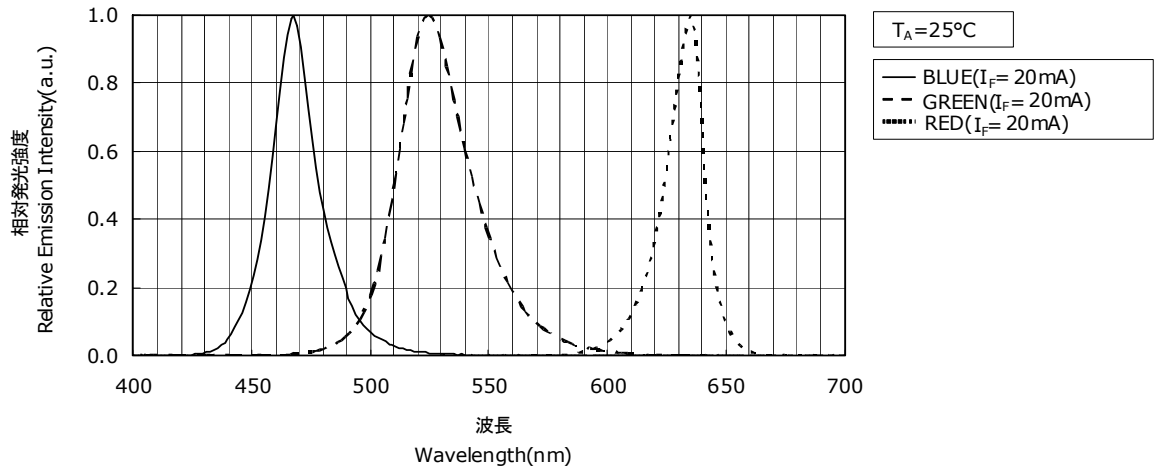
- * 多色点灯の際も、1素子当たりの値はこの定格内におさめて下さい。
 The graph shows the maximum allowable power dissipation for a LED die of each color.
- ** 2素子以上点灯の際は、トータル値を定格内におさめて下さい。
 The graph shows the maximum allowable total power dissipation for a LED package.

OPTICAL CHARACTERISTICS

* 本特性は参考です。
All characteristics shown are for reference only and are not guaranteed.

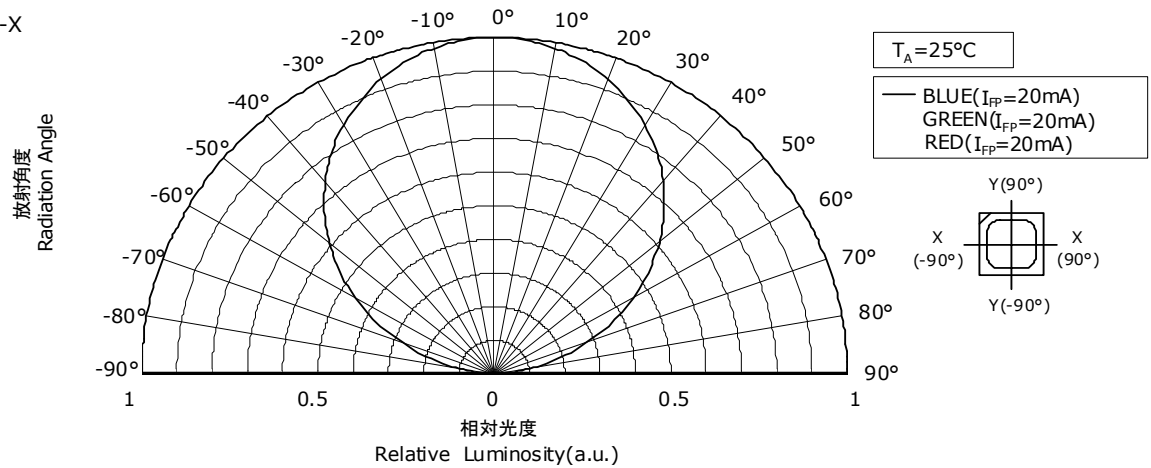
NSSM227A
管理番号 No. STS-DA7-1096

発光スペクトル Spectrum

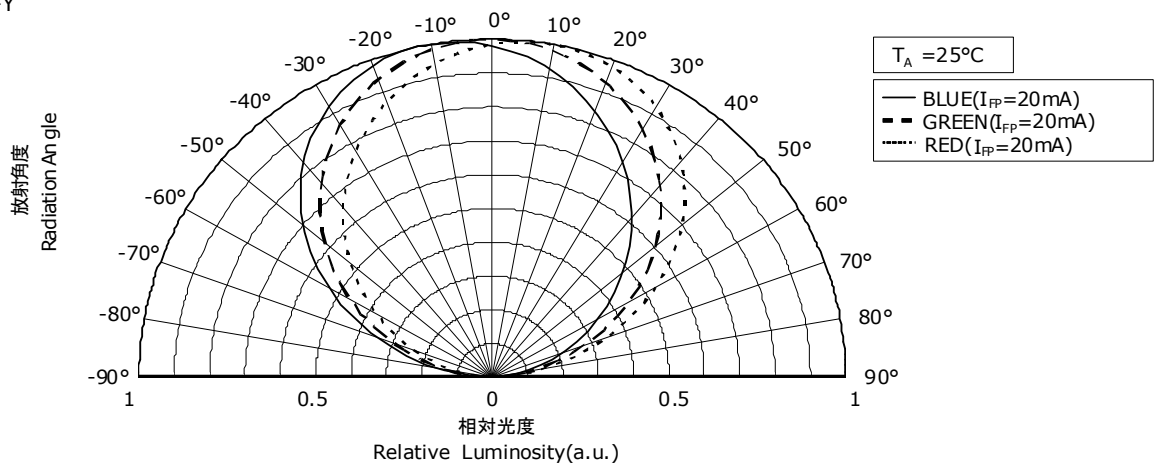


指向特性 Directivity

X-X



Y-Y

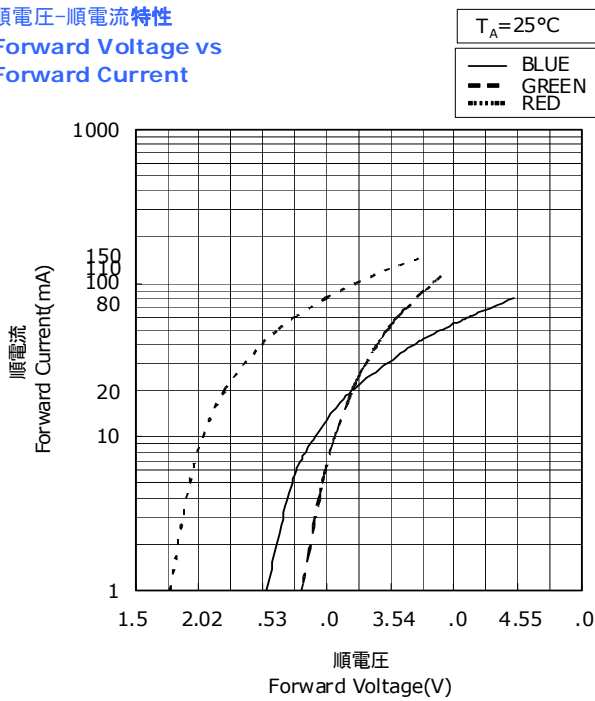


FORWARD CURRENT CHARACTERISTICS / TEMPERATURE CHARACTERISTICS

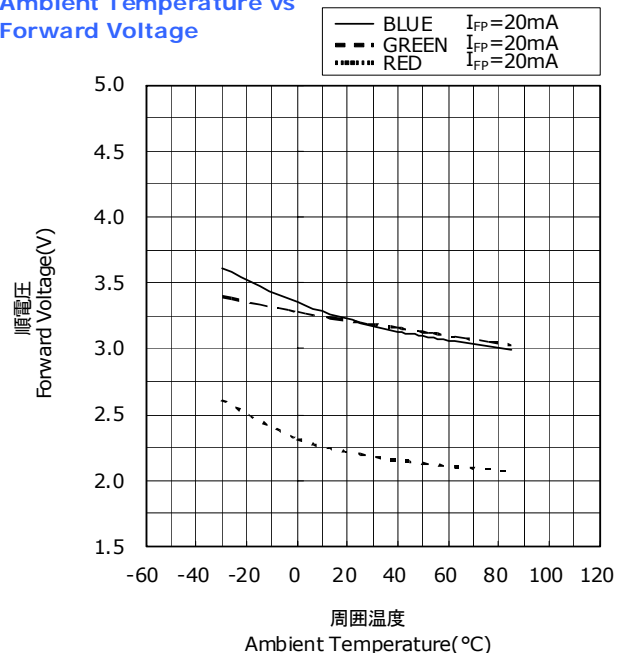
* 本特性は参考です。
All characteristics shown are for reference only and are not guaranteed.

NSSM227A
管理番号 No. STS-DA7-1097

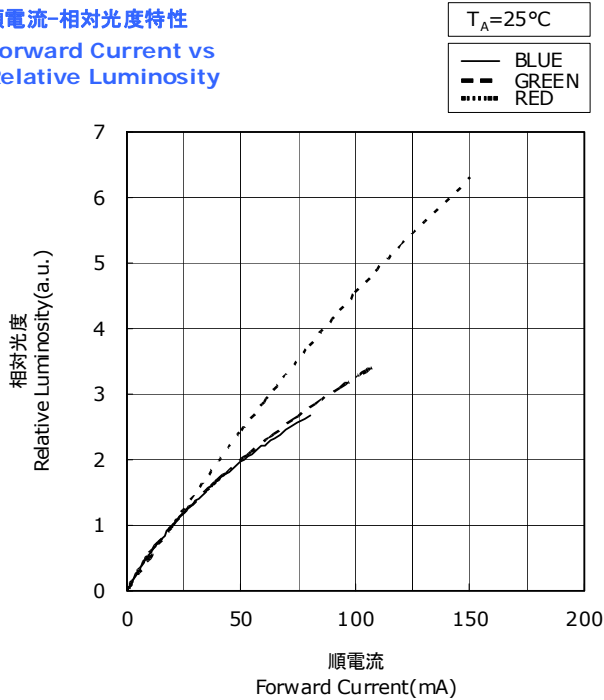
順電圧-順電流特性
Forward Voltage vs
Forward Current



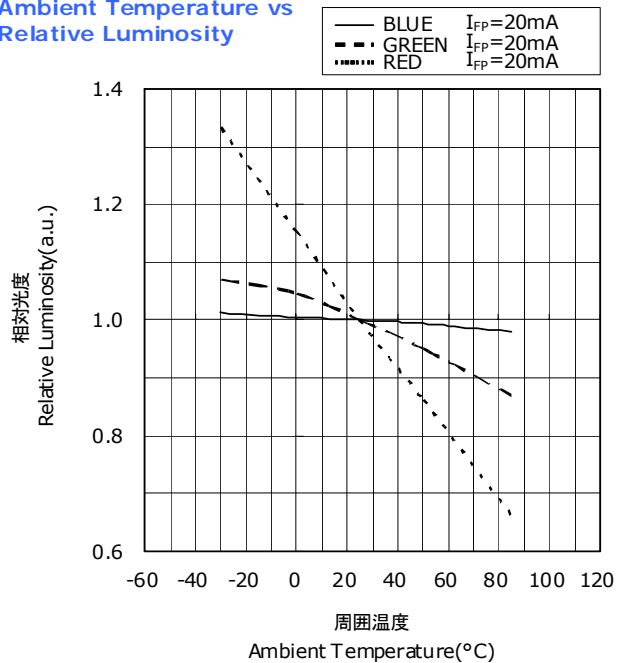
周囲温度-順電圧特性
Ambient Temperature vs
Forward Voltage



順電流-相対光度特性
Forward Current vs
Relative Luminosity



周囲温度-相対光度特性
Ambient Temperature vs
Relative Luminosity



RELIABILITY

(1) Tests and Results

| Test | Reference Standard | Test Conditions | | Test Duration | Failure Criteria # | Units Failed/Tested |
|---|-----------------------|---|---|---------------|--------------------|---------------------|
| Resistance to Soldering Heat (Reflow Soldering) | JEITA ED-4701 300 301 | T _{slid} =260°C, 10sec, 2reflows, Precondition: 30°C, 70%RH, 168hr | | #1 | | 0/22 |
| Temperature Cycle | JEITA ED-4701 100 105 | -40°C(30min)~25°C(5min)~100°C(30min)~25°C(5min) | | 100cycles #1 | | 0/50 |
| Moisture Resistance (Cyclic) | JEITA ED-4701 200 203 | 25°C~65°C~-10°C, 90%RH, 24hr per cycle | | 10cycles #1 | | 0/50 |
| High Temperature Storage | JEITA ED-4701 200 201 | T _A =100°C 500hours | | | #1 | 0/50 |
| Temperature Humidity Storage | JEITA ED-4701 100 103 | T _A =60°C, RH=90% | | 500hours | #1 | 0/50 |
| Low Temperature Storage | JEITA ED-4701 200 202 | T _A =-40°C 500hours | | | #1 | 0/50 |
| Room Temperature Operating Life | | T _A =25°C | B I _F =9mA G I _F =13mA R I _F =15mA | 500hours #1 | | 0/50 |
| Temperature Humidity Operating Life | | 60°C, RH=90% | B I _F =5mA G I _F =7mA R I _F =7mA | 500hours #1 | | 0/50 |
| Low Temperature Operating Life | | T _A =-30°C | B I _F =9mA G I _F =13mA R I _F =15mA | 500hours #1 | | 0/50 |

NOTES:

Measurements are performed after allowing the LEDs to return to room temperature.

(2) Failure Criteria (Value for one LED device (Single color).)

| Criteria # | Items | Conditions | Failure Criteria |
|------------|-------------------------------------|--|------------------|
| #1 | Forward Voltage(V _F) | B I _F =20mA G I _F =20mA R I _F =20mA | >U.S.L.×1.1 |
| | Luminous Intensity(I _V) | B I _F =20mA G I _F =20mA R I _F =20mA | <L.S.L×0.7 |
| | Reverse Current(I _R) | B V _R =5V G V _R =5V R V _R =5V | >U.S.L.×2.0 |

U.S.L. : Upper Specification Limit L.S.L. : Lower Specification Limit

CAUTIONS

(1) Storage

| Conditions | | Temperature | Humidity | Time |
|------------|-----------------------------|-------------|----------|----------------------------------|
| Storage | Before Opening Aluminum Bag | ≤30°C | ≤90%RH | Within 1 Year from Delivery Date |
| | After Opening Aluminum Bag | ≤30°C | ≤70%RH | ≤168hours |
| Baking | | 65±5°C | - | ≥24hours |

- Product complies with JEDEC MSL 3 or equivalent. See IPC/JEDEC STD-020 for moisture-sensitivity details.
- Absorbed moisture in LED packages can vaporize and expand during soldering, which can cause interface delamination and result in optical performance degradation. Products are packed in moisture-proof aluminum bags to minimize moisture absorption during transportation and storage.
Included silica gel desiccants change from blue to red if moisture had penetrated bags.
- After opening the moisture-proof aluminum bag, the products should go through the soldering process within the range of the conditions stated above. Unused remaining LEDs should be stored with silica gel desiccants in a hermetically sealed container, preferably the original moisture-proof bags for storage.
- After the "Period After Opening" storage time has been exceeded or silica gel desiccants are no longer blue, the products should be baked. Baking should only be done once.
- The leads or electrode pads (anode and cathode) of the product are plated with silver. Exposure to a corrosive environment might cause the silver plated the leads or electrode pads to tarnish, and thus leading to difficulties in soldering. If unused LEDs remain, they must be stored in a hermetically sealed container.
Nichia recommends using the original moisture-proof bag for storage.
- Do not use sulfur-containing materials in commercial products. Some materials, such as seals and adhesives, may contain sulfur. The extremely corroded or contaminated plating of LEDs might cause an open circuit. Silicone rubber is recommended as a material for seals. Bear in mind, the use of silicones may lead to silicone contamination of electrical contacts inside the products, caused by low molecular weight volatile siloxane.
- To prevent water condensation, please avoid large temperature and humidity fluctuations for the storage conditions.

(2) Directions for Use

- In designing a circuit, the current through each LED die must not exceed the Absolute Maximum Rating current specified for each die.
It is recommended that each LED die is driven at a constant current.
- When having the two or more dice within this product on at the same time, the total power dissipation for the LED package must be within the absolute maximum value specified in this specification.
- LEDs should be operated in forward bias. Driving circuits must not subject LEDs to either forward or reverse voltage while off. Continuous reverse voltage can cause migration and LED damage.
- For stabilizing the LED characteristics, it is recommended to operate at greater than 10% nominal current.
- Care must be taken to ensure that the reverse voltage will not exceed the Absolute Maximum Rating when using the LEDs with matrix drive.
- For outdoor use, necessary measures should be taken to prevent water, moisture and salt air damage.

(3) Handling Precautions

- Do not handle LEDs with bare hands, it may contaminate the LED surface and affect optical characteristics.
In the worst case, catastrophic failure from excess pressure through wire-bond breaks and package damage may result.
- When handling the product with tweezers, be careful not to apply excessive force to the resin.
Otherwise, The resin can be cut, chipped, delaminate or deformed, causing wire-bond breaks and catastrophic failures.
- Dropping the product may cause damage.
- Do not stack assembled PCBs together. Failure to comply can cause the resin portion of the product to be cut, chipped, delaminated and/or deformed. It may cause wire to break, leading to catastrophic failures.

(4) Design Consideration

- PCB warpage after mounting the products onto a PCB can cause the package to break.
The LED should be placed in a way to minimize the stress on the LEDs due to PCB bow and twist.
- The position and orientation of the LEDs affect how much mechanical stress is exerted on the LEDs placed near the score lines.
The LED should be placed in a way to minimize the stress on the LEDs due to board flexing.
- Board separation must be performed using special jigs, not using hands.

(5) Electrostatic Discharge (ESD)

- The products are sensitive to static electricity or surge voltage. ESD can damage a die and its reliability.
When handling the products, the following measures against electrostatic discharge are strongly recommended:
 - Eliminating the charge
 - Grounded wriststrap, ESD footwear, clothes, and floors
 - Grounded workstation equipment and tools
 - ESD table/shelf mat made of conductive materials
- Proper grounding is required for all devices, equipment, and machinery used in product assembly.
Surge protection should be considered when designing of commercial products.
- If tools or equipment contain insulating materials such as glass or plastic, the following measures against electrostatic discharge are strongly recommended:
 - Dissipating static charge with conductive materials
 - Preventing charge generation with moisture
 - Neutralizing the charge with ionizers
- The customer is advised to check if the LEDs are damaged by ESD when performing the characteristics inspection of the LEDs in the application.
Damage can be detected with a forward voltage measurement or a light-up test at low current ($\leq 1\text{mA}$).
- LEDs with ESD-damaged dice (i.e. other than red) may have an increased leakage current, current flow at a low voltage, or no longer illuminate at a low current.
Failure Criteria: $V_F < 2.0\text{V}$ at $I_F = 0.5\text{mA}$

(6) Thermal Management

- Proper thermal management is an important when designing products with LEDs. LED die temperature is affected by PCB thermal resistance and LED spacing on the board. Please design products in a way that the LED die temperature does not exceed the maximum Junction Temperature (T_J).
- Drive current should be determined for the surrounding ambient temperature (T_A) to dissipate the heat from the product.

(7) Cleaning

- If required, isopropyl alcohol (IPA) should be used. Other solvents may cause premature failure to the LEDs due to the damage to the resin portion. The effects of such solvents should be verified prior to use.
In addition, the use of CFCs such as Freon is heavily regulated.
- Ultrasonic cleaning is not recommended since it may have adverse effects on the LEDs depending on the ultrasonic power and how LED is assembled.
If ultrasonic cleaning must be used, the customer is advised to make sure the LEDs will not be damaged prior to cleaning.

(8) Eye Safety

- In 2006, the International Electrical Commission (IEC) published IEC 62471:2006 Photobiological safety of lamps and lamp systems, which added LEDs in its scope.
On the other hand, the IEC 60825-1:2007 laser safety standard removed LEDs from its scope.
However, please be advised that some countries and regions have adopted standards based on the IEC laser safety standard IEC 60825-1:2011/2001, which still includes LEDs in its scope.
Most of Nichia's LEDs can be classified as belonging into either the Exempt Group or Risk Group 1.
High-power LEDs, that emit light containing blue wavelengths, may be classified as Risk Group 2.
Please proceed with caution when viewing directly any LEDs driven at high current, or viewing LEDs with optical instruments which may greatly increase the damages to your eyes.
- Viewing a flashing light may cause eye discomfort. When incorporating the LED into your product, please be careful to avoid adverse effects on the human body caused by light stimulation.

(9) Others

- The LEDs described in this brochure are intended to be used for ordinary electronic equipment (such as office equipment, communications equipment, measurement instruments and household appliances).
Consult Nichia's sales staff in advance for information on the applications in which exceptional quality and reliability are required, particularly when the failure or malfunction of the LEDs may directly jeopardize life or health (such as for airplanes, aerospace, submersible repeaters, nuclear reactor control system, automobiles, traffic control equipment, life support systems and safety devices).
- The customer shall not reverse engineer by disassembling or analysis of the LEDs without having prior written consent from Nichia. When defective LEDs are found, the customer shall inform Nichia directly before disassembling or analysis.
- Both the customers and Nichia will agree on official specifications of supplied products before a customer's volume production.
- Specifications and appearance subject to change for improvement without notice.