



Precision 4 Hole Flange 2.92mm Female to 2.92mm Female Adapter

TECHNICAL DATA SHEET

PE9648

Precision 4 Hole Flange 2.92mm Female to 2.92mm Female Adapter

Configuration

Connector 1	2.92mm Female
Impedance 1	50 Ohms
Connector 2	2.92mm Female
Impedance 2	50 Ohms
Adapter Design	Precision
Body Style	Straight
Mount Method	4 Hole Flange

Electrical Specifications

Frequency Range, GHz	DC to 40
Maximum VSWR	1.35:1

Frequency 1

Frequency, GHz	DC to 18
VSWR	1.15:1

Frequency 2

Frequency, GHz	18 to 26.5
VSWR	1.25:1

Mechanical Specifications

Temperature

Operating Range, deg C	-65 to +125
------------------------	-------------

Size

Length, in [mm]	0.79 [20.07]
Width/Dia., in [mm]	0.5 [12.7]
Height, in [mm]	0.5 [12.7]

Connector 1

Type	2.92mm Female
------	---------------

Connector 2

Type	2.92mm Female
------	---------------

Compliance Certifications (visit www.Pasternack.com for current document)

RoHS Compliant	Yes
----------------	-----

Click the following link (or enter part number in "SEARCH" on website) to obtain additional part information including price, inventory and certifications: [Precision 4 Hole Flange 2.92mm Female to 2.92mm Female Adapter PE9648](#)

The information contained in this document is accurate to the best of our knowledge and representative of the part described herein. It may be necessary to make modifications to the part and/or the documentation of the part, in order to implement improvements. Pasternack reserves the right to make such changes as required. Unless otherwise stated, all specifications are nominal.



Precision 4 Hole Flange 2.92mm Female
to 2.92mm Female Adapter

TECHNICAL DATA SHEET

PE9648

Plotted and Other Data

Notes:

Values at 25 °C, sea level

URL: <http://www.pasternack.com/2.92mm-female-2.92mm-female-straight-adapter-pe9648-p.aspx>

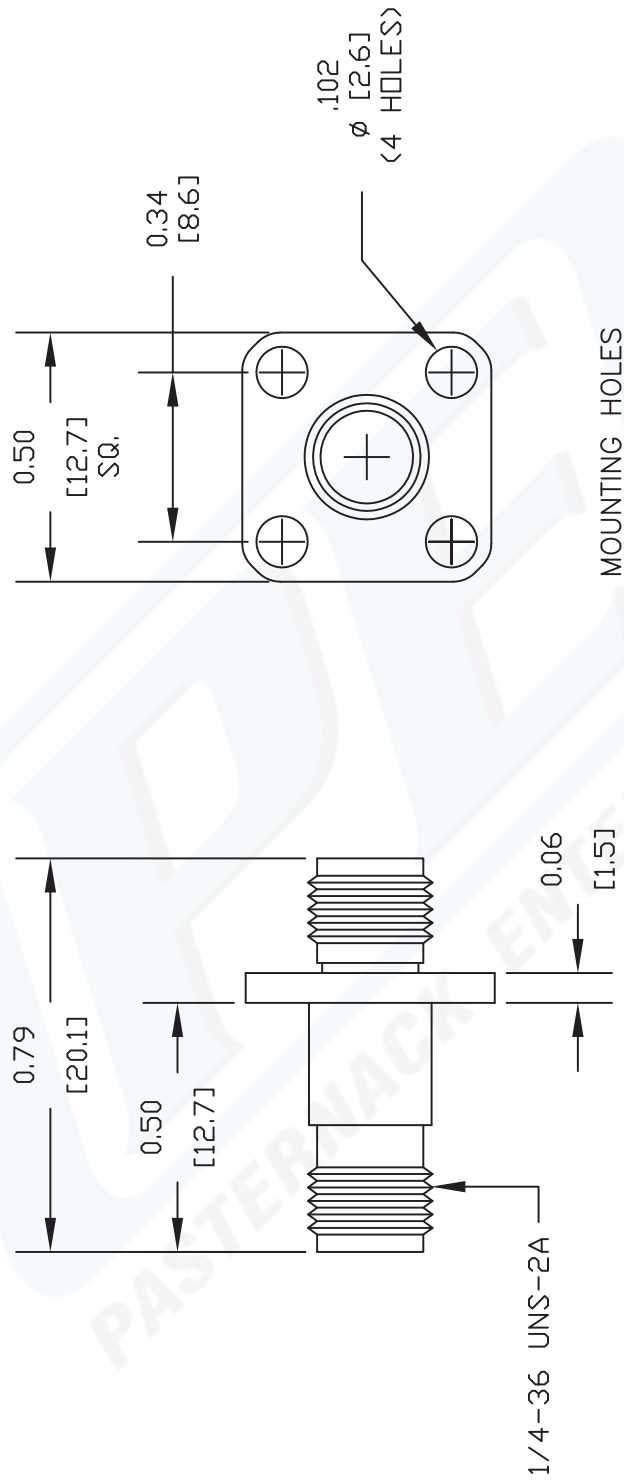
Precision 4 Hole Flange 2.92mm Female to 2.92mm Female Adapter from Pasternack Enterprises has same day shipment for domestic and International orders. Our RF, microwave and fiber optic products maintain a 99% availability and are part of the broadest selection in the industry.

The information contained in this document is accurate to the best of our knowledge and representative of the part described herein. It may be necessary to make modifications to the part and/or the documentation of the part, in order to implement improvements. Pasternack reserves the right to make such changes as required. Unless otherwise stated, all specifications are nominal.



PE9648 CAD Drawing

Precision 4 Hole Flange 2.92mm Female to 2.92mm Female Adapter



NOTES:
1. UNLESS OTHERWISE SPECIFIED ALL DIMENSIONS ARE NOMINAL.
2. ALL SPECIFICATIONS ARE SUBJECT TO CHANGE WITHOUT NOTICE AT ANY TIME.
3. DIMENSIONS ARE IN INCHES (mm).

DWG TITLE
PE9648

REV. C

FSCM NO. 53919

CAD FILE 042210

SCALE N/A

SIZE A

127

PASTERNAK ENTERPRISES, INC.
P.O. BOX 16759, IRVINE, CA 92623
PHONE (949) 261-1920 FAX (949) 261-7451
WEB ADDRESS: www.pasternack.com
E-MAIL ADDRESS: sales@pasternack.com
COAXIAL & FIBER OPTICS

