



PL00101 Series SMD LED 1206 Package

Features

- *Flat lens package 3.2 x 1.6 x 1.4mm with reflector cup
- *Small 30° viewing angle
- *Compatible with IR solder-process
- *Industry standard footprint
- *3000 pcs per reel
- *RoHS compliant

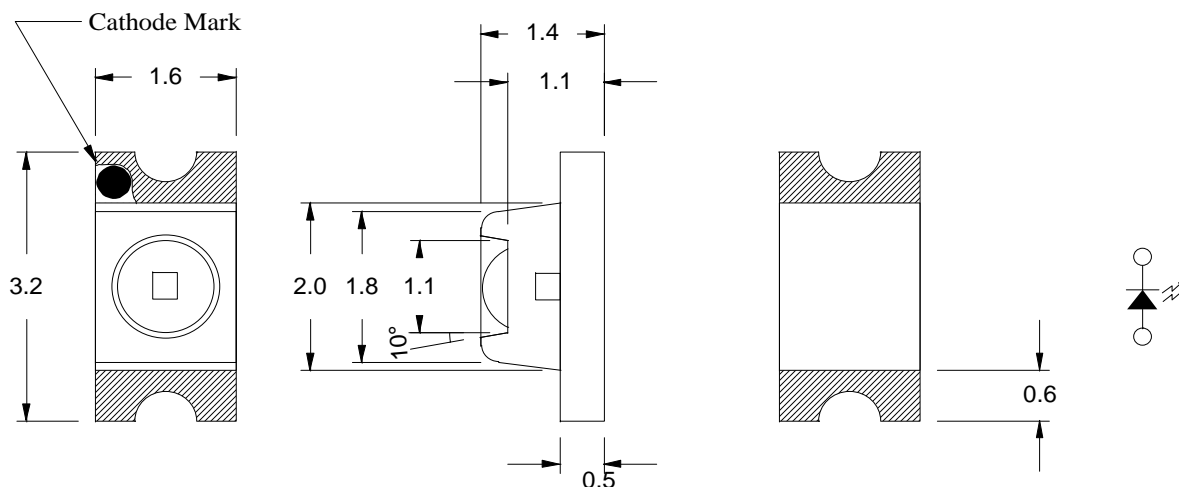
Absolute Maximum Ratings at $T_A = 25^\circ\text{C}$

Power Dissipation.....	84mW
Reverse Voltage (<100 μA)	5.0V
Max Forward Current	30mA
Peak Forward Current(1/10 Duty Cycle, 0.1ms Pulse Width)	100mA
Operating Temperature Range	-40°C to +85°C
Storage Temperature Range	-40°C to +85°C
Reflow Soldering Temperature.....	260°C for 10 seconds

Electrical & Optical Characteristics at $T_A = 25^\circ\text{C}$

Part Number	Emitting Color	Chip Material	Peak Wave Length	Dominant Wave Length	Viewing Angle 2 θ 1/2	Forward Voltage @20mA (V)		Luminous Intensity @20mA (mcd)	
						Typ	Max	Min	Typ
Water Clear Lens			nm	nm	Deg				
PL00101-WCG25	Ultra-bright Green	InGaN	523	524	30°	3.3	3.5	450.0	720.0

Package Dimensions are in **Millimeters**. Tolerance is $\pm 0.25\text{mm}$ unless otherwise specified.



Recommended Soldering Pad Layout

