

High Precision Primary-Side Off-line PWM Power Switch

Features

- 5uA ultra-low startup current
- 2mA Low operating current
- $\pm 5\%$ Constant Voltage Regulation at Universal AC input
- Primary-side Sensing and Regulation Without TL431 and Opto-coupler
- Programmable CV and CC Regulation
- Built-in Primary winding inductance compensation
- Programmable cable drop compensation
- Built-in soft start
- Built-in Leading-edge blanking
- Cycle by cycle over current protection (OCP)
- VCC over voltage clamp & under voltage lockout(UVLO)
- Maximum Gate output voltage clamped at 12V
- Frequency jittering
- Ultra low standby power (<100mW)

Applications

Low power AC/DC offline SMPS for

- Cell Phones/Cordless phones Charger
- Digital Cameras Charger
- Small Power Adapter
- Auxiliary Power for PC, TV etc.
- Linear Regulator/RCC Replacement

General Description

WS3253 is a high-integrated offline PWM power switch, optimized for high performance low power AC/DC charger and adapter application.

WS3253 operates in primary-side sensing and regulation. Consequently, optocoupler and TL431 could be eliminated, thus reduce the cost. It can achieve $\pm 5\%$

constant voltage precision in full input voltage range. CC/CV Control as shown in fig.1. In CC Control, the current and output power setting can be adjusted externally by the sense resistor R_s at CS pin. In CV control, multi-mode operations are utilized to achieve high performance and high efficiency. In addition, good load regulation is achieved by the built-in cable drop compensation. Device operates in PFM in CC mode as well at large load condition and it operates in PWM with frequency reduction at light/medium load.

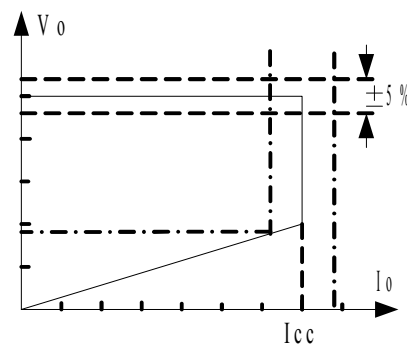
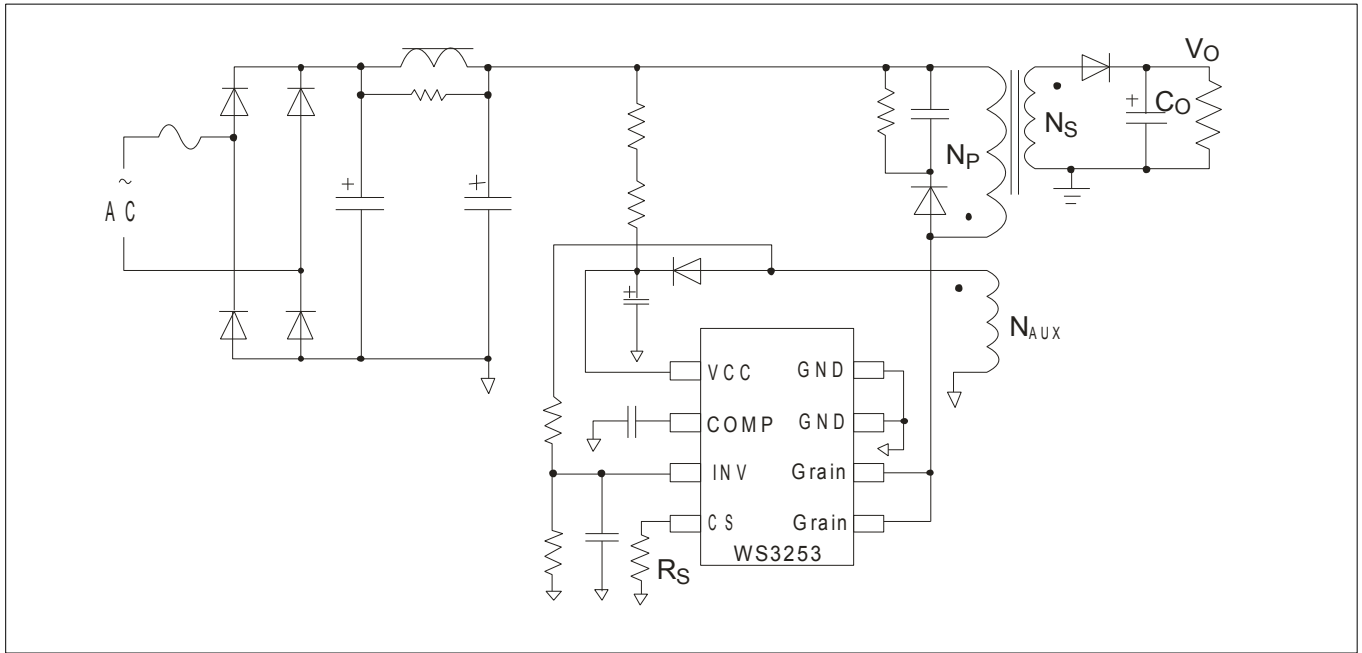


Fig.1 Typical CC/CV Curve

WS3253 offers power on soft start control and protection coverage with auto-recovery features including Cycle-by-Cycle current limiting, VCC OVP, VCC clamp and UVLO. The gate-driven output is clamped to maximum 12V to protect the internal MOSFET. Excellent EMI performance is achieved by using the soft-switching and frequency jittering at the totem-pole-gate-drive output. The WS3253 is the ideal substitute of the linear power supply or the RCC-mode power, for a better performance of the whole switch power system and a lower cost.

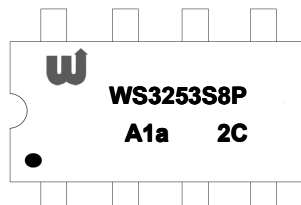
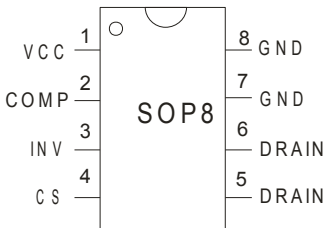
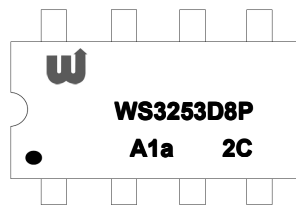
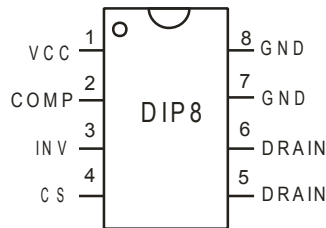
WS3253 is available in DIP8 and SOP8 package.

Typical Application Circuit



Pin Definition and Device Marking

WS3253 is available in DIP8 and SOP8 package:

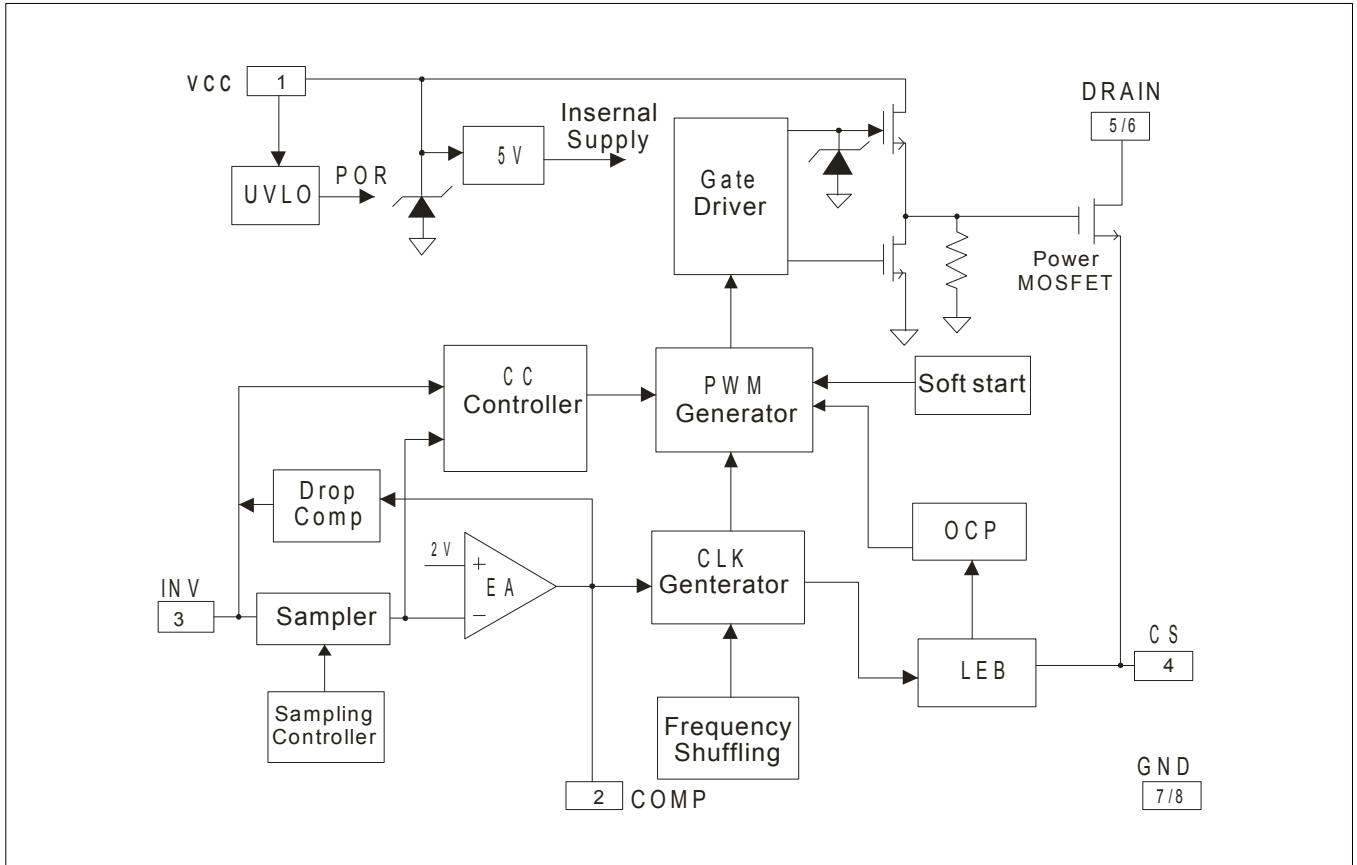


D: DIP8 S: SOP P: no Pb
 A: wafer information;
 1: Ver.; a: Package Code
 2C: Y+M(2=2012 C=12 Month
 (1,2...A=10,B=11,C=12)

Pin Function Description

Pin Name	Pin Number	Pin Type	Function Description
VCC	1	Power	Power supply
COMP	2	Loop Compensation	Loop Compensation for CV Stability
INV	3	Feedback Input	The voltage feedback from auxiliary winding. Connected to resistor divider from auxiliary winding reflecting output voltage. PWM duty cycle is determined by EA output and current sense signal at pin4.
CS	4	Current Monitoring	Current sense input.
DRAIN	5/6	Power transistor drain	This pin connects directly to the primary lead of the transformer.
GND	7/8	GND	Ground

Block Diagram



Output Power Table

Product	230VAC±15%	85-264VAC
	Adapter1	Adapter1
WS3253	8W	5W

Note: Maximum practical continuous power in an Adapter design with sufficient drain pattern as a heat sink, at 50°C ambient.

Ordering Information

Package	IC Marking Information	Purchasing Device Name
8-Pin DIP-8, Pb-free	WS3253D8P	WS3253D8P
8-SOP8, Pb-free	WS3253S8P	WS3253S8P

Recommended Operating Condition

Symbol	Parameter	Value	Unit
VCC	VCC supply voltage	10~30	V
T _A	Operating temperature	-20~85	°C

Absolute Maximum Ratings

Symbol	Parameter	Value	Unit
Drain voltage(off-state)	Drain Voltage (off state)	-0.3~600	V
VCC	DC supply voltage	30	V
V _{INV}	INV input voltage	-0.3~7	V
V _{CS}	CS input voltage	-0.3~7	V
V _{COMP}	COMP input voltage	-0.3~7	V
T _J	Max. Operating junction temperature	150	°C
T _{STG}	Min./Max. Storage temperature	-55~150	°C
I _{CC}	VCC Clamp Continuous Current	10	mA

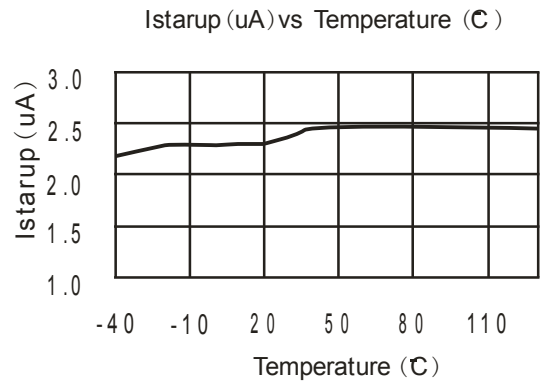
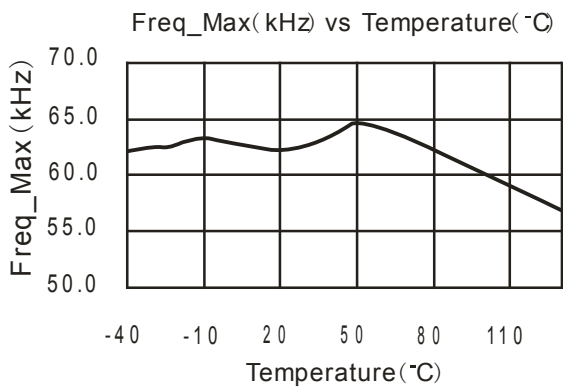
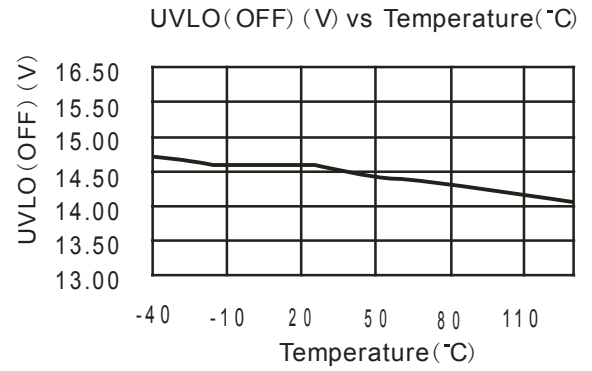
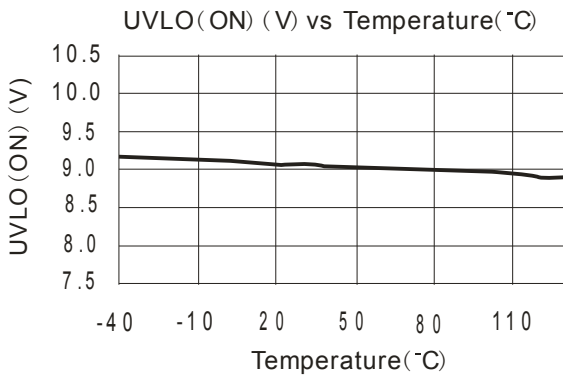
Note: Stresses above those listed under Absolute Maximum Ratings may cause permanent damage to the device. These are stress ratings only, functional operation of the device at these or any other conditions beyond those indicated in the Recommended Operating Conditions section are not implied. Exposure to absolute maximum-rated conditions for extended periods may affect device reliability.

Electrical Characteristics ($T_A=25^{\circ}\text{C}$, $V_{DD}=16\text{V}$, $R_I=26\text{Kohm}$, if not otherwise noted)

Supply Voltage (VCC)						
symbol	parameter	Test condition	Min	Typ	Max	Unit
I_VCC_ST	Start up current	VCC=13V		5	20	uA
I_VCC_OP	Operation Current	VCC=18V,INV=2V,CS=0V		2	3	mA
UVLO_ON	Turn on threshold Voltage	VCC falling	8.2	9.0	10.5	V
UVLO_OFF	Turn-off threshold Voltage	VCC rising	13.5	14.8	16.0	V
VCC_Clamp	VCC Zener Clamp Voltage	IVCC=10mA	28	29	31	V
OVP	Over voltage protection Threshold	Ramp VCC until gate shut down	27	28.3	30	V
Error Amplifier Section						
Vref_EA	Reference voltage for EA		1.935	1.975	2.015	V
Gain	DC gain of EA			60		dB
I_comp_max	Max. Cable compensation current	INV=2V,COMP=0V		37.5		uA
Current Sense Section						
TLEB	Leading edge Blanking Time			625		ns
Z _{sense}	Input impedance		50			k Ω
T _{D_OC}	OCP control delay			110		ns
V _{TH_OC}	OCP threshold		0.895	0.91	0.925	V
T _{ss}	Soft start time			17		ms
Oscillator Section						
Freq_Max	IC Maximum frequency		60	67.5	75	khz
Freq_Nom	System nominal switch frequency			60		khz
Freq_startup		INV=0V,COMP=5V		14		khz
$\Delta f/\text{Freq}$	Frequency shuffling range			± 6		%
MOSFET Section						
BV _{dss}	MOSFET Drain-Source breakdown voltage		600			V
R _{on}	Static Drain to Source on resistance			12		Ω

Note: 1. Freq_Max indicates IC internal maximum clock frequency. In system application, the maximum operation frequency of 70 kHz nominal occurs at maximum output power or the transition point from CV to CC.

Typical Operating Characteristics($T_A=25^{\circ}\text{C}$, $V_{DD}=16\text{V}$, $R_I=26\text{k}\Omega$, if not otherwise noted)



Function Description

WS3253 is a high-integrated offline PWM power switch, optimized for high performance low power AC/DC charger and adapter application. WS3253 operates in primary-side sensing and regulation. Consequently, opto-coupler and TL431 could be eliminated, thus reduce the cost. High precision CC/CV control can meet most adapter and charger application requirements.

Startup Current and Startup Control

Startup current of WS3253 is designed to be extremely low at 5uA, so that VCC could be charged up above UVLO threshold level and device starts up quickly. A large value startup resistor can therefore be used to minimize the power loss, predigest the design of startup circuit and provides reliable startup in application.

Operating Current

The operating current of WS3253 is low at 2mA. Excellent efficiency is achieved with low operating current together and multi-mode control circuit.

CC/CV Operation

WS3253 is designed to produce good CC/CV control characteristic as shown in the fig.1. In charger applications, a discharged battery charging starts in the CC portion of the curve until it is nearly full charged and smoothly switches to operate in CV portion of the curve. In an AC/DC adapter, the normal operation occurs only on the CV portion of the curve. The CC portion provides output current limiting. In CV operation, the output voltage is regulated through the primary side control. In CC operation mode, WS3253 will regulate the output current constant regardless of the output voltage drop.

Principle of Operation

To achieve high precision CC/CV control, system needs to be designed in DCM mode for flyback system. In DCM mode, the output voltage can be sensed via the auxiliary winding. During MOSFET turn-on time, the load current is supplied from the output filter capacitor Co. The current in

the primary winding ramps up. When MOSFET turns off, the primary current transfers to the secondary at the amplitude of

$$I_s = \frac{N_p}{N_s} * I_p$$

The auxiliary voltage reflects the output voltage, given by

$$V_{AUX} = \frac{N_{AUX}}{N_s} * (V_o + \Delta V)$$

Where ΔV indicates the drop voltage of the output Diode. Via a resistor divider connected between the auxiliary winding and INV, the auxiliary voltage is sampled at the end of the demagnetization and it is hold until the next sampling. The sampled voltage is compared with Vref (2V) and the error is amplified. The error amplifier output COMP reflects the load condition and controls the PWM switching frequency to regulate the output voltage, thus the constant output current can be achieved.

When sampled voltage is below Vref and error amplifier output COMP reaches its maximum, the switching frequency is controlled by the sampled voltage thus the output voltage to regulate the output current, thus the constant output current can be achieved.

Adjustable CC point and Output Power

In WS3253, the CC point and maximum output power can be externally adjusted by external current sense resistor Rs at CS pin. The output power is adjusted through CC point change. The larger Rs, the smaller CC point is, and the smaller output power becomes, and vice versa.

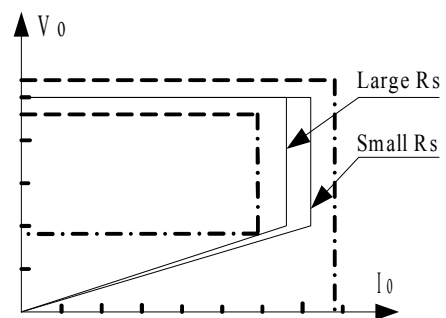


Fig.2 Adjustable output power by changing Rs

Operation switching frequency

The switching frequency of WS3253 is adaptively controlled according to the load conditions and the operation modes. The operation switching frequency at maximum output power is set to 67.5KHz internally. In DCM mode, the maximum output power is given by

$$P_{oMAX} = \frac{1}{2} L_p F_{SW} I_p^2$$

Where L_p indicate the inductance of primary winding and I_p is peak current of primary winding.

The change of the primary winding inductance results in the change of the maximum output power and constant output current in CC mode.

To compensate the change from variations of primary winding inductance, the switching frequency is locked by an internal loop such that the switching frequency is

$$F_{SW} = \frac{1}{2T_{Demag}}$$

Since T_{Demag} is inversely proportional to the inductance, as a result, the product L_p and F_{sw} is constant, thus the maximum output power and constant current in CC mode will not change as primary winding inductance changes. Up to $\pm 10\%$ variation of the primary winding inductance can be compensation.

Frequency Shuffling

Excellent EMI performance is achieved by using frequency jittering in WS3253.

Current Sensing and Leading Edge Blanking

Cycle-by-Cycle current limiting is offered in WS3253. The switch current is detected by a sense resistor into the sense pin. An internal leading edge blanking circuit chops off the sense voltage spike at initial MOSFET on state due to snubber diode reverse recovery so that the external RC filtering on sense input is no longer required. The current limit comparator is disabled and thus cannot turn off the internal MOSFET during the blanking period. PWM duty cycle is determined by the current sense input voltage and the EA output voltage.

Programmable Cable Drop Compensation

Cable drop compensation is implemented to achieve good load regulation in WS3253. An offset voltage is generated at INV by an internal current flowing into the resistor divider. The current is inversely proportional to the voltage across pin COMP, as a result, it is inversely proportional to the output load current, thus the drop due to the cable loss can be compensated. As the load current decreases from full-load to no-load, the offset voltage at INV will increase. It can also be programmed by adjusting the resistance of the divider to compensate the drop for various cable lines used.

Gate Drive

The gate drive strength which is too weak leads to over switch loss of MOSFET while too strong gate drive output compromises in the over EMI. A good tradeoff between output strength and dead time control is achieved through the design of the built-in totem pole gate. The low standby dissipation and good EMI system design is easier to achieve through this dedicated device. For MOSFET gate protection, an internal 12V clamp is added at higher than expected VCC input.

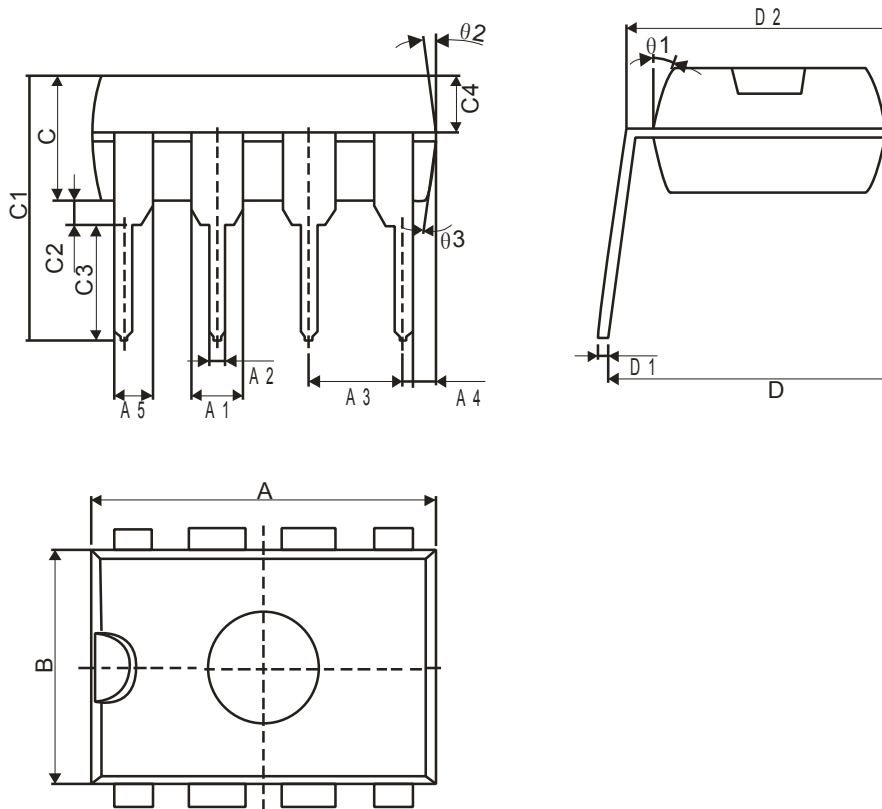
Protection Controls

Excellent system stability is achieved by the comprehensive protection of WS3253. Including Cycle-by-Cycle current limiting (OCP), VCC Clamp, Under Voltage Lockout on VCC (UVLO).

Device restarts when VCC voltage drops below UVLO limit. It is clamped when VCC is higher than threshold value. The power MOSFET is shut down when VCC drops below UVLO limit and device enters power on start-up sequence thereafter.

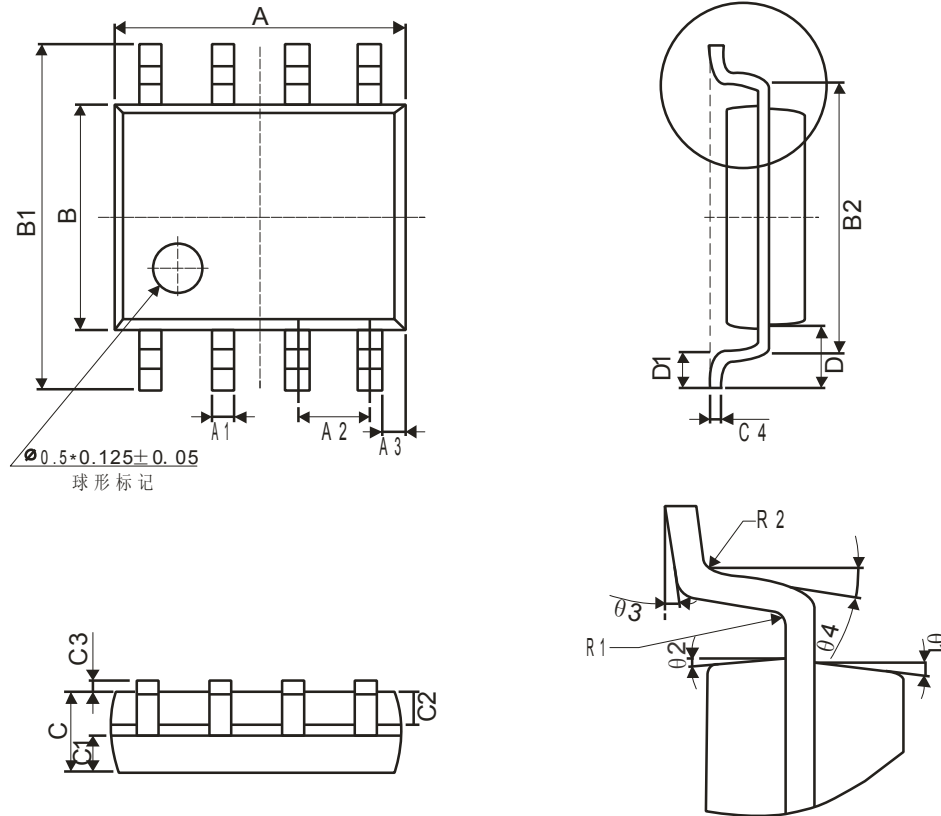
Package Information

DIP-8 Package Outline Dimensions



Winsemi				
Symbol	Dimensions in Millimeters		Dimensions in Inches	
	Min	Max	Min	Max
A	9.00	9.50	0.354	0.374
B	6.10	6.60	0.240	0.260
C	3.0	3.4	0.118	0.134
A1	1.474	1.574	0.058	0.062
A2	0.41	0.53	0.016	0.021
A3	2.44	2.64	0.096	0.104
A4	0.51TYP		0.02TYP	
A5	0.99TYP		0.04TYP	
C1	6.6	7.30	0.260	0.287
C2	0.50TYP		0.02TYP	
C3	3.00	3.40	0.118	0.134
C4	1.47	1.65	0.058	0.065
D	7.62	9.3	0.300	0.366
D1	0.24	0.32	0.009	0.013
D2	7.62TYP		0.3TYP	

SOP-8 Package Dimension



Symbol	Winsemi			
	Dimensions in Millimeters		Dimensions in Inches	
	Min	Max	Min	Max
A	4.70	5.10	0.185	0.201
B	3.70	4.10	0.146	0.161
C	1.30	1.50	0.051	0.059
A1	0.35	0.48	0.014	0.019
A2	1.27TYP		0.05TYP	
A3	0.345TYP		0.014TYP	
B1	5.80	6.20	0.228	0.244
B2	5.00TYP		0.197TYP	
C1	0.55	0.70	0.022	0.028
C2	0.55	0.70	0.022	0.028
C3	0.05	0.225	0.002	0.009
C4	0.203TYP		0.008TYP	
D	1.05TYP		0.041TYP	
D1	0.40	0.80	0.016	0.031

NOTE:

1. We strongly recommend customers check carefully on the trademark when buying our product, if there is any question, please don't be hesitate to contact us.
2. Please do not exceed the absolute maximum ratings of the device when circuit designing.
3. Winsemi Microelectronics Co., Ltd reserved the right to make changes in this specification sheet and is subject to change without prior notice.

CONTACT:

Winsemi Microelectronics Co., Ltd.

ADD: Futian District, ShenZhen Tian An Cyber Tech Plaza two East Wing 1002

Post Code : 518040

Tel : +86-755-8250 6288

FAX : +86-755-8250 6299

Web Site : www.winsemi.com